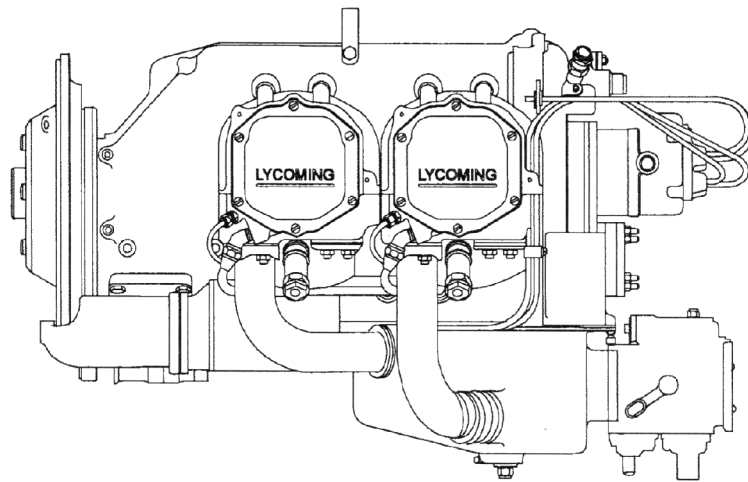


Lycoming Aircraft Engines Parts Catalog

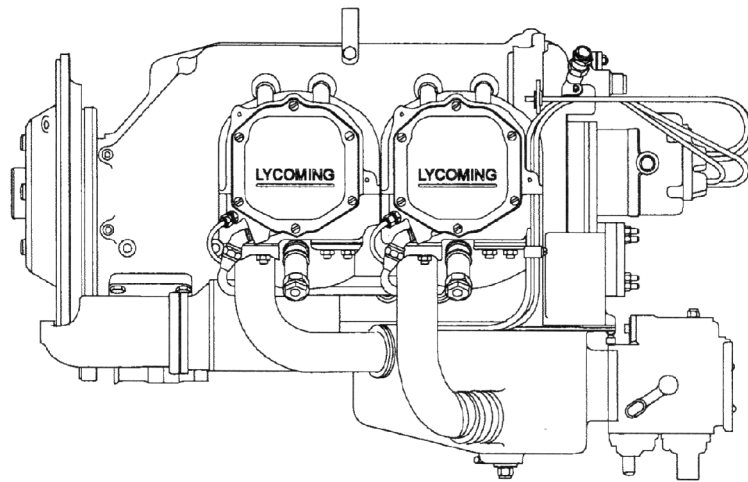


HO-360-C1A

Wide Cylinder Flange Crankcase Model Engines

LYCOMING

Lycoming Aircraft Engines Parts Catalog



HO-360-C1A

Wide Cylinder Flange Crankcase Model Engines

LYCOMING

This illustrated parts catalog contains a complete parts listing for the flange crankcase model aircraft engines.

Lycoming HO-360-C1A wide cylinder

Major assembly and sub-assembly parts of the engine are listed in the Group Assembly sections in the general sequence of engine build up.

A Service Kits section and Oversize and Undersize Parts List are included to aid in ordering parts as necessary during overhaul.

The Numerical Index is provided for convenience in finding parts when only the part number is known.

Parts coverage of Vendor Accessories used on Lycoming engines may be found in the appropriate Vendor's Parts Catalog. A list of addresses of where to obtain these publications appears in the latest edition of Service Letter No. L114.

NOTE

The illustrations, pictures and drawings shown in the publication are typical of the subject matter they portray.

This catalog, when used in conjunction with the appropriate overhaul manual, shall be used for parts identification only. **Under no circumstances shall this catalog be used as an assembly or installation document.**

Any reference in this document to a suppliers/parts manufacturer's product, by name, trademark, part number or other description is solely for the purposes of identification and does not indicate or infer that Lycoming accepts responsibility for quality control and/or airworthiness of parts which do not pass through the Lycoming quality control system.

All Lycoming publications will bear the copyright notice © Lycoming 1986, "All Rights Reserved", and all Lycoming publications are to be considered copyrighted and may not be reproduced without permission of the company.
--

SERVICE BULLETINS, INSTRUCTIONS AND LETTERS

Although the information contained in this parts catalog is up-to-date at time of publication, users are advised to procure current information through all Lycoming distributors or from the factory by subscription. Consult the latest edition of Service Letter No. L114 for subscription information.

HOW TO ORDER PARTS

In ordering parts for your engine, observe the following instructions which will expedite shipment of correct parts required without delay.

- a. Always specify the model and serial number of your engine.
- b. Always specify part number, nomenclature and quantity required.

TABLE OF CONTENTS

SECTION	PAGE
Introduction	i
Table of Contents	ii
Oversize and Undersize Parts Listing	iii
1. CRANKCASE, CRANKSHAFT AND CAMSHAFT GROUP	
Crankcase Assembly	1-1
Oil Level Gage Assembly and Crankcase Related Parts	1-3
Crankshaft Assembly and Related Parts	1-5
Crankshaft Idler Gears, Tachometer Drive and Camshaft	1-7
Crankcase Attaching Parts	1-9
2. ACCESSORY HOUSING AND RELATED PARTS	
Accessory Housing Assembly	2-1
Oil Pump and Accessory Housing Attaching Parts	2-3
Propeller Governor Drive, Vacuum Pump Drive and Fuel Pump Covers	2-5
Oil Filter Base Cover and Breather Fitting	2-7
3. CYLINDER, PISTON AND VALVE TRAIN	
Connecting Rods, Pistons and Ring Assemblies	3-1
Cylinder Assembly	3-3
Cylinder Related Parts	3-5
Valve Assembly	3-7
Cylinder Head Drain Tubes, Intercylinder Cooling Baffles and Rocker Box Covers	3-9
4. IGNITION SYSTEM	
Magnetos, Magneto Drives, Harnesses and Spark Plugs	4-1
5. ELECTRICAL SYSTEM	
Prestolite Starter and Attaching Parts	5-1
Sky-Tec Starter and Attaching Parts	5-2
Alternator Assembly and Belt	5-3
Alternator Mounting and Attaching Parts	5-5
6. OIL SUMP AND INDUCTION SYSTEM	
Oil Sump Assembly and Oil Suction Screen	6-1
Intake Pipes and Attaching Parts	6-3
Carburetor Assembly	6-5
Priming System	6-7
7. SERVICE KIT SECTION	7-1
8. NUMERICAL INDEX	8-1

OVERSIZE AND UNDERSIZE PARTS LISTING

Part No.	Description	OVERSIZE								UNDERSIZE		
		P02 .002	P05 .005	P10 .010	P15 .015	P20 .020	P30 .030	P40 .040	P50 .050	M03 .003	M06 .006	M10 .010
61681	GUIDE	See Latest Edition of Service Instruction No. 1256.										
66610	BUSHING		X	X								
66796	INSERT			X								
69796	DOWEL		X									
72057	SEAT		X	X		X	X					
72058	SEAT			X		X	X					
72155-S	BUSHING		X	X	X	X						
74230	GUIDE	See Latest Edition of Service Instruction No. 1256.										
74241	RING			X								
75656-S	BUSHING		X	X	X	X						
75657-S	BUSHING		X	X		X						
LW-11997	SEAL	See Latest Edition of Service Instruction No. 1324.										
LW-13521	BEARING			X						X*	X*	X*
LW-13792	SEAL	See Latest Edition of Service Instruction No. 1324.										
LW-13884	BEARING				X					X*	X*	X*
LW-16711	BEARING				X					X	X	X
STD-1065	DOWEL	X	X	X	X							
14H21950	RING			X		X						
18A19441	BEARING				X					X	X	X

* Also available in P10 oversize.

In addition to the above, studs are available in P03, P07 & P12.

NOTE

When ordering oversize and undersize parts, be sure to specify the required oversize and undersize dimension along with the proper part number. For example, to order bearing LW-13884 in .003 undersize, order part number LW-13884-M03. Oversize code letter is "P" while undersize code letter is "M". These letters are then followed by the number designating the size in thousandths of an inch.

CRANKCASE, CRANKSHAFT AND CAMSHAFT GROUP CRANKCASE ASSEMBLY

FIG REF. 1	PART NUMBER	DESCRIPTION	QTY. PER ASSY.
1	11B20061-3SL	CRANKCASE ASSEMBLY (See Note)	1
2	75154	STUD, 1/2-13 x 10-1/32 long	2
3	50-15	STUD, 1/2-13 x 1-7/8 long	8
4	38-13	STUD, 3/8-16 x 1-5/8 long	16
5	38D-17	STUD, 3/8-16 x 2-1/8 long, drilled	1
6	31C-12	STUD, 5/16-18 x 1-1/2 long	2
7	31C-13	STUD, 5/16-18 x 1-5/8 long	1
8	STD-557	DOWEL, 1/2 dia. x 11/16 long, hollow	2
9	STD-514	DOWEL, 5/16 dia. x 1/2 long	2
10	STD-1623	INSERT, 1/4-20 Helicoil x 3/8 long	2
11	LW-13793	STUD, 5/16-18 x 15/16 long, drilled	1
12	69796	DOWEL, Crankshaft bearing	2
13	1102	PLUG, 1/8-27 NPT, Allen head	6
14	STD-1339	PLUG, 1/16-27 NPT, Allen head	4

NOTE

This part is not available as a service item. Refer to Service Kits, Section 7, for applicable Crankcase Assembly and Governor Stud Kit Part Number.

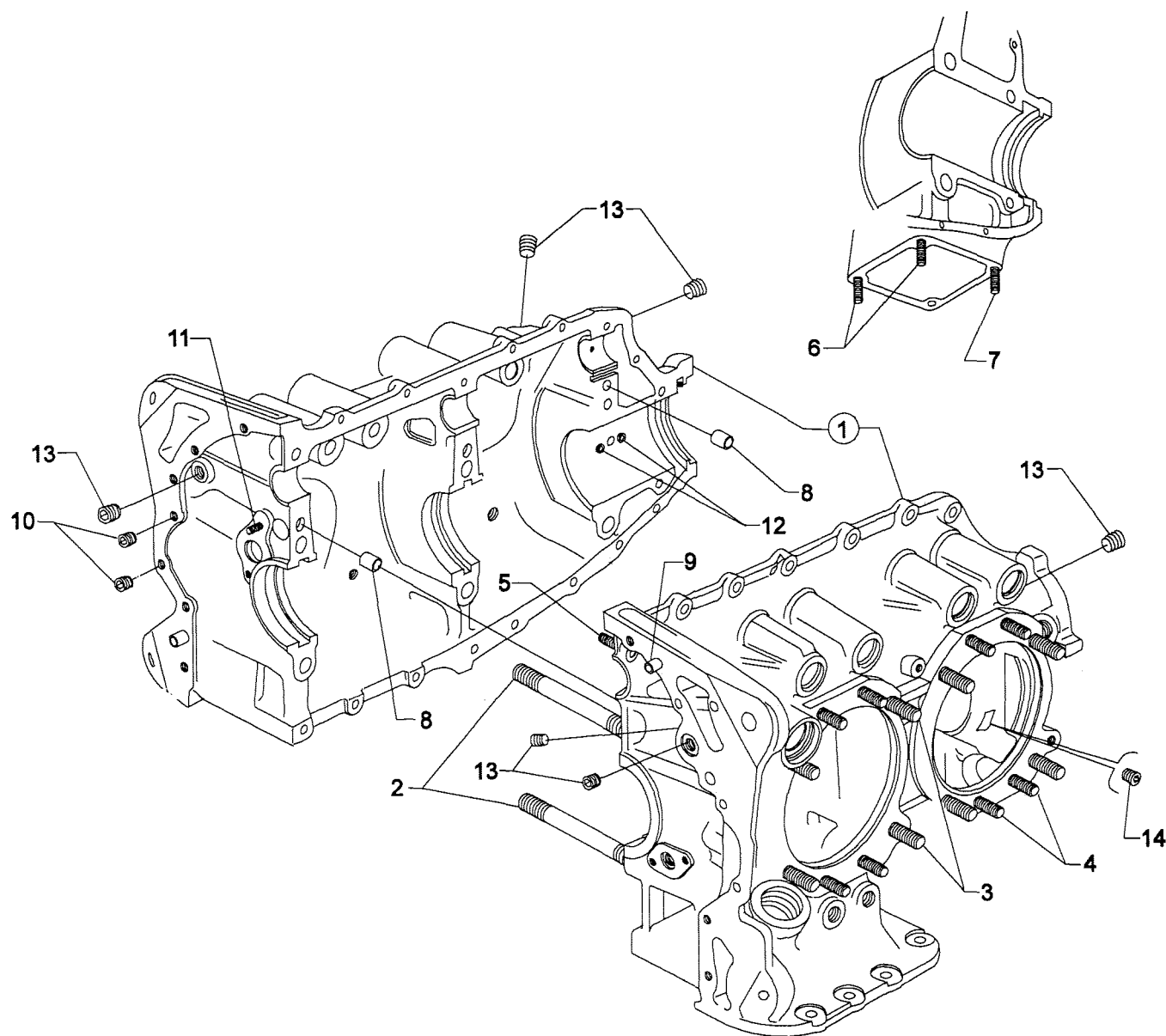


Figure 1. CRANKCASE ASSEMBLY

CRANKCASE, CRANKSHAFT AND CAMSHAFT GROUP OIL LEVEL GAGE ASSEMBLY AND CRANKCASE RELATED PARTS

FIG REF. 2	PART NUMBER	DESCRIPTION	QTY. PER ASSY.
1	77962	ADAPTER, Oil level gage	1
2	72059	GASKET, Oil level gage	1
3	72312	RING, Oil level gage seal	1
4	LW-14727	GAGE ASSEMBLY, Oil level	1
5	1028-B	BALL, 11/16 diameter	1
6	61084*	SPRING, Oil pressure relief valve	1
	68668*	SPRING, Oil pressure relief valve	1
	77467*	SPRING, Oil pressure relief valve	1
	LW-11713*	SPRING, Oil pressure relief valve	1
	LW-18085*	SPRING, Oil pressure relief valve	1
7	06E19769-1.25	GASKET, 1-1/4 I.D. x 1-1/2 O.D. x 3/32 annular	1
8	77808	VALVE ASSY., Oil pressure relief valve, adj.	1
9	LW-16711	BEARING, Crankshaft	4
10	LW-13884	BEARING, Crankshaft, front	2
	18A19441	BEARING, Crankshaft, front (alternate)	2
11	LW-13792**	SEAL, Crankshaft oil, solid	1
	LW-11997**	SEAL, Crankshaft oil, split	1
12	72075	SEAL, Oil, 3/32 section x 7/16 I.D.	2
13	72091	RING, Oil seal, 23/64 I.D. x 7/64 dia.	2
14	72877	BODY, Hydraulic tappet	8

* Select spring to give a minimum of three threads exposed on adjusting screw to allow field adjustment. Reference latest revision of Lycoming Table of Limits SSP-1776, Part I for spring identification.

** See latest edition of Lycoming Service Instruction No. 1324 for installation.

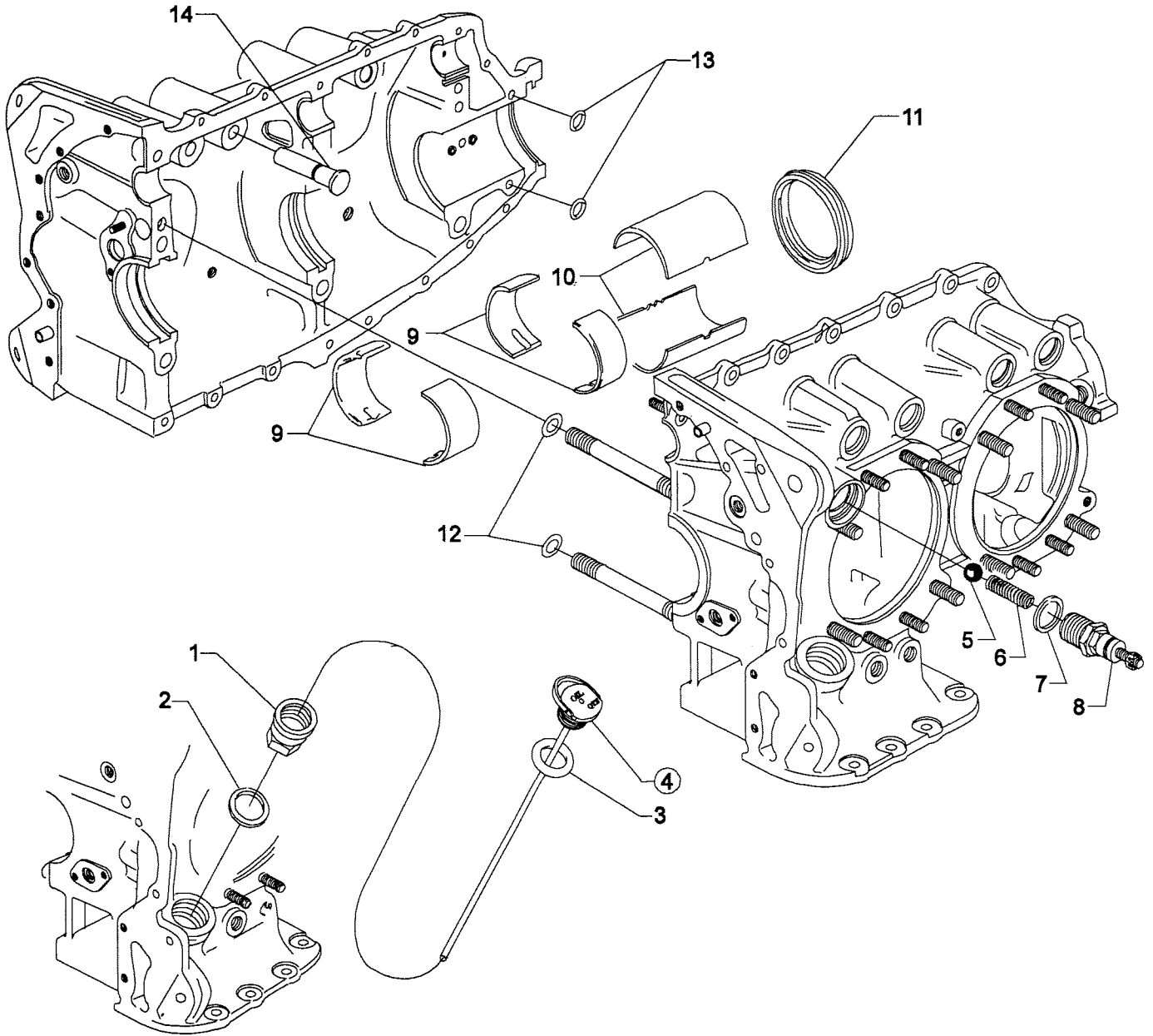


Figure 2. OIL LEVEL GAGE ASSEMBLY AND CRANKCASE RELATED PARTS

CRANKCASE, CRANKSHAFT AND CAMSHAFT GROUP CRANKSHAFT ASSEMBLY AND RELATED PARTS

FIG REF. 3	PART NUMBER	DESCRIPTION	QTY. PER ASSY.
1	13B27123	CRANKSHAFT AND BUSHING ASSEMBLY	1
2	STD-1065	DOWEL, Stepped, 5/16 & 1/4 dia. x 35/64 long	1
3	77416	PLUG, Crankshaft	1
4	75656-S	BUSHING, Propeller flange, long	4
5	72155-S	BUSHING, Propeller flange, short	1
6	75657-S	BUSHING, Propeller flange, indexing	1
7	13S19646*	GEAR, Crankshaft	1
8	LW-18639	LOCKPLATE, Crankshaft gear	1
9	STD-2213	SCREW, 5/16-24 x 1.00 long	1
10	LW-16471	SUPPORT ASSY., Starter ring gear, 12/14 pitch	1
11	72566	GEAR, Starter ring	1

* See latest edition of Lycoming Service Bulletin No. 475 for proper installation.

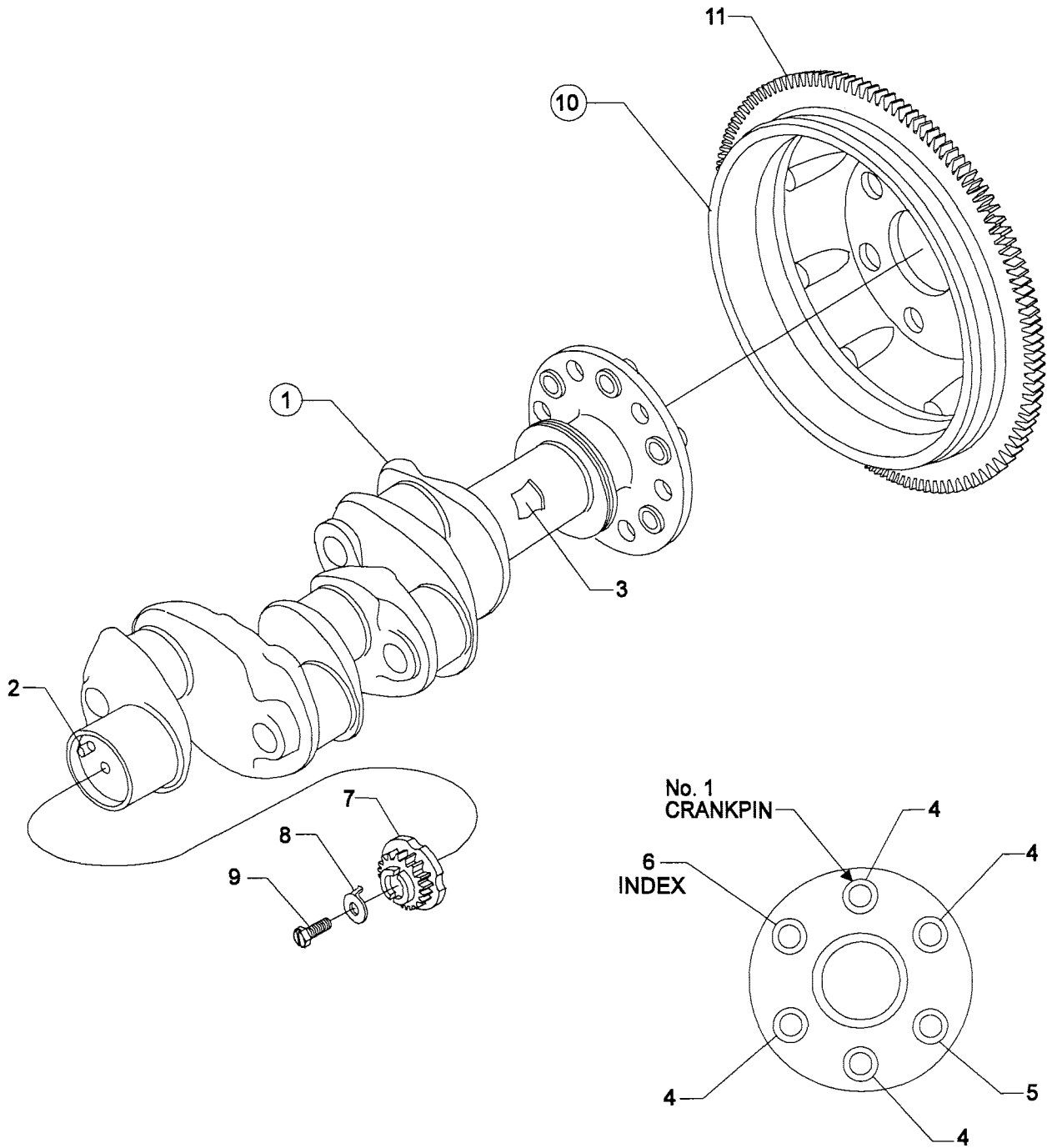


Figure 3. CRANKSHAFT ASSEMBLY AND RELATED PARTS

CRANKCASE, CRANKSHAFT AND CAMSHAFT GROUP CRANKSHAFT IDLER GEARS, TACHOMETER DRIVE AND CAMSHAFT

FIG REF. 4	PART NUMBER	DESCRIPTION	QTY. PER ASSY.
1	61544	PLUNGER, Fuel pump, long	1
2	74996	GEAR ASSY., Crankshaft idler, plain	1
3	77309	BUSHING, Crankshaft idler gear	1
4	75072	GEAR ASSY., Crankshaft idler	1
5	77309	BUSHING, Crankshaft idler gear	1
6	76121	SHAFT ASSY., Tachometer	1
7	LW-18667	PIN, 3/16 dia. x 2-21/64 long	1
8	STD-2231	RING, Internal retaining	1
9	LW-13796	SHAFT, Crankshaft idler gear	2
10	LW-31H0.88	BOLT, 5/16-18 x 7/8 long, hex. hd., dr.	3
11	STD-2168	NUT, 5/16-18 NC-3 slotted shear	1
12	LW-18840	CAMSHAFT ASSEMBLY	1
13	76118	SPACER, Tach. shaft centering	1

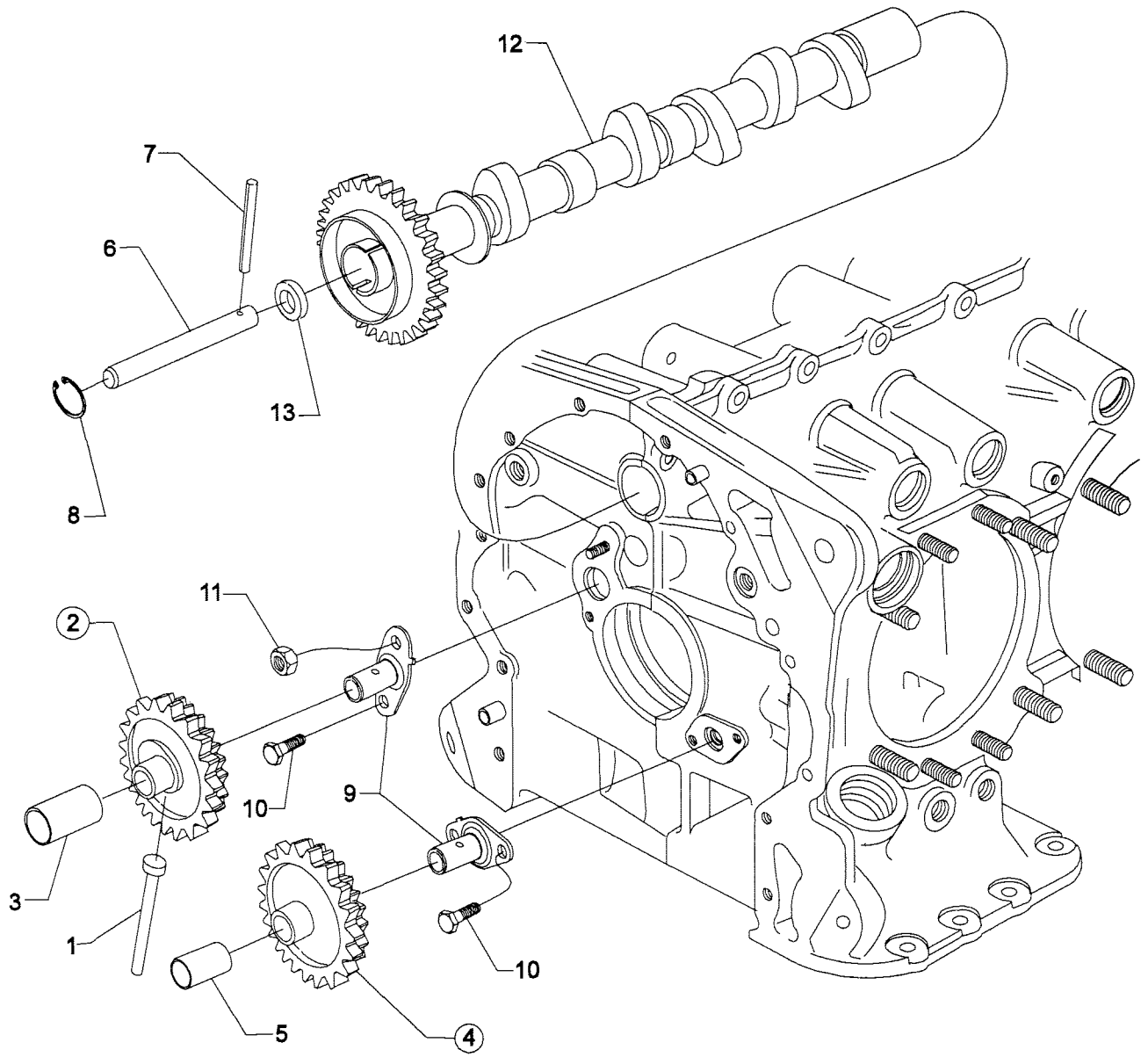


Figure 4. CRANKSHAFT IDLER GEARS, TACHOMETER DRIVE AND CAMSHAFT

CRANKCASE, CRANKSHAFT AND CAMSHAFT GROUP CRANKCASE ATTACHING PARTS

FIG REF. 5	PART NUMBER	DESCRIPTION	QTY. PER ASSY.
1	LW-25-1.50	BOLT, 1/4-20 x 1-1/2 long, hex. hd.	8
2	STD-8	WASHER, 1/4 plain	19
3	60803	STRAP, Lifting	1
4	LW-25-1.75	BOLT, 1/4-20 x 1-3/4 long, hex. hd.	1
5	LW-25-1.13	BOLT, 1/4-20 x 1-1/8 long, hex. hd.	3
6	STD-160	WASHER, 1/4 lock, internal teeth	12
7	STD-1411	NUT, 1/4-20 plain	9
8	LW-25S1.50	BOLT, 1/4-20 x 1-1/2 long, hex. hd., dr. end	3
9	STD-8	WASHER, 1/4 plain (Max. 9)	AR
10	STD-1409	NUT, 1/4-20 slotted shear	3
11	STD-33	WASHER, 3/8 plain, 1/16 thick	3
12	AN960-616L	WASHER, 3/8 plain, 1/32 thick	1
13	STD-872	NUT, 3/8-24 slotted	1
14	AN6-34A	BOLT, 3/8-24 x 3-37/64 long, hex. hd.	2
15	STD-33	WASHER, 3/8 plain	2
16	STD-678	WASHER, 3/8 lock, internal teeth	2
17	STD-596	NUT, 3/8-24 plain	2
18	76220	STUD, 1/2-20 x 10-45/64 long	4

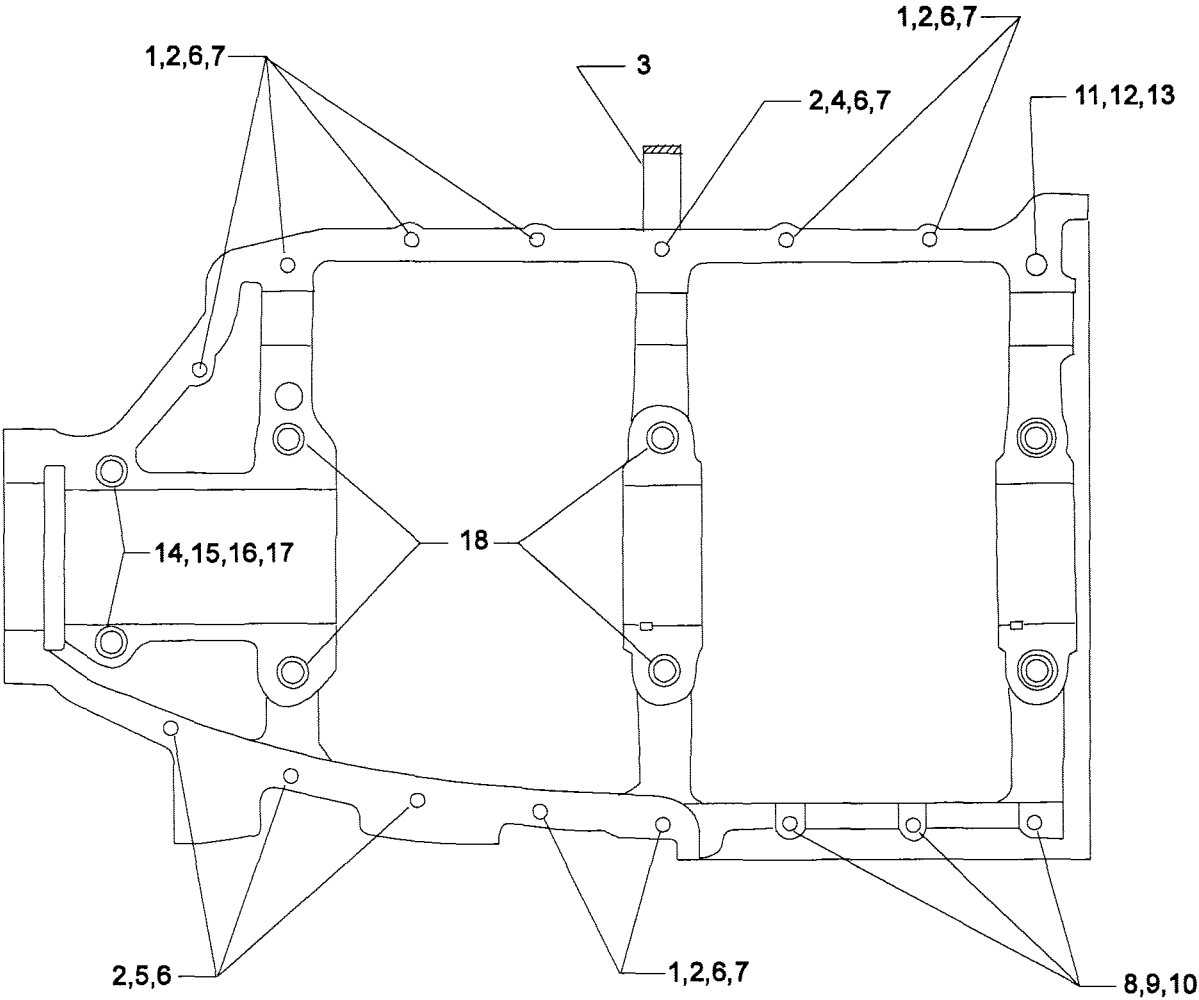


Figure 5. CRANKCASE ATTACHING PARTS

**ACCESSORY HOUSING AND RELATED PARTS
ACCESSORY HOUSING ASSEMBLY**

FIG REF. 6	PART NUMBER	DESCRIPTION	QTY. PER ASSY.
1	73818	GASKET, Accessory housing	1
2	21A21533-24	HOUSING ASSY., Accessory	1
3	25C-12	STUD, 1/4-20 x 1-1/2 long	4
4	31C-12	STUD, 5/16-18 x 1-1/2 long	6
5	31C-16	STUD, 1/4-20 x 1-3/8 long	2
6	31CD-17	STUD, 5/16-18 x 2-1/8 long, drilled	3
7	1102	PLUG, 1/8-27 NPT, Allen head	4
8	STD-784	PLUG, 3/8-18 NPT, Allen head	1
9	75888	STUD, 1/4-20 x 1-1/4 long	4
10	25C-11	STUD, 1/4-20 x 1-3/8 long	2

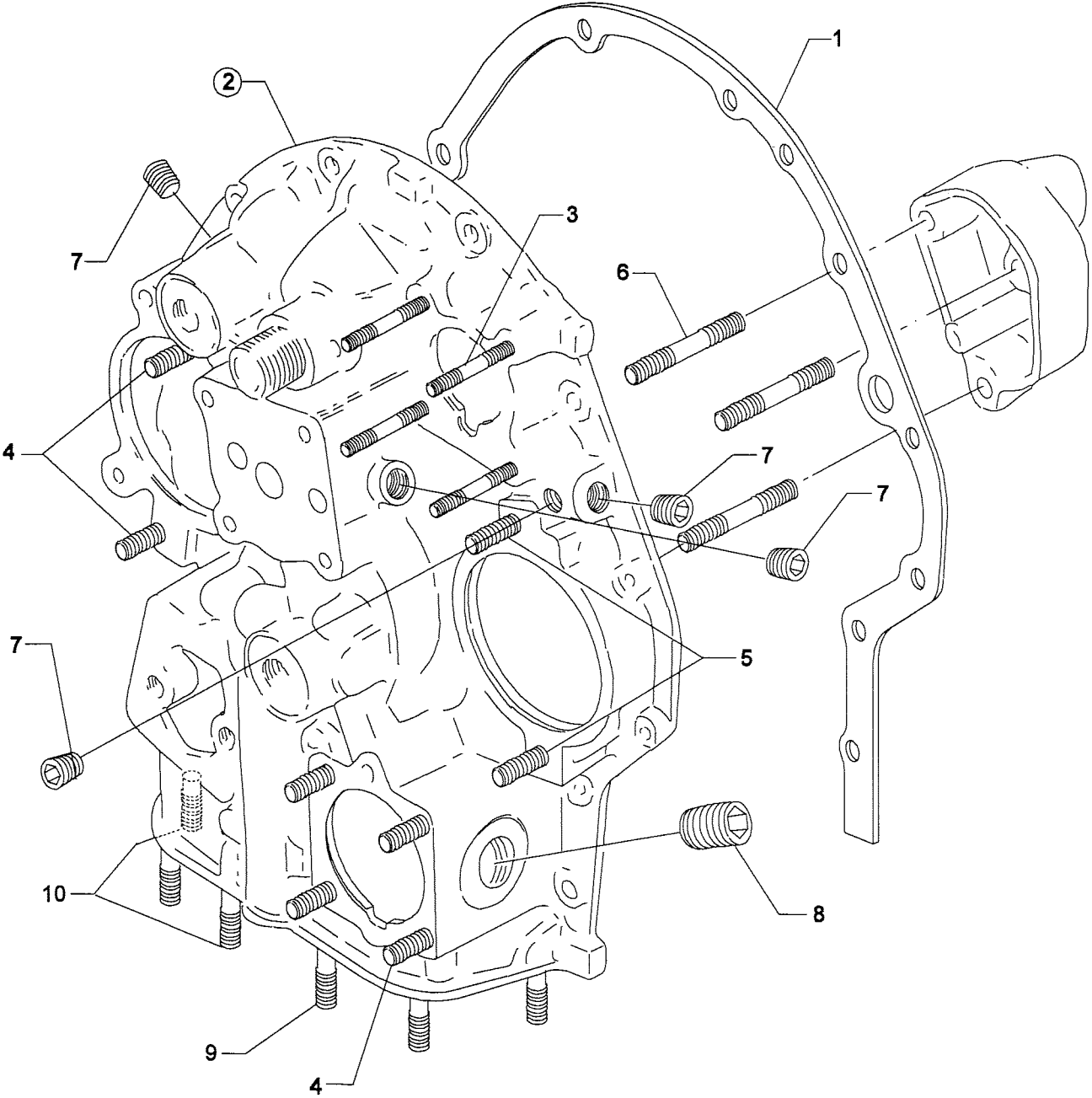


Figure 6. ACCESSORY HOUSING ASSEMBLY

**ACCESSORY HOUSING AND RELATED PARTS
OIL PUMP AND ACCESSORY HOUSING ATTACHING PARTS**

FIG REF. 7	PART NUMBER	DESCRIPTION	QTY. PER ASSY.
1	78531	BODY, Oil pump	1
2	05K19423-S*	OIL PUMP IMPELLER KIT	1
3	61174	SHAFT, Oil pump drive	1
4	STD-35	WASHER, 5/16 plain	3
5	STD-1420	NUT, 5/16-18 slotted	3
6	LW-14260	SEAL, Tachometer drive, oil	1
7	STD-8	WASHER, 1/4 plain	12
8	STD-160	WASHER, 1/4 lock, internal teeth	12
9	LW-25-0.94	BOLT, 1/4-20 x 15/16 long, hex. hd.	9
10	LW-25-1.13	BOLT, 1/4-20 x 1-1/8 long, hex. hd.	1
11	LW-25-1.50	BOLT, 1/4-20 x 1-1/2 long, hex. hd.	2

* See latest edition of Lycoming Service Bulletin No. 524.

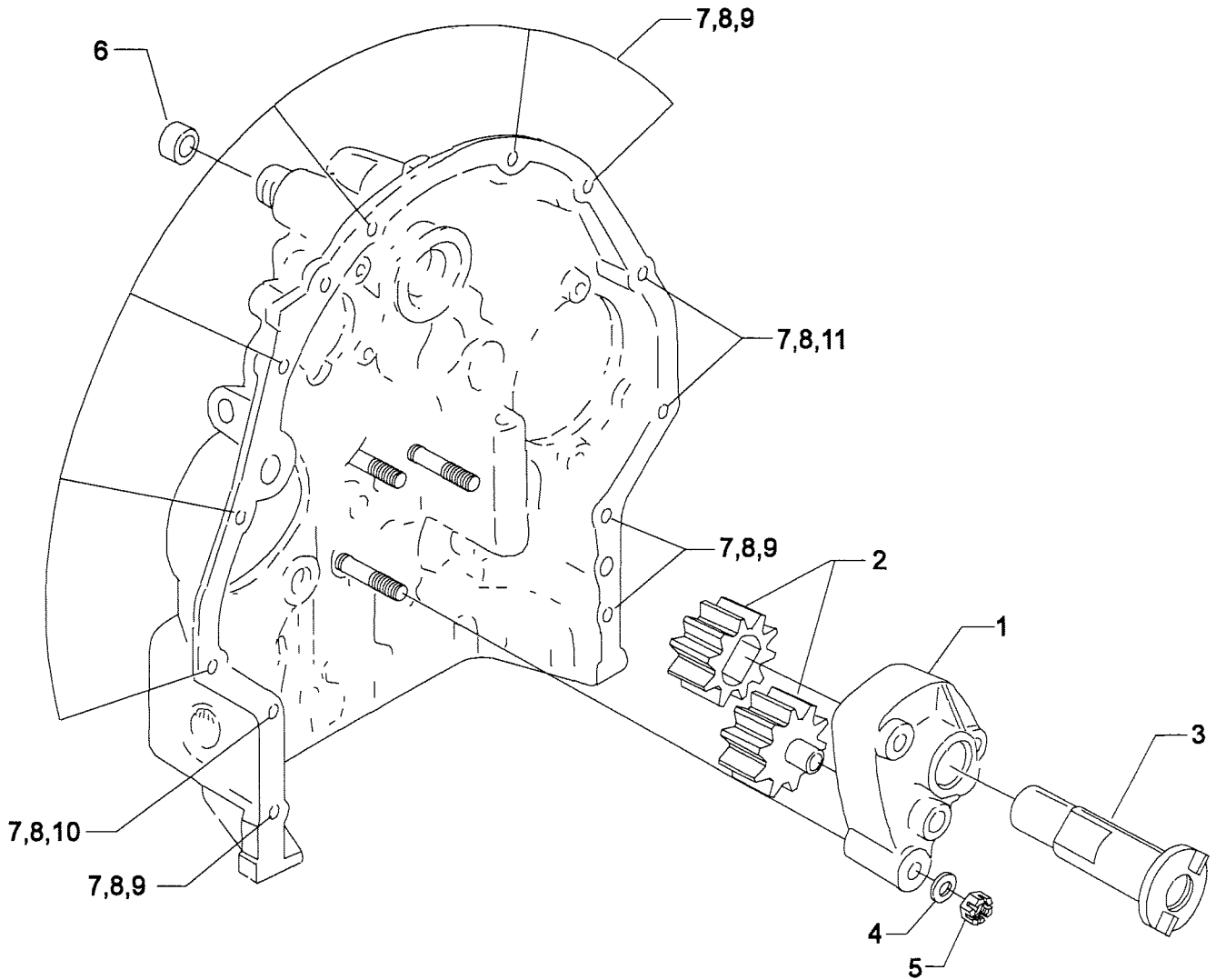


Figure 7. OIL PUMP AND ACCESSORY HOUSING ATTACHING PARTS

ACCESSORY HOUSING AND RELATED PARTS

PROPELLER GOVERNOR DRIVE, VACUUM PUMP DRIVE AND FUEL PUMP COVERS

FIG REF. 8	PART NUMBER	DESCRIPTION	QTY. PER ASSY.
1	69551	GASKET, Accessory drive adapter	1
2	69106	COVER, Governor drive adapter pad	1
3	STD-35	WASHER, 5/16 plain	4
4	STD-475	WASHER, 5/16 lock, internal teeth	4
5	STD-1410	NUT, 5/16-18 plain	4
6	STD-783*	PLUG, 1/4-18 NPT, Allen head	1
7	61183	GASKET, Vacuum pump	1
8	60430	COVER, Vacuum pump	1
9	STD-8	WASHER, 1/4 plain	4
10	STD-160	WASHER, 1/4 lock, internal teeth	4
11	STD-1411	NUT, 1/4-20 plain	4
12	60096	GASKET, Fuel pump	1
13	65098	COVER, Fuel pump	1
14	STD-33	WASHER, 3/8 plain	2
15	STD-678	WASHER, 3/8 lock, internal teeth	2
16	LW-38-0.75	BOLT, 3/8-16 x 3/4 long	2

* Used when no propeller governor oil line is installed.

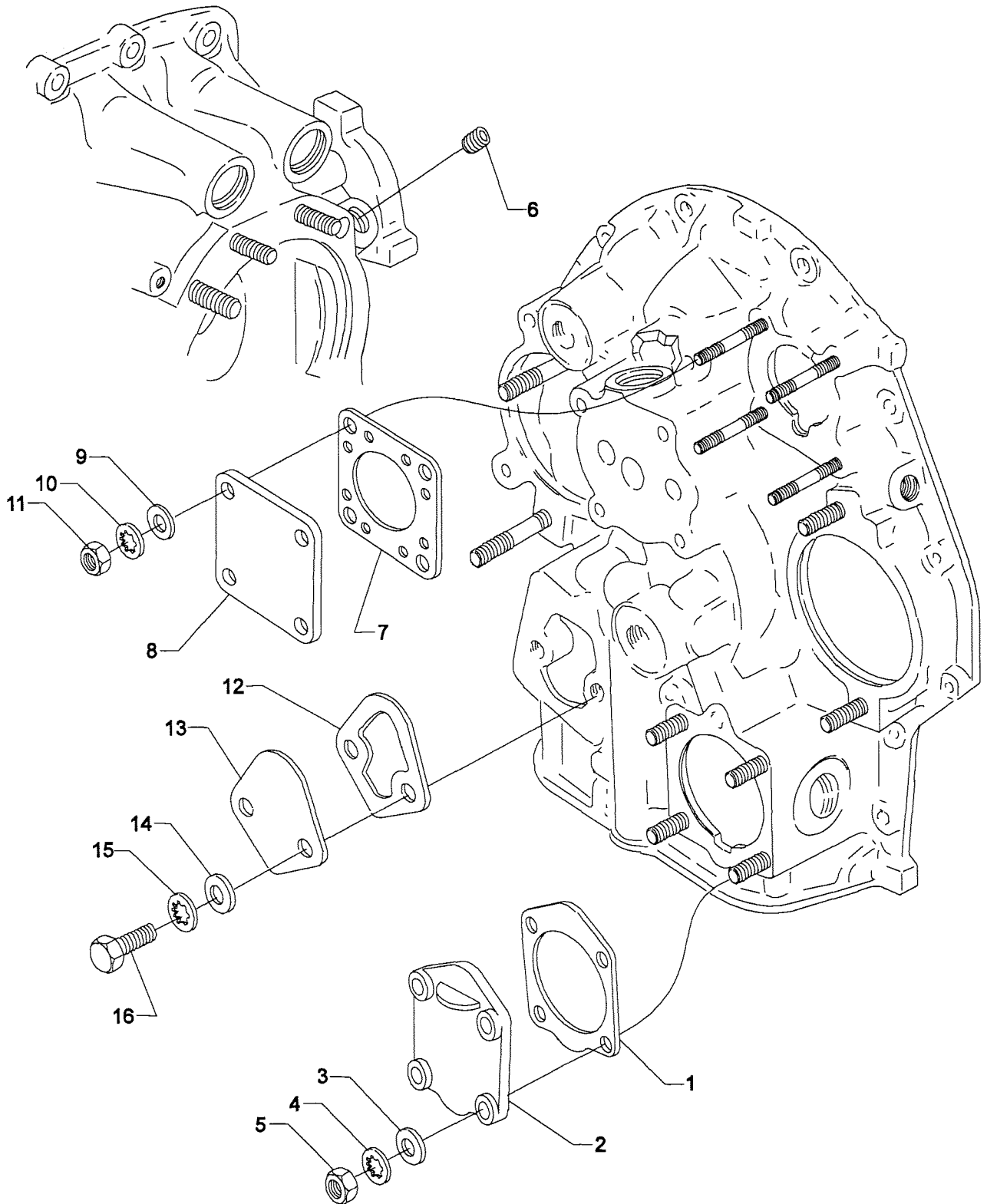


Figure 8. PROPELLER GOVERNOR DRIVE, VACUUM PUMP DRIVE AND FUEL PUMP COVERS

ACCESSORY HOUSING AND RELATED PARTS OIL FILTER BASE COVER AND BREATHER FITTING

FIG REF. 9	PART NUMBER	DESCRIPTION	QTY. PER ASSY.
1	06B21644	GASKET, Oil filter base	1
2	21M21643	COVER, Oil filter base	1
3	STD-8	WASHER, 1/4 plain	4
4	STD-160	WASHER, 1/4 lock, internal teeth	4
5	LW-25-0.94	BOLT, 1/4-20 x 15/16 long	3
6	LW-25H1.00	BOLT, 1/4-20 x 1.00 long, hex. hd., dr.	1
7	06E19769-0.63	GASKET, 7/8 O.D. x 5/8 I.D. x 3/32 annular	1
8	1540	PLUG, Thermometer well	1
9	06E19769-0.63	GASKET, 7/8 O.D. x 5/8 I.D. x 3/32 annular	1
10	62417	PLUG, Oil cooler bypass	1
11	STD-784	PLUG, 3/8-18 NPT, Allen head	2
12	71140	FITTING, Breather	1

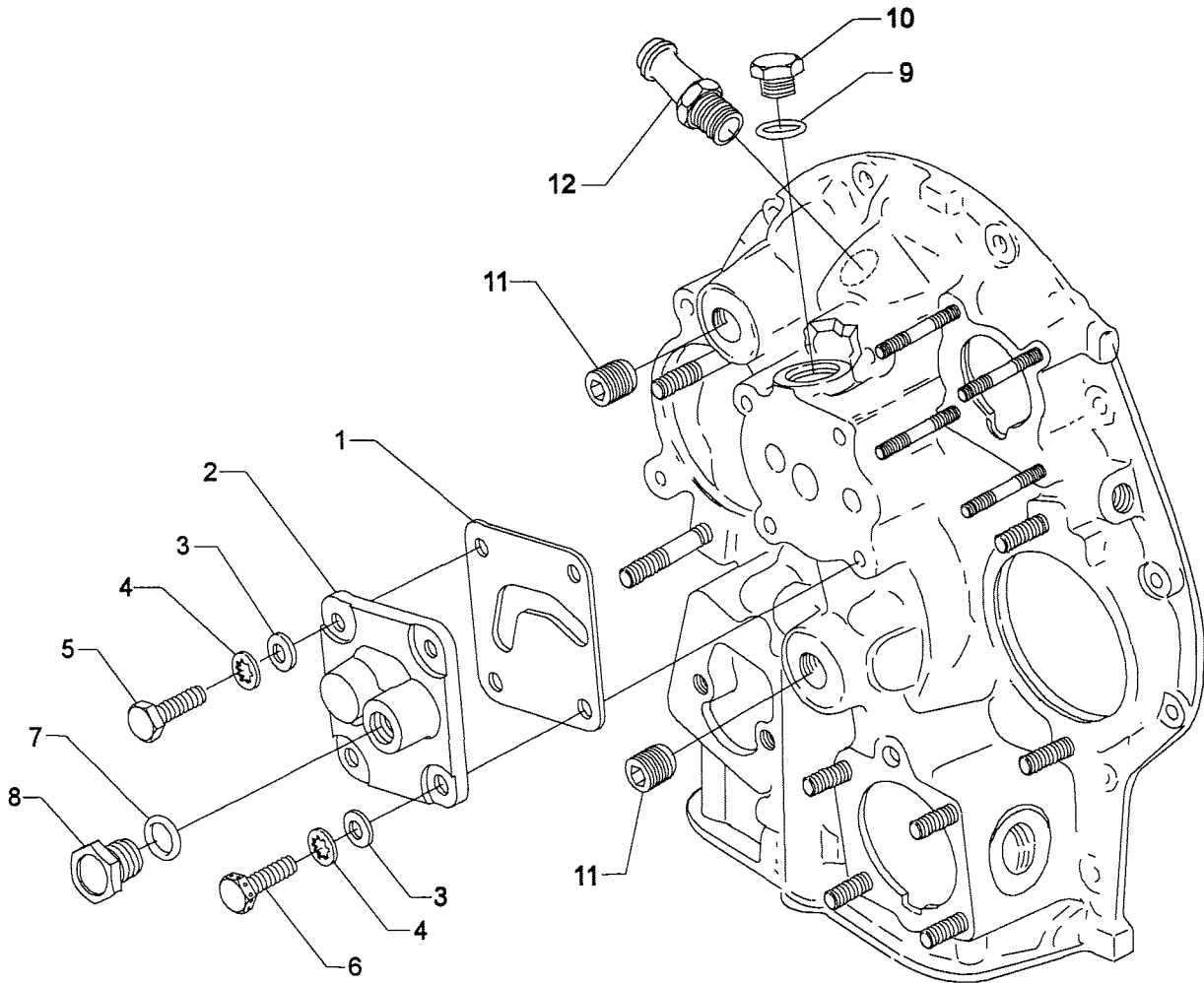


Figure 9. OIL FILTER BASE COVER AND BREATHER FITTING

**CYLINDER, PISTON AND VALVE TRAIN
CONNECTING RODS, PISTONS AND RING ASSEMBLIES**

FIG REF. 10	PART NUMBER	DESCRIPTION	QTY. PER ASSY.
1	LW-11750-S	CONNECTING ROD ASSEMBLY	4
2	LW-13923	BUSHING, Connecting rod, upper	4
3	75061	BOLT, Connecting rod	8
4	LW-12186	NUT, Connecting rod bolt	8
5	LW-13521	BEARING, Connecting rod	8
6	75089	PISTON, Compression ratio, 8.50:1	4
7	LW-14077*	PIN, Piston	4
8	LW-11775*	PLUG, Piston pin (piloted)	8
9	74241	RING, Piston compression	8
10	14H21950	RING, Piston, oil regulating, expander type	4

* See latest edition of Lycoming Service Instruction No. 1267.

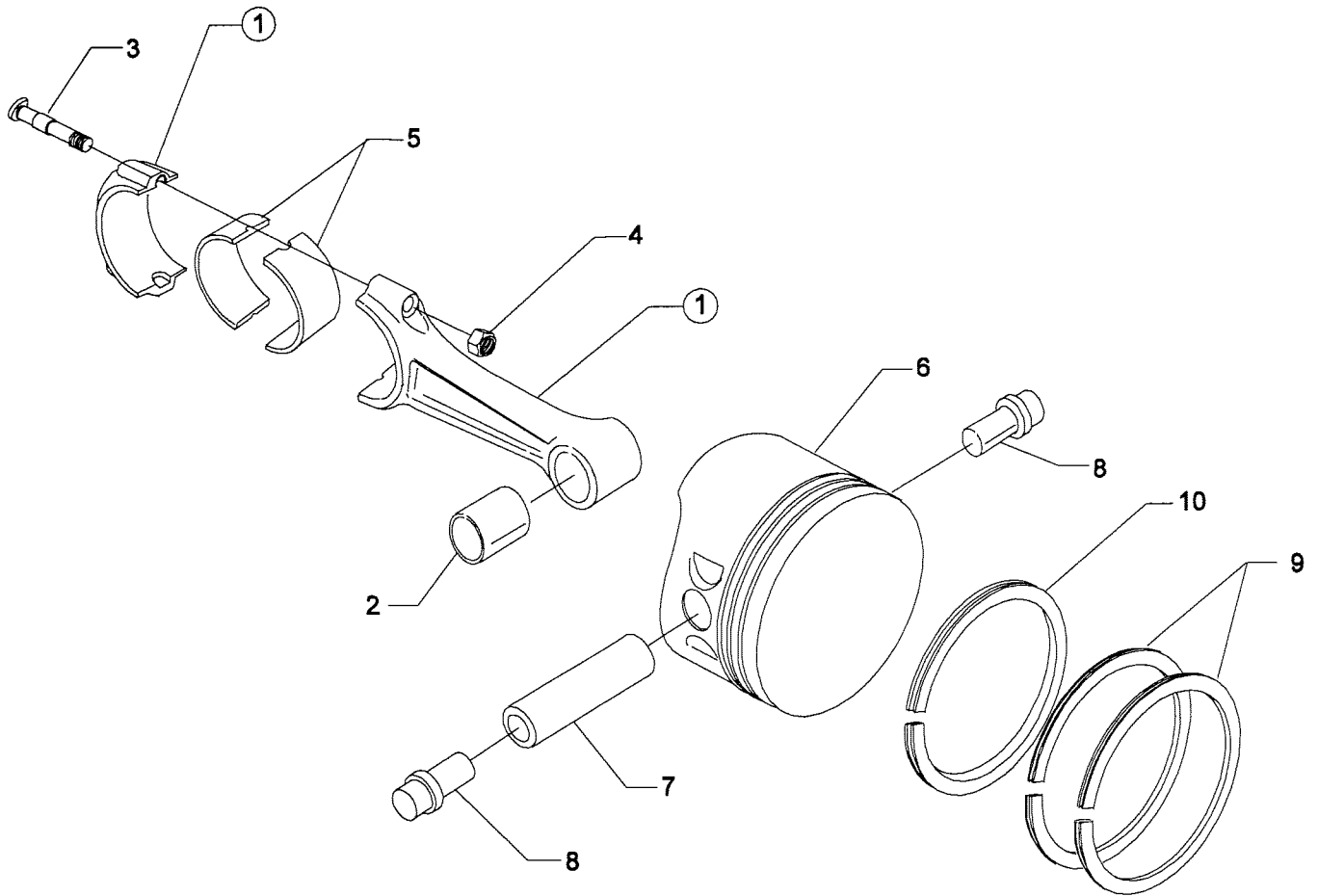


Figure 10. CONNECTING RODS, PISTONS AND RING ASSEMBLIES

CYLINDER, PISTON AND VALVE TRAIN CYLINDER ASSEMBLY

FIG REF. 11	PART NUMBER	DESCRIPTION	QTY. PER ASSY.
1	LW-12427	CYLINDER & HEAD ASSY., Nitrided	4
2	72057	SEAT, Intake valve	4
3	72058	SEAT, Exhaust valve	4
4	61681*	GUIDE, Valve, intake, flanged	4
5	74230*	GUIDE, Valve, exhaust, flanged	4
6	66796	INSERT, Spark plug, 18 - 1.5 MM	8
7	STD-1353	INSERT, No. 10-24 Heli-coil x 3/8 long	4
8	31C-12	STUD, 5/16-18 x 1-1/2 long	8
9	25C-8	STUD, 1/4-20 x 1.00 long	4
10	MS20823-6D	ELBOW, 45°, 3/8 flared tube	4
11	66610	BUSHING, Rocker shaft	16
12	1102	PLUG, 1/8-27 NPT, Allen head	4
13	STD-35	WASHER, 5/16 plain	8
14	STD-475	WASHER, 5/16 lock, internal teeth	8
15	STD-1410	NUT, 5/16-18 plain	8

* See latest edition of Lycoming Service Instruction No. 1256.

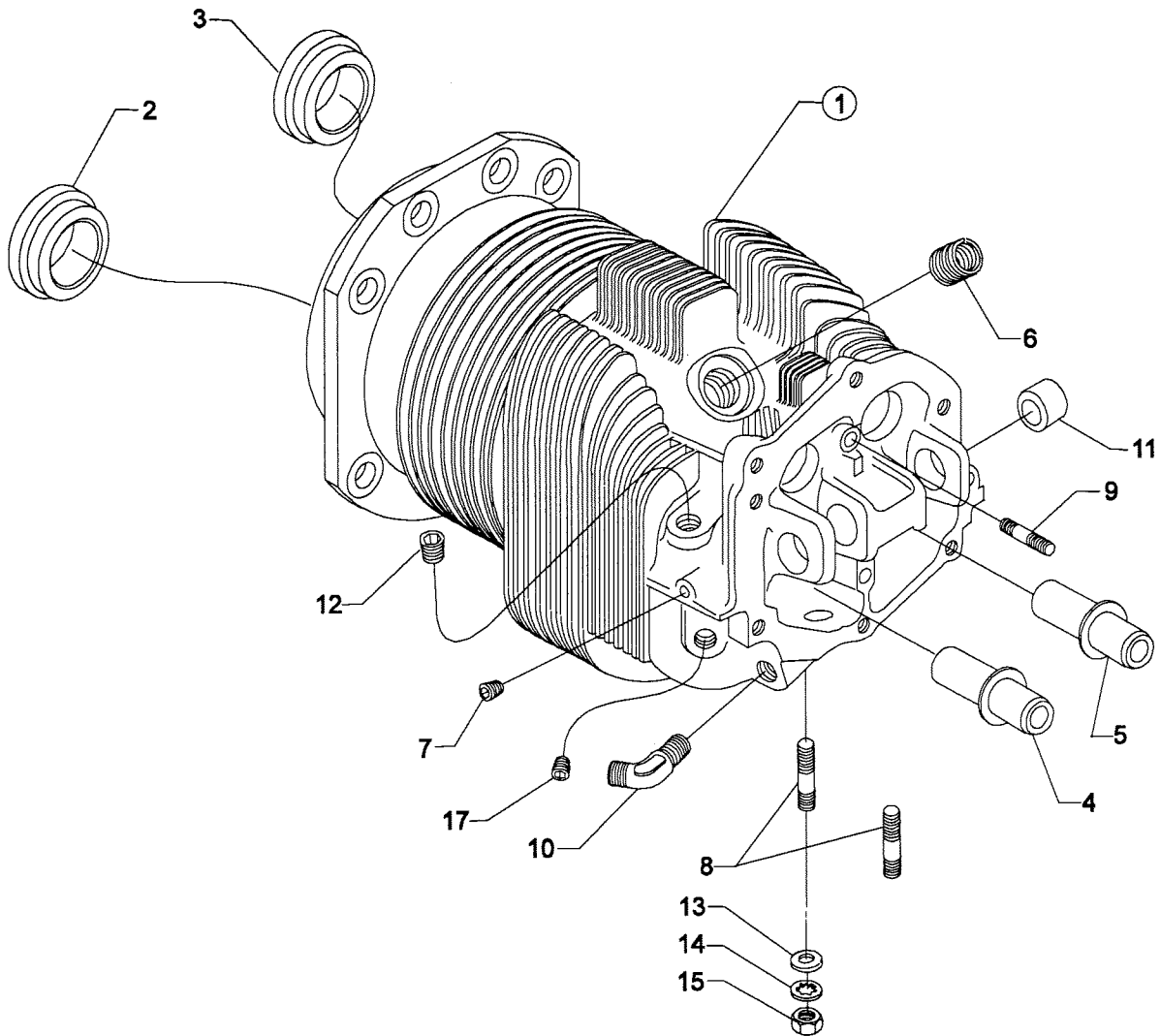


Figure 11. CYLINDER ASSEMBLY

CYLINDER, PISTON AND VALVE TRAIN CYLINDER RELATED PARTS

FIG REF. 12	PART NUMBER	DESCRIPTION	QTY. PER ASSY.
1	15F19957-34*	ROD ASSY., Push (A total of 8 required)	AR
	15F19957-35*	ROD ASSY., Push (A total of 8 required)	AR
	15F19957-36*	ROD ASSY., Push (A total of 8 required)	AR
	73437*	ROD ASSY., Push (A total of 8 required)	AR
2	17F19357**	ROCKER ASSY., Valve	8
3	74637	BUSHING, Valve rocker	8
4	LW-13790	SHAFT, Valve rocker	4
5	LW-12892	THRUST BUTTON, Rocker shaft	8
6	71481	RING, Oil seal, 3/32 dia. x 4-27/32 long	4
7	74887	SPACER, 33/64 I.D. x 7/8 O.D. x 3/8 thick	2
8	383-B	NUT, 3/8-24 plain	16
9	STD-2090	NUT, 1/2-20 plain	18

* See latest edition of Lycoming Service Instruction No. 1060 for complete push rod application.

** Due to the size of the area where the part number is stamped, the last five digits may be all that is shown (19357).

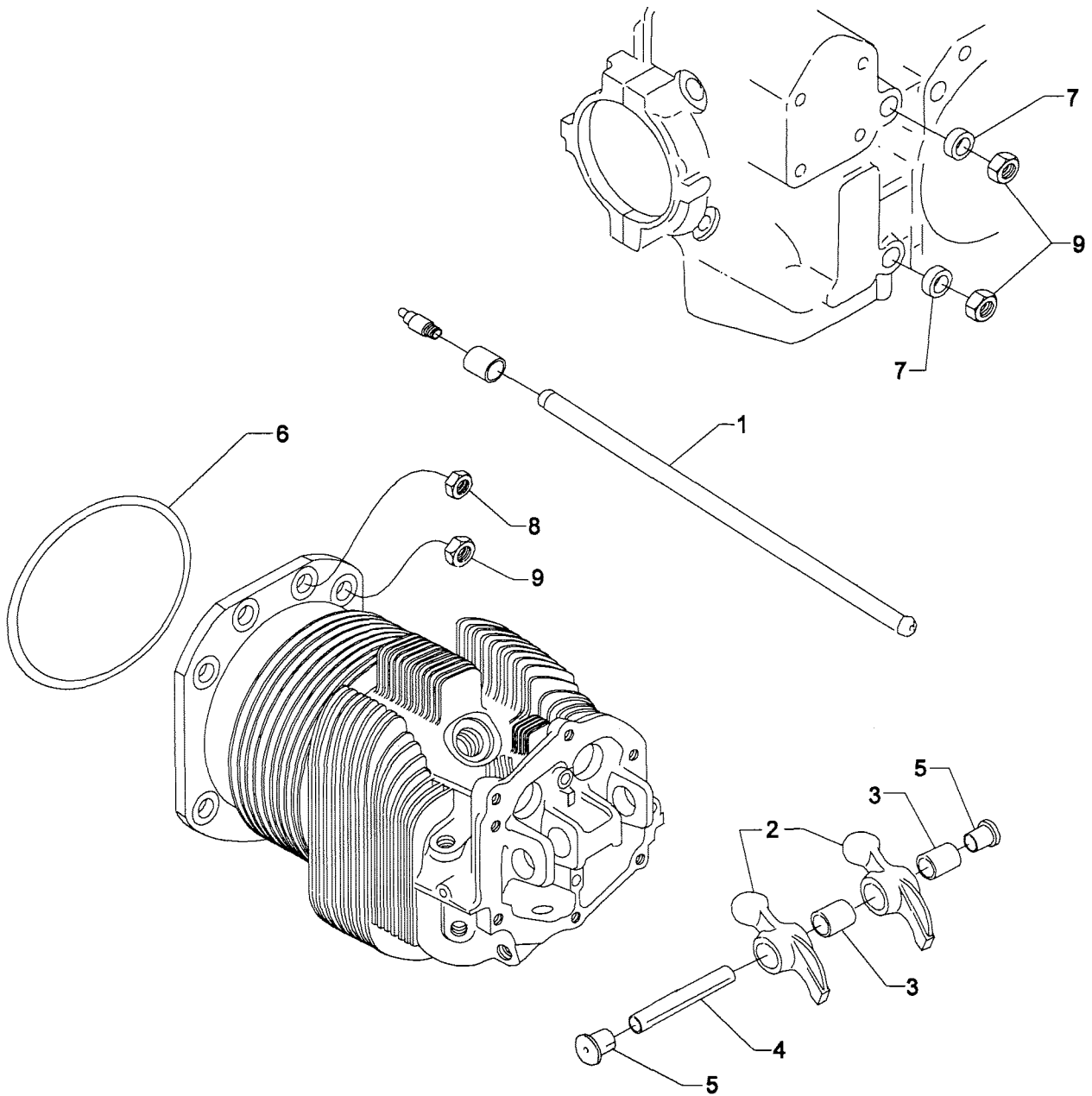


Figure 12. CYLINDER RELATED PARTS

CYLINDER, PISTON AND VALVE TRAIN VALVE ASSEMBLY

FIG REF. 13	PART NUMBER	DESCRIPTION	QTY. PER ASSY.
1	73938	VALVE, Intake	4
2	LW-19001	VALVE, Exhaust (rotator type)	4
3	LW-11795	SPRING, Valve, inner	8
4	LW-11800	SPRING, Valve, outer	8
5	65441	SEAT, Valve spring, lower intake	4
6	LW-13323	SEAT, Valve spring, lower exhaust	4
7	LW-10077	SEAT, Valve spring, upper intake	4
8	LW-16475	SEAT, Valve spring, upper exhaust (rotator type)	4
9	60009	KEY, Valve, intake	8
10	17C21191	KEY, Valve, exhaust (rotator type)	8
11	17C19386	CAP, Valve stem, exhaust (rotator type)	4
12	78290	PLUNGER ASSY., Hydraulic tappet	8
13	15B21319	SOCKET, Hydraulic tappet	8
14	LW-11485	SHROUD TUBE ASSY., Push rod	8
15	LW-14995	SPRING, Shroud tube	4
16	LW-12272	LOCKPLATE, Shroud tube	4
17	STD-1411	NUT, 1/4-20 plain	4
18	LW-18661	SEAL, Shroud tube	8
19	70310	SEAL, Shroud tube	8

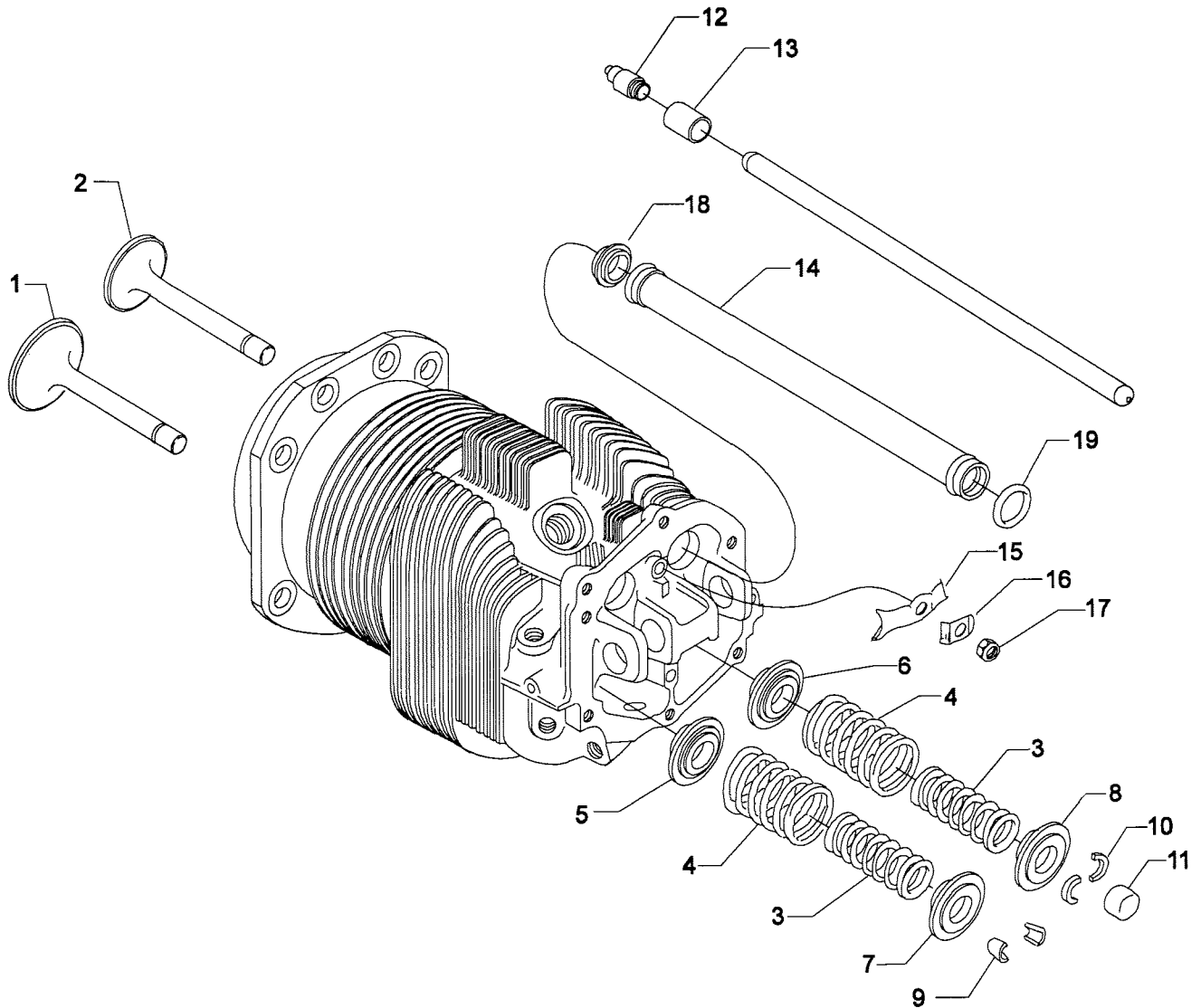


Figure 13. VALVE ASSEMBLY

**CYLINDER, PISTON AND VALVE TRAIN
CYLINDER HEAD DRAIN TUBES, INTERCYLINDER COOLING BAFFLES
AND ROCKER BOX COVERS**

FIG REF. 14	PART NUMBER	DESCRIPTION	QTY. PER ASSY.
1	STD-684	NIPPLE, Straight, 3/8 I.D. hose	4
2	STD-1821	HOSE, 3/8 x 2-1/2 long	4
3	LW-15592-5-05	CLAMP, Hose	8
4	68759	TUBE ASSY., Cyl. head oil drain, cyl. no. 1	1
5	68760	TUBE ASSY., Cyl. head oil drain, cyl. no. 2	1
6	68761	TUBE ASSY., Cyl. head oil drain, cyls. no. 3 & 4	2
7	75339	BAFFLE ASSY., Intercylinder	2
8	71611	RETAINER, Intercylinder baffle	2
9	71610	HOOK, Intercylinder baffle retainer	2
10	75906	GASKET, Rocker box cover	4
11	61247	COVER, Rocker box	4
12	STD-1925	SCREW, 1/4-20 x 5/8 long, pan. hd., self-locking	24

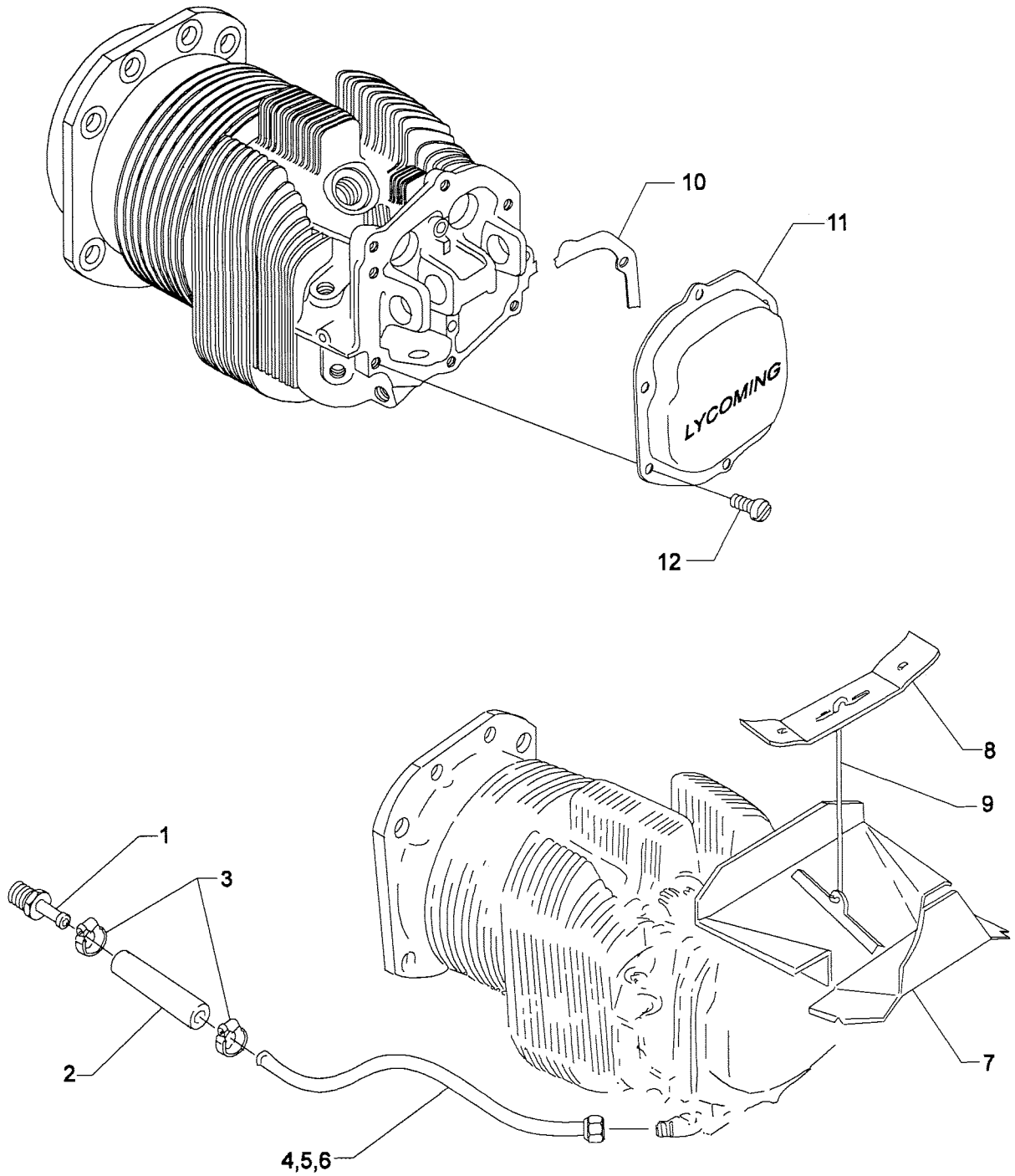


Figure 14. CYLINDER HEAD DRAIN TUBES, INTERCYLINDER COOLING BAFFLES AND ROCKER BOX COVERS

IGNITION SYSTEM MAGNETOS, MAGNETO DRIVES, HARNESSSES AND SPARK PLUGS

FIG REF. 15	PART NUMBER	DESCRIPTION	QTY. PER ASSY.
1	STD-713	COTTER PIN, 3/32 dia. x 3/4 long	4
2	LW-12681	GASKET, Magneto	4
3	62224	GASKET, Magneto	2
4	LW-15416	ADAPTER ASSY., Magneto drive	2
5	LW-14910	COUPLING, Magneto drive	2
6	LW-14230	CUSHION, Magneto drive	4
7	66GP-OSANN	MAGNETO, Plain, Right, Slick Model 4370	1
	66GR25SANN	MAGNETO, Retard, Left, Slick Model 4347	1
8	67P20400	HARNESS ASSY., Right, Slick Model M-2976	1
	67P20403	HARNESS ASSY., Left, Slick Model M-2977	1
9	66M21195	CLAMP, Magneto	4
10	STD-475	WASHER, 5/16 lock, internal teeth	4
10	STD-1410	NUT, 5/16-18 plain	4
12	1182-J7*	SPARK PLUG, Champion (REM38S) or Auburn (SR83P)	8
**	01P19762-9-48	BAG, Magneto harness attaching	1

* Item No. 12 spark plugs are used in current production only. Additional spark plugs are available for this engine. See latest edition of Lycoming Service Instruction No. 1042 for complete listing of all approved spark plugs.

** See page 4-2 for a breakdown of individual parts contained in the magneo and harness attaching parts bag. These parts are to be attached by customer per engine drawing included in each bag.

MAGNETO ISOLATION DRIVE Kit P/N LW-15436 available.

P/N 01P19762-9-48

Part No.	Part Name	Qty.
LW-16266-25-25	CLIP, One wire	4
LW-14060	CLIP, Two wire	4
STD-8	WASHER, 1/4 plain	12
STD-1874	SCREW, 1/4 -20 x 13/16 long	4
76734	ZIP STRAP	4
LW-16266-25-50	CLAMP, Four wire	2
72815	BRACKET, Twist	1
73152	BRACKET, Support	1
STD-692	SCREW, No. 10-32 x 1/2 long	1
STD-425	WASHER, No. 10 plain	1
STD-670	LOCKNUT, No. 10-32	1
LW-M-2375	PLATE, Spark plug cable	2
STD-251	WASHER, No. 10 internal lock	2
LW-25-1.13	BOLT, 1/4-20 x 1-1/8 long	2
LW-14875	BRACKET, Extension	1

ATTACHING HARDWARE

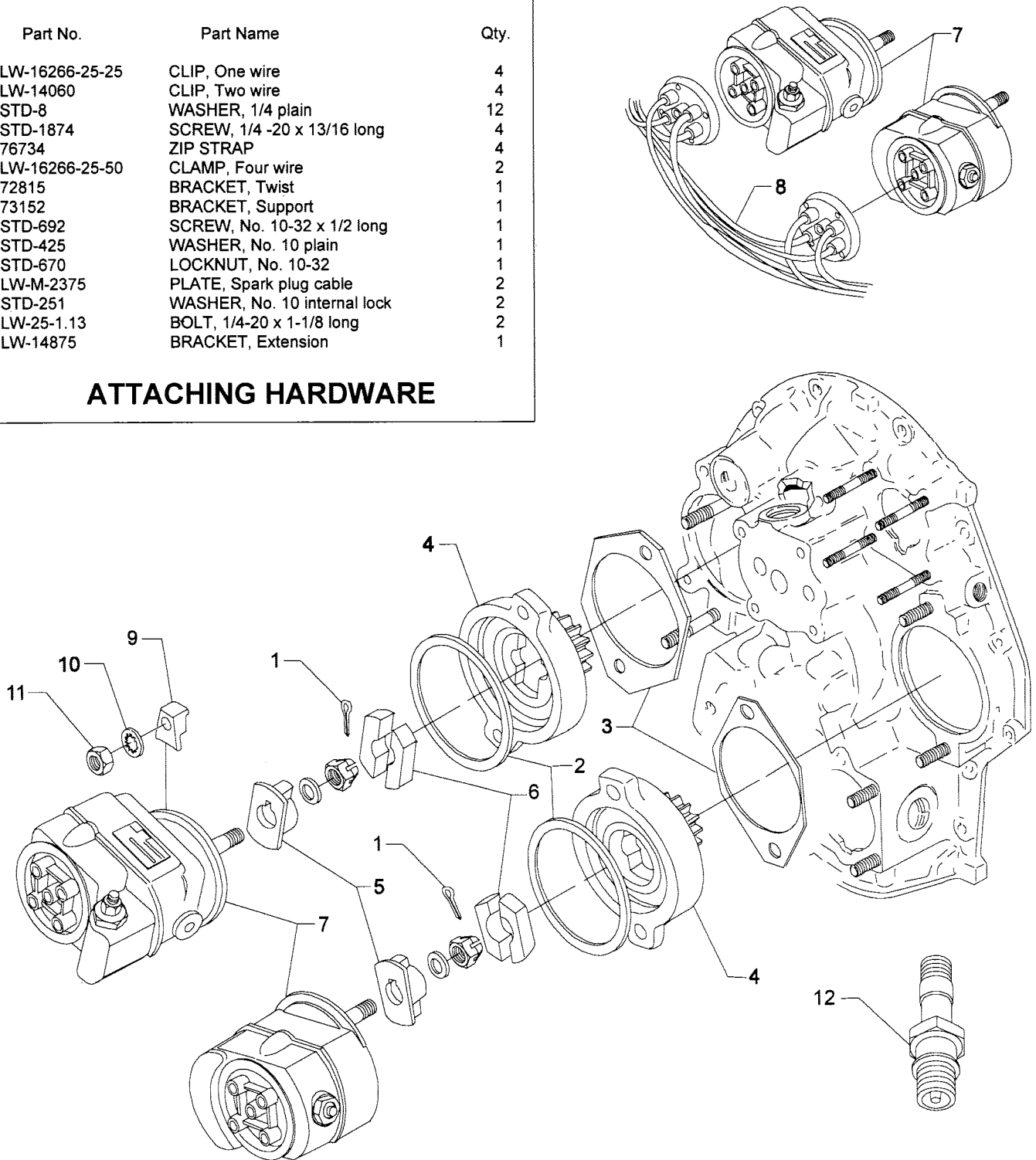


Figure 15. MAGNETOS, MAGNETO DRIVES, HARNESSES AND SPARK PLUGS

ELECTRICAL SYSTEM PRESTOLITE STARTER AND ATTACHING PARTS

FIG REF. 16	PART NUMBER	DESCRIPTION	QTY. PER ASSY.
1	LW-15572	STARTER, 24 volt, 12/14 pitch pinion (MHB-4016)	1
2	STD-35	WASHER, 5/16 plain	4
3	STD-475	WASHER, 5/16 lock, internal teeth	4
4	LW-31-1.16	BOLT, 5/16-18 x 1-5/32 long, hex. hd.	1
5	STD-1410	NUT, 5/16-18 plain	3

NOTE

See latest edition of Lycoming Service Instruction No. 1154 for complete listing of FAA approved starters, generators, alternators, regulators and relays.

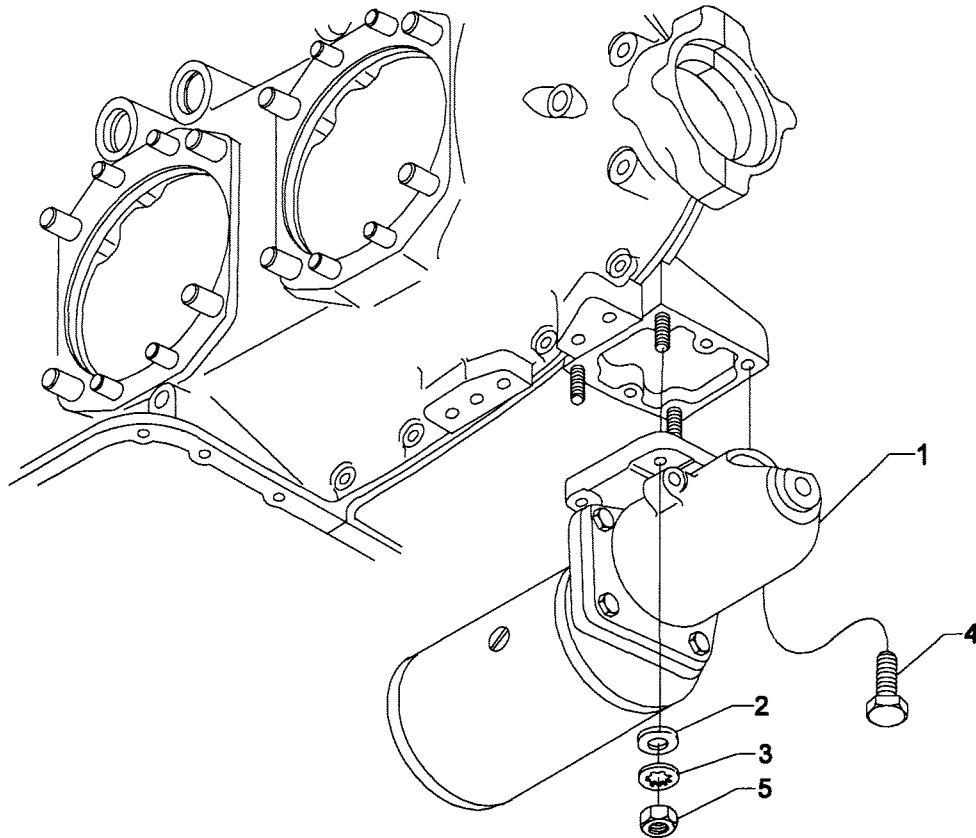


Figure 16. PRESTOLITE STARTER AND ATTACHING PARTS

ELECTRICAL SYSTEM
SKY-TEC STARTER AND ATTACHING PARTS

FIG. REF.	PART NUMBER	DESCRIPTION	QTY. PER ASSY.
17			
1	31B22111	STARTER, Sky-Tec (149-24HT)	1
2	STD-475	WASHER, 5/16 lock, internal teeth	4
3	LW-31-1.09	BOLT, 5/16-18 x 1-3/32 long, hex. hd.	1
4	STD-1410	NUT, 5/16-18 plain	3

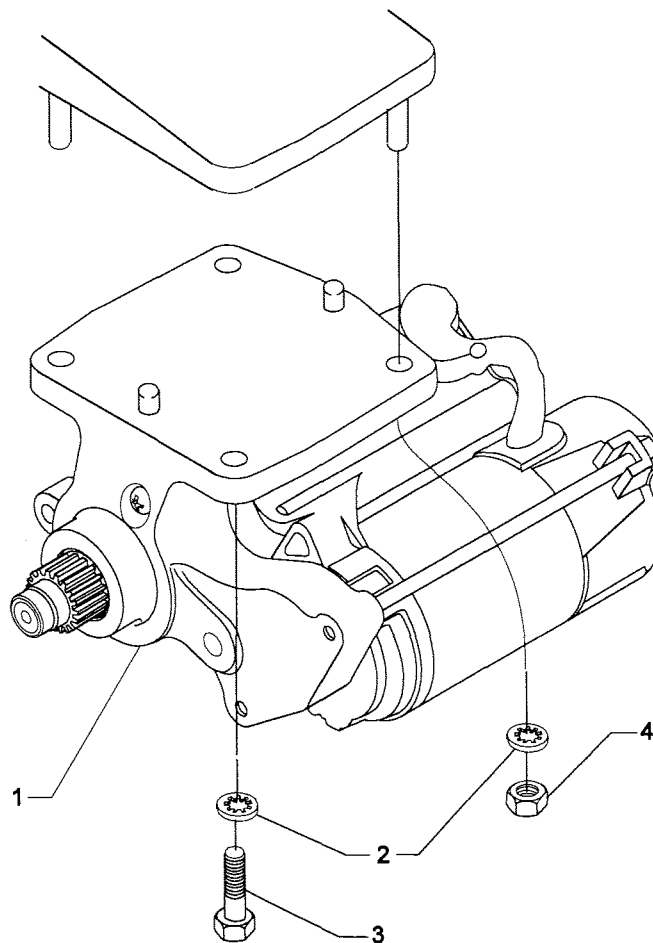


Figure 17. SKY-TEC STARTER AND ATTACHING PARTS

**ELECTRICAL SYSTEM
ALTERNATOR ASSEMBLY AND BELT**

FIG REF. 18	PART NUMBER	DESCRIPTION	QTY. PER ASSY.
1	32C19553	ALTERNATOR ASSY., 24 volt, 70 amp.	1
2	LW-14326	ALTERNATOR, (ALU-8421-LS)	1
3	36B19484	PULLEY, Alternator	1
4	37A19773-376	BELT, Alternator drive, 3/8 wide	1

NOTE

See latest edition of Lycoming Service Instruction No. 1154 for complete listing of FAA approved starters, generators, alternators, regulators and relays.

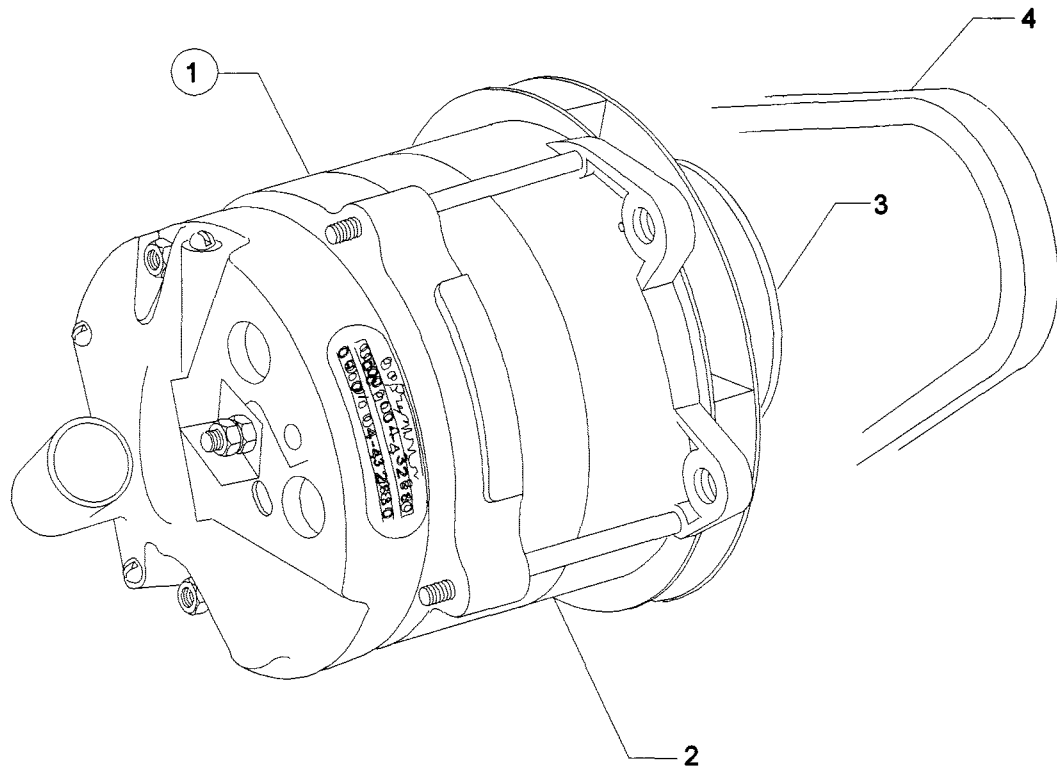


Figure 18. ALTERNATOR ASSEMBLY AND BELT

ELECTRICAL SYSTEM ALTERNATOR MOUNTING AND ATTACHING PARTS

FIG REF. 19	PART NUMBER	DESCRIPTION	QTY. PER ASSY.
1	LW-10382	BRACKET, Alternator	1
2	73383	LOCKPLATE, 5/16 bolt x 1.00 spacing	1
3	LW-31-0.94	BOLT, 5/16-18 x 15/16 long, hex. hd.	2
4	75380	LINK, Alternator adjusting	1
5	STD-35	WASHER, 5/16 plain	1
6	LW-31H0.75	BOLT, 5/16-18 x 3/4 long, hex. hd.	1
7	STD-1727	WASHER, Plain, 3/4 O.D. x 11/32 I.D. x 1/8 thick	1
8	LW-31H0.75	BOLT, 5/16-18 x 3/4 long, hex. hd.	1
9	74323	STRUT, Alternator support	1
10	LW-31H0.75	BOLT, 5/16-18 x 3/4 long, hex. hd.	1
11	STD-690	WASHER, 13/16 O.D. x 25/64 I.D. x 1/16 thick	1
12	AN6-14	BOLT, 3/8-24 x 1-37/64 long, hex. hd., drilled end	1
13	STD-690	WASHER, 13/16 O.D. x 25/64 I.D. x 1/16 thick	1
14	STD-872	NUT, 3/8-24 slotted	1
15	STD-713	COTTER PIN, 3/32 dia. x 3/4 long	1
16	AN6-16	BOLT, 3/8-24 x 1-53/64 long, hex. hd., drilled end	1
17	76534	SHIM, 1-1/8 O.D. x 13/32 I.D. x .005 thick	AR
18	STD-690	WASHER, 13/16 O.D. x 25/64 I.D. x 1/16 thick	AR
19	STD-872	NUT, 3/8-24 slotted	1
20	STD-713	COTTER PIN, 3/32 dia. x 3/4 long	1

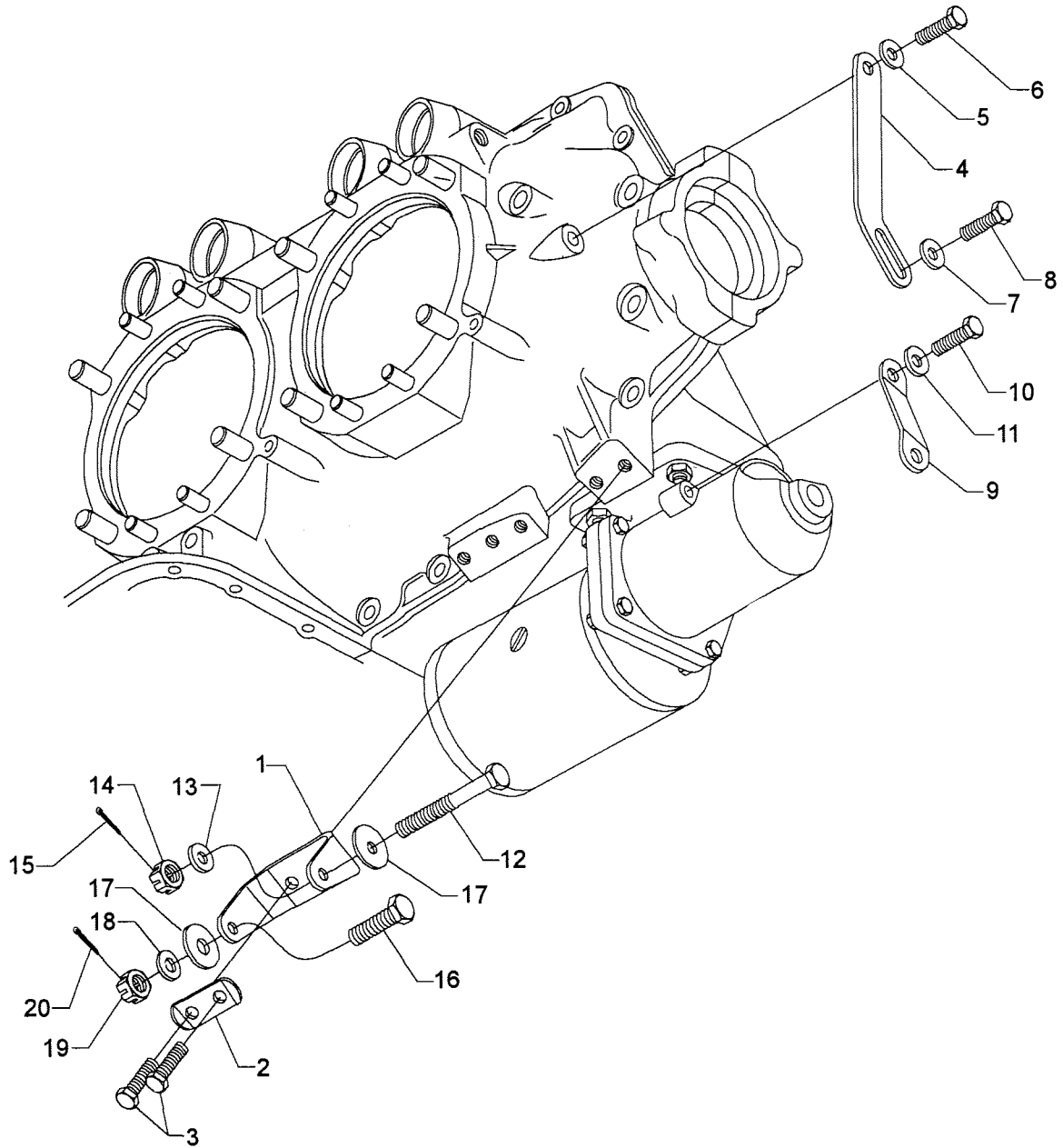


Figure 19. ALTERNATOR MOUNTING AND ATTACHING PARTS

OIL SUMP AND INDUCTION SYSTEM OIL SUMP ASSEMBLY AND OIL SUCTION SCREEN

FIG REF. 20	PART NUMBER	DESCRIPTION	QTY. PER ASSY.
1	LW-13353	GASKET, Oil sump	1
2	56A22204	SUMP ASSEMBLY, Oil	1
3	69602	CONNECTION, Intake pipe	4
4	61400	STUD, 1/4-20 x 1-3/16 long	4
5	31C-14	STUD, 5/16-18 x 1-3/4 long	4
6	1102	PLUG, 1/8 pipe	2
7	STD-551	PLUG, 1/2-14 NPT, Sq. hd., drilled	1
8	STD-8	WASHER, 1/4 plain	28
9	STD-160	WASHER, 1/4 lock, internal teeth	20
10	LW-25-0.94	BOLT, 1/4-20 x 15/16 long, hex. hd.	8
11	LW-25-1.13	BOLT, 1/4-20 x 1-1/8 long, hex. hd.	2
12	STD-1411	NUT, 1/4-20 plain	18
13	70484	SCREEN, Oil suction	1
14	06E19769-1.00	GASKET, 1.00 I.D. x 1-1/4 O.D. x 3/32 annular	1
15	LW-12545	PLUG, 5/8 hex. hd. x 1.00-20 thread	1

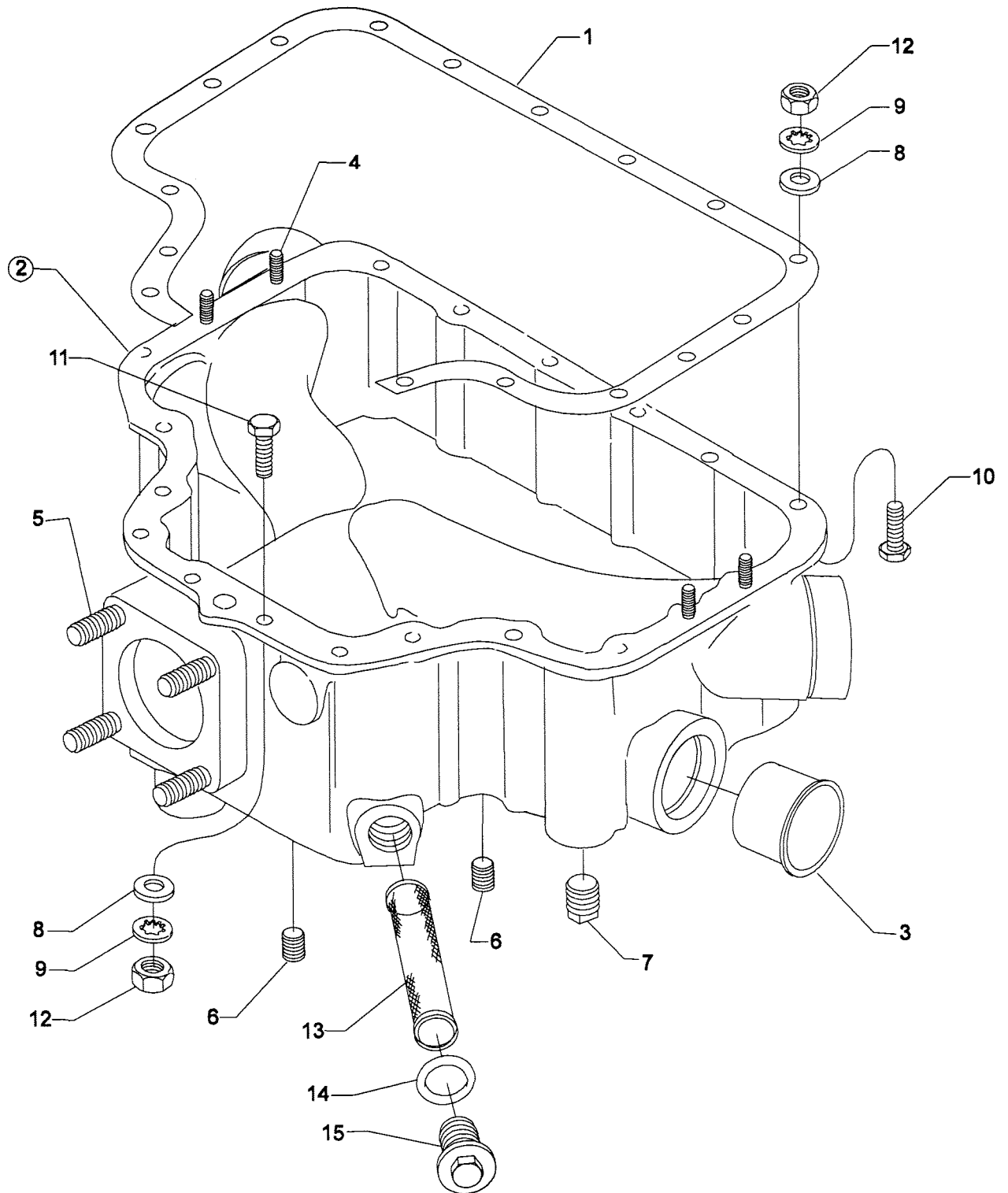


Figure 20. OIL SUMP ASSEMBLY AND OIL SUCTION SCREEN

OIL SUMP AND INDUCTION SYSTEM INTAKE PIPES AND ATTACHING PARTS

FIG REF. 21	PART NUMBER	DESCRIPTION	QTY. PER ASSY.
1	71712	PIPE, Intake, cyls. 1 & 2	2
	71713	PIPE, Intake, cyls. 3 & 4	2
2	69603	HOSE, 1-3/4 I.D. x 2-3/16 O.D. x 1-3/4 long	4
3	LW-15592-8-28	CLAMP, Hose	8
4	71973	GASKET, 2 bolt flange, 1-3/4 I.D.	4
5	73346	FLANGE, Intake pipe, upper	4
6	STD-8	WASHER, 1/4 plain	8
7	STD-160	WASHER, 1/4 lock, internal teeth	8
8	LW-25-1.25	BOLT, 1/4-20 x 1-1/4 long, hex. hd.	8
9	1102	PLUG, 1/8 pipe	2
10	75444*	ADAPTER ASSY., Fuel drain valve	1

* Part shipped loose.

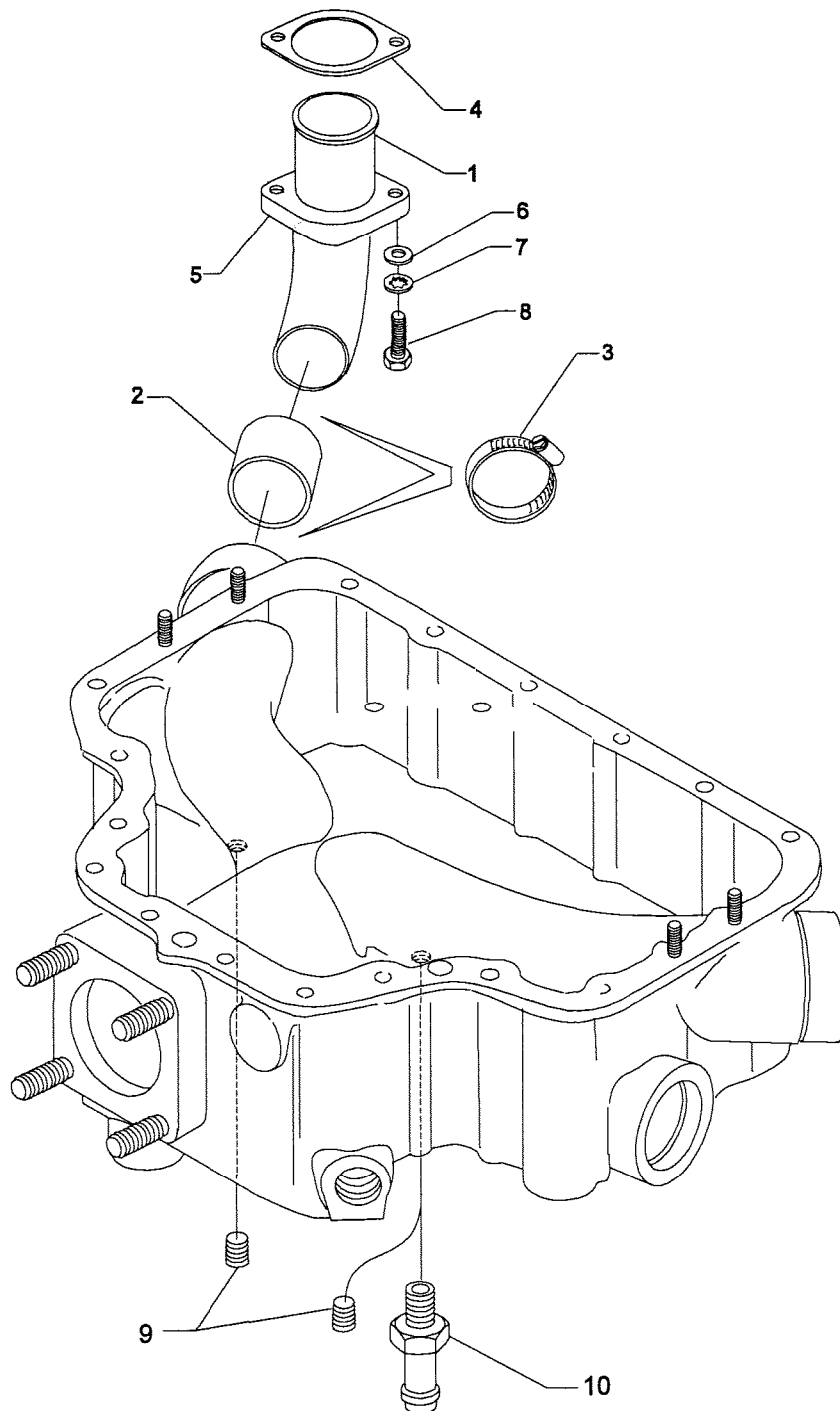


Figure 21. INTAKE PIPES AND ATTACHING PARTS

**OIL SUMP AND INDUCTION SYSTEM
CARBURETOR ASSEMBLY**

FIG REF. 22	PART NUMBER	DESCRIPTION	QTY. PER ASSY.
1	77154	GASKET, Carburetor	1
2	61E22121	CARBURETOR, HA-6 (10-6030)	1
3	STD-35	WASHER, 5/16 plain	4
4	STD-475	WASHER, 5/16 lock, internal teeth	4
5	STD-1410	NUT, 5/16-18 plain	4

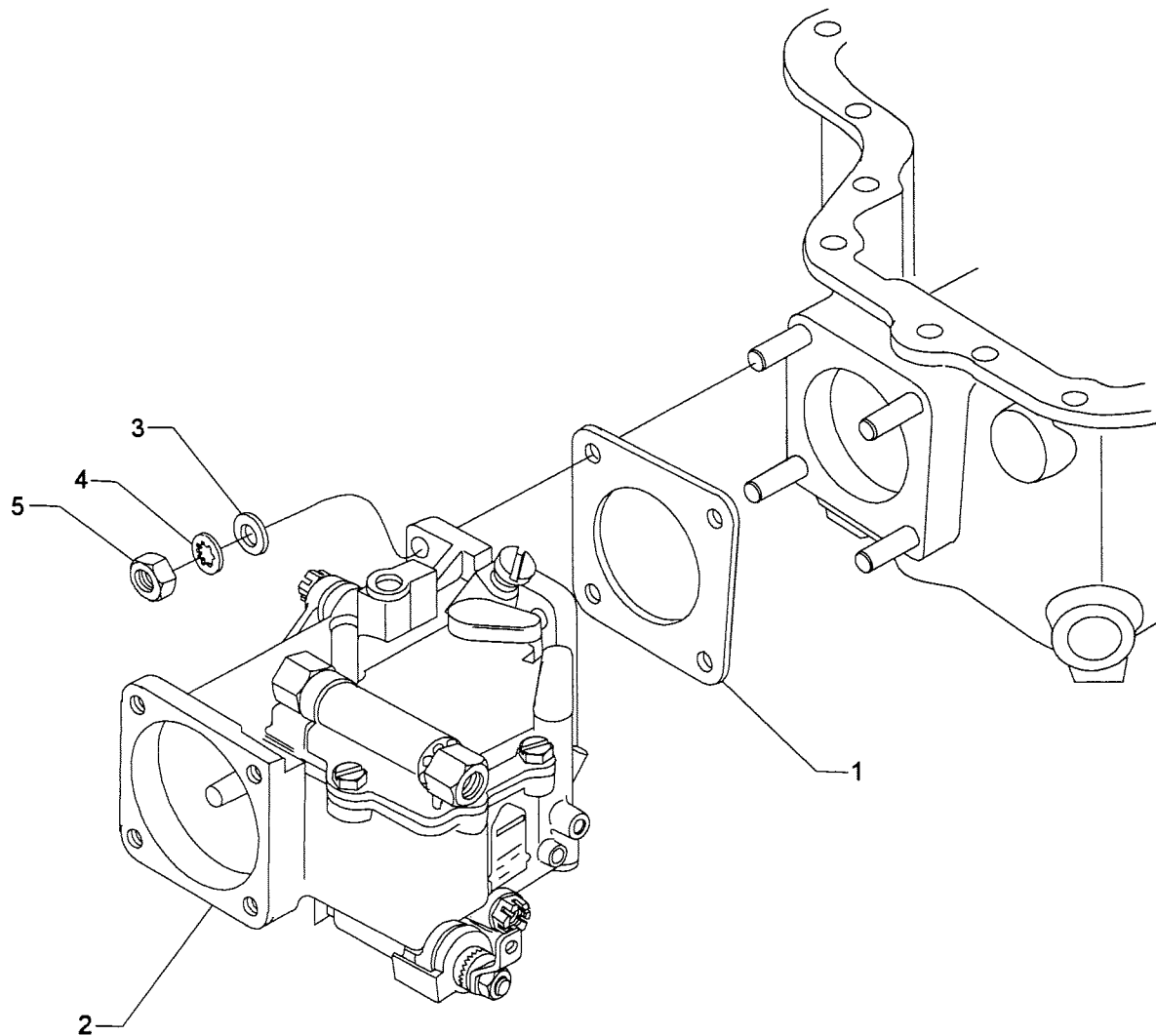


Figure 22. CARBURETOR ASSEMBLY

OIL SUMP AND INDUCTION SYSTEM PRIMING SYSTEM

FIG REF. 23	PART NUMBER	DESCRIPTION	QTY. PER ASSY.
1	LW-12098-0-280	TUBE ASSY., Primer, cyl. no. 1	1
2	LW-12098-0-180	TUBE ASSY., Primer, cyl. no. 2	1
3	LW-12098-0-130	TUBE ASSY., Primer, cyl. no. 4	1
4	LW-12098-0-140	TUBE ASSY., Primer, intermediate	1
5	LW-12598	SLEEVE, Priming line	3
6	1102*	PLUG, 1/8 NPT, Allen head	1
7	LW-16266-25-13	CLAMP	6
8	73152	BRACKET, Support clamp	2
9	STD-425	WASHER, No. 10 plain	3
10	STD-692	SCREW, No. 10-32 x 1/2 long, rd. hd.	3
11	STD-670	NUT, No. 10-32 self-locking	3
12	LW-14432	BRACKET, Support clamp	1
13	LW-18959-175-25	CLAMP, 1-3/4 I.D. with 1/4 dia. offset	3
14	STD-553	SCREW, No. 6-32 x 1/2 long, rd. hd.	3
15	AN365-632A	NUT, No. 6-32 self-locking	3
16	02A22046	TEE, Primer line	1
17	STD-853	TEE, Union, 1/8 tube	1
18	63D21408	NIPPLE ASSY., Primer	3

* Assemble in cylinder head.

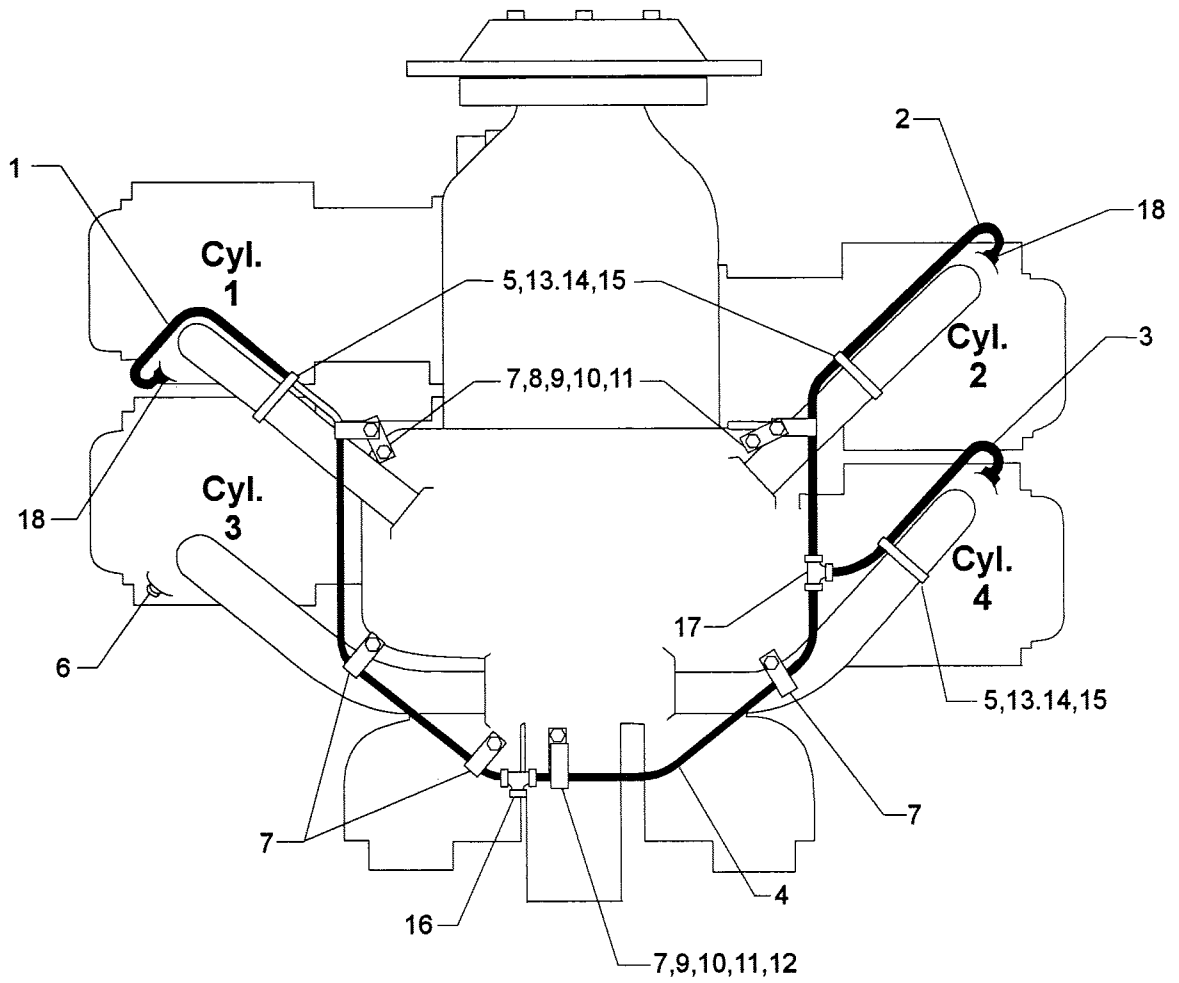


Figure 23. PRIMING SYSTEM

SERVICE KIT SECTION SEAL AND GASKET KIT

Part No.	Part Name	Qty.
75439-1	SEAL AND GASKET SET	1
LW-10332	LOCKPLATE, Crankshaft gear	1
LW-12272	LOCKPLATE, Shroud tube	4
LW-12681	GASKET, Magneto	2
LW-12795	GASKET, Oil filter adapter	1
LW-13353	GASKET, Oil sump	1
LW-13792*	SEAL, Crankshaft oil	1
LW-14260	SEAL, Tachometer drive	1
LW-14995	SPRING, Shroud tube	4
LW-18639	LOCKPLATE, Crankshaft gear	1
LW-18661	SEAL, Shroud tube	8
LW-19296	GASKET, Exhaust flange	4
STD-213	SEAL, Oil	1
06A19956	SEAL, Oil	1
06E19769-0.63	GASKET	2
06E19769-1.00	GASKET	1
06E19769-1.25	GASKET	1
1691-C	GASKET, Fuel pump	1
60096	GASKET, Fuel pump	1
61173	GASKET, Oil pressure housing	1
61183	GASKET, Accessory adapter	1
62224	GASKET, Magneto adapter	3
66224	GASKET, Carburetor	2
68315	GASKET, Accessory drive	1
69164	GASKET, Fuel pump adapter	1
69345	SPACER	4
69551	GASKET, Accessory drive	1
70310	SEAL, Shroud tube	8
70455	GASKET	1
71481	RING, Oil seal	4
71973	GASKET	4
72053	GASKET, Governor	2
72059	GASKET, Oil level gage	1
72075	SEAL, Oil	6
72078	LOCKPLATE	2
72091	RING, Oil seal	2
72220	GASKET, Oil level gage	1
72312	RING, Oil seal	1
72829	LOCKPLATE	1
73189	GASKET	1
73383	LOCKPLATE	2
73817	LOCKPLATE	2
73818	GASKET, Accessory housing	1
74065	RING, Oil level gage seal	1
74068	RING, Oil level gage plug	1

SERVICE KIT SECTION SEAL AND GASKET SET

Part No.	Part Name	Qty.
75439-1	SEAL AND GASKET SET (CONT.)	
75906	GASKET, Rocker box cover	4
76510	GASKET, Oil cooler bypass	1
76940*	SEAL, Crankshaft oil	1
77154	GASKET, Carburetor	1
77611	GASKET, Exhaust flange	4
8313	GASKET, Vacuum pump	1

* Refer to latest edition of Lycoming Service Instruction No. 1324 for application.

SERVICE KIT SECTION CYLINDER, PISTON AND RING ASSEMBLY KIT

Part No.	Part Name	Qty.
05K21104	KIT - CYLINDER, PISTON AND RING ASSY.	1
LW-12427	CYLINDER AND HEAD ASSY.	1
LW-19001	VALVE, Exhaust	1
73938	VALVE, Intake	1
LW-11800	SPRING, Valve, outer	2
LW-11795	SPRING, Valve, inner	2
LW-10077	SEAT, Valve spring, upper, intake	1
LW-16475	SEAT, Valve spring, upper, exhaust	1
65441	SEAT, Valve spring, lower, intake	1
LW-13323	SEAT, Valve spring, lower, exhaust	1
60009	KEY, Valve, intake	2
17C21191	KEY, Valve, exhaust	2
17C19386	CAP, Valve stem, exhaust	1
75089	PISTON	1
74241	RING, Piston, compression	2
14H21950	RING, Piston, oil regulating	1
LW-14077	PIN, Piston	1
LW-11775	PLUG, Piston pin	2
60828	PLUG, Piston pin	2
71481	RING, Oil seal	1
LW-18661	SEAL, Shroud tube	2
70310	SEAL, Shroud tube	2
75906	GASKET, Rocker box cover	1

SERVICE KIT SECTION CRANKCASE ASSY. AND THRU STUD KIT
--

Part No.	Part Name	Qty.
11B20061-3SL-S	CRANKCASE ASSY. AND THRU STUD KIT	1
11B20061-3SL	CRANKCASE ASSY.	1
STD-1339	PLUG, 1/16 pipe	4
STD-2090	NUT	2
1102	PLUG, 1/8 pipe	6
74887	SPACER	2
76220	THRU STUD	4
SSP-582	TAG (Thin wall bearing)	1
SSP-272	TAG (Piston cooling nozzles)	1

NUMERICAL INDEX

PART NO.	PART NAME	PAGE NO.	PART NO.	PART NAME	PAGE NO.
AN365-632A	Nut	6-7	LW-12427	Cyl. & Head Assy.	3-3
AN6-14	Bolt	5-5	LW-12545	Plug	6-1
AN6-16	Bolt	5-5	LW-12598	Sleeve	6-7
AN6-34A	Bolt	1-9	LW-12681	Gasket	4-1
AN960-616L	Washer	1-9	LW-12892	Thrust Button	3-5
LW-25-0.94	Bolt	2-3	LW-13323	Seat	3-7
LW-25-0.94	Bolt	2-7	LW-13353	Gasket	6-1
LW-25-0.94	Bolt	6-1	LW-13521	Bearing	3-1
LW-25-1.13	Bolt	1-9	LW-13790	Shaft	3-5
LW-25-1.13	Bolt	2-3	LW-13792	Seal	1-3
LW-25-1.13	Bolt	6-1	LW-13793	Stud	1-1
LW-25-1.25	Bolt	6-3	LW-13796	Shaft	1-7
LW-25-1.50	Bolt	1-9	LW-13884	Bearing	1-3
LW-25-1.50	Bolt	2-3	LW-13923	Bushing	3-1
LW-25H1.00	Bolt	2-7	LW-14077	Pin	3-1
LW-25S1.50	Bolt	1-9	LW-14230	Cushions	4-1
LW-25-1.75	Bolt	1-9	LW-14260	Seal	2-3
LW-31H0.75	Bolt	5-5	LW-14326	Alternator	5-3
LW-31H0.88	Bolt	1-7	LW-14432	Bracket	6-7
LW-31-0.94	Bolt	5-5	LW-14727	Gage Assy.	1-3
LW-31-1.09	Bolt	5-2	LW-14910	Coupling	4-1
LW-31-1.16	Bolt	5-1	LW-14995	Spring	3-7
LW-38-0.75	Bolt	2-5	LW-15416	Adapter Assy., Mag.	4-1
LW-10077	Seat	3-7	LW-15572	Starter	5-1
LW-10382	Bracket	5-5	LW-15592-5-05	Hose	3-9
LW-11485	Shroud Tube Assy.	3-7	LW-15592-8-28	Clamp	6-3
LW-11713	Spring	1-3	LW-16266-25-13	Clamp	6-7
LW-11750-S	Conn. Rod Assy.	3-1	LW-16471	Support Assy.	1-5
LW-11775	Plug	3-1	LW-16475	Seat	3-7
LW-11795	Spring	3-7	LW-16711	Bearing	1-3
LW-11800	Spring	3-7	LW-18085	Spring	1-3
LW-11997	Seal	1-3	LW-18639	Lockplate	1-5
LW-12098-0-130	Tube Assy.	6-7	LW-18661	Seal	3-7
LW-12098-0-140	Tube Assy.	6-7	LW-18667	Pin	1-7
LW-12098-0-180	Tube Assy.	6-7	LW-18840	Camshaft Assy.	1-7
LW-12098-0-280	Tube Assy.	6-7	LW-18959-175-25	Clamp	6-7
LW-12186	Nut	3-1	LW-19001	Valve	3-7
LW-12272	Lockplate	3-7	MS20823-6D	Elbow	3-3

NUMERICAL INDEX (Continued)

PART NO.	PART NAME	PAGE NO.	PART NO.	PART NAME	PAGE NO.
STD-8	Washer	1-9	STD-713	Cotter Pin	4-1
STD-8	Washer	2-3	STD-713	Cotter Pin	5-5
STD-8	Washer	2-5	STD-783	Plug	2-5
STD-8	Washer	2-7	STD-784	Plug	2-1
STD-8	Washer	6-1	STD-784	Plug	2-7
STD-8	Washer	6-3	STD-853	Tee	6-7
STD-8	Washer	6-5	STD-872	Nut	1-9
STD-33	Washer	1-9	STD-872	Nut	5-5
STD-33	Washer	2-5	STD-1065	Dowel	1-5
STD-35	Washer	2-3	STD-1339	Plug	1-1
STD-35	Washer	2-5	STD-1353	Insert	3-3
STD-35	Washer	3-3	STD-1409	Nut	1-9
STD-35	Washer	5-1	STD-1410	Nut	2-5
STD-35	Washer	5-5	STD-1410	Nut	3-3
STD-35	Washer	6-5	STD-1410	Nut	4-1
STD-160	Washer	1-9	STD-1410	Nut	5-1
STD-160	Washer	2-3	STD-1410	Nut	5-2
STD-160	Washer	2-5	STD-1410	Nut	6-5
STD-160	Washer	2-7	STD-1411	Nut	1-9
STD-160	Washer	6-1	STD-1411	Nut	2-5
STD-160	Washer	6-3	STD-1411	Nut	3-7
STD-425	Washer	6-7	STD-1421	Nut	6-7
STD-475	Washer	2-5	STD-1420	Nut	2-3
STD-475	Washer	3-3	STD-1623	Insert	1-1
STD-475	Washer	4-1	STD-1727	Washer	5-5
STD-475	Washer	5-1	STD-1821	Hose	3-9
STD-475	Washer	5-2	STD-1925	Screw	3-9
STD-475	Washer	6-5	STD-2090	Nut	3-5
STD-514	Dowel	1-1	STD-2168	Nut	1-7
STD-551	Plug	6-1	STD-2213	Screw	1-5
STD-553	Screw	6-7	STD-2231	Ring	1-7
STD-557	Dowel	1-1	25C-8	Stud	3-3
STD-596	Nut	1-9	25C-11	Stud	2-1
STD-670	Nut	6-7	25C-12	Stud	2-1
STD-678	Washer	1-9	31C-12	Stud	1-1
STD-678	Washer	2-5	31C-12	Stud	2-1
STD-684	Nipple	3-9	31C-12	Stud	3-3
STD-690	Washer	5-5	31C-13	Stud	1-1
STD-692	Screw	6-7	31C-14	Stud	6-1

NUMERICAL INDEX (Continued)

PART NO.	PART NAME	PAGE NO.	PART NO.	PART NAME	PAGE NO.
38-13	Stud	1-1	69796	Dowel	1-1
38D-17	Stud	1-1	70310	Seal	3-7
50-15	Stud	1-1	LW-11997	Seal	3-7
383-B	Nut	3-5	70484	Screen	6-1
1028-B	Ball	1-3	71140	Fitting	2-7
1102	Plug	1-1	71481	Ring	3-5
1102	Plug	2-1	71610	Hook	3-9
1102	Plug	3-3	71611	Retainer	3-9
1102	Plug	6-1	71712	Intake Pipes	6-3
1102	Plug	6-3	71713	Intake Pipes	6-3
1102	Plug	6-7	71973	Gasket	6-5
1182-J7	Spark Plug	4-1	72057	Seat	3-3
1540	Plug	2-7	72058	Seat	3-3
60009	Key	3-7	72059	Gasket	1-3
60096	Gasket	2-5	72075	Seal	1-3
60430	Cover	2-5	72091	Ring	1-3
60803	Strap	1-9	72155-S	Bushing	1-5
61084	Spring	1-3	72312	Ring	1-3
61174	Shaft	2-3	72566	Gear	1-5
61183	Gasket	2-5	72877	Body	1-3
61247	Cover	3-9	73152	Bracket	6-7
61400	Stud	6-1	73346	Flange	6-3
61544	Plunger	1-7	73383	Lockplate	5-5
61681	Guide, Intake	3-3	73437	Rod Assy.	3-5
62224	Gasket	4-1	73818	Gasket	2-1
62417	Plug	2-7	74230	Guide, Exhaust	3-3
65098	Fuel Pump Cover	2-5	74241	Ring	3-1
65441	Seat	3-7	74323	Strut	5-5
66610	Bushing	3-3	74637	Bushing	3-5
66796	Insert	3-3	74887	Spacer	3-5
68668	Spring	1-3	74996	Gear Assy.	1-7
68759	Tube Assy.	3-9	75061	Bolt	3-1
68760	Tube Assy.	3-9	75072	Gear Assy.	1-7
68761	Tube Assy.	3-9	75089	Piston	3-1
69106	Cover	2-5	75154	Stud	1-1
69551	Gasket	2-5	75339	Baffle Assy.	3-9
69602	Connection	6-1	75380	Link	5-5
69603	Hose	6-3	75444	Adapter Assy., Fuel	6-3

NUMERICAL INDEX (Continued)

PART NO.	PART NAME	PAGE NO.	PART NO.	PART NAME	PAGE NO.
75656-S	Bushing	1-7	37A19773-376	Belt, Alternator	5-3
75657-S	Bushing	1-7	56A22204	Sump Assy.	6-1
75888	Stud	2-1	61E22121	Carburetor	6-5
75906	Gasket	3-9	63D21408	Nipple Assy.	6-7
76118	Spacer	1-7	66GP-OSANN	Magneto	4-1
76121	Shaft Assy.	1-7	66GR25SANN	Magneto	4-1
76220	Stud	1-9	66M21195	Clamp	4-1
76534	Shim	5-5	67P20400	Harness Assy.	4-1
77154	Gasket	6-7	67P20403	Harness Assy.	4-1
77309	Bushing	1-7			
77416	Plug	1-5			
77467	Spring	1-3			
77808	Valve Assy.	1-3			
77962	Adapter	1-3			
78290	Plunger Assy.	3-7			
78531	Body	2-3			
01P19762-9-48	Bag Attaching	4-1			
02A22046	Tee	6-7			
05K19423-S	Impeller Kit	2-3			
06B21644	Gasket	2-7			
06E19769-0.63	Gasket	2-7			
06E19769-1.00	Gasket	6-1			
06E19769-1.25	Gasket	1-3			
11B20061-3SL	Crankcase Assy.	1-1			
13B27123	Crk'shft & Bush. Assy.	1-5			
13S19646	Gear	1-5			
14H21950	Ring	3-1			
15B21319	Socket	3-7			
15F19957-34	Rod Assy.	3-5			
15F19957-35	Rod Assy.	3-5			
15F19957-36	Rod Assy.	3-5			
17C19386	Cap	3-7			
17C21191	Key	3-7			
17F19357	Rocker Assy.	3-5			
18A19441	Bearing	1-3			
21A21533-24	Housing Assy.	2-1			
21M21643	Cover	2-7			
31B22111	Starter	5-2			
32C19553	Alternator Assy.	5-3			
36B19484	Pulley	5-3			