

INTRODUCTION

This illustrated parts catalog contains a complete parts listing for the Lycoming Engines 0, TO, HO, H10-360 series standard cylinder flange model aircraft engines.

Major assembly and sub-assembly parts of the engines are listed in the Group Assembly sections in the general sequence of engine build up.

A Service Kits section and Oversize and Undersize Parts List are included to aid in ordering parts as necessary during overhaul.

The Numerical Index is provided for convenience in finding parts when only the part number is known.

Parts coverage of Vendor Accessories used on Lycoming engines may be found in the appropriate Vendor's Parts Catalog. A list of these publications appear in the latest edition of Service Letter No. L114.

NOTE

The illustrations, pictures and drawings shown in this publication are typical of the subject matter they portray.

This catalog, when used in conjunction with the appropriate overhaul manual, shall be used for parts identification only. Under no circumstances shall this catalog be used as an assembly or installation document.

Any reference in this document to a suppliers/parts manufacturers' product, by name, trademark, part number or other description is solely for the purposes of identification and does not indicate or infer that Lycoming Engines accepts responsibility for quality control and/or airworthiness of parts which do not pass through the Lycoming Engines quality control system.

SERVICE BULLETINS, INSTRUCTIONS AND LETTERS

Although the information contained in this parts catalog is up-to-date at time of publication, users are urged to keep abreast of later information through all Lycoming Engines distributors or from the factory by subscription. Consult the latest edition of Service Letter No. L114 for subscription information.

HOW TO ORDER PARTS

In ordering parts for your engine, observe the following instructions which will expedite shipment of correct parts required without delay.

- a. Always specify the model and serial number of your engine.
- b. Always specify Part Number, Nomenclature and quantity required.

TABLE OF CONTENTS

SECTION	PAGE
Introduction	i
Table of Contents	ii
Oversize and Undersize Parts	iii
1. CRANKCASE, CRANKSHAFT AND CAMSHAFT GROUP	
Crankcase Assembly	1-1
Oil Level Gage and Crankcase Related Parts	1-3
Crankshaft, Camshaft and Related Parts	1-5
Crankshaft Idler Gears	1-7
Propeller Governor Drive Assembly	1-8
Crankcase Attaching Parts	1-10
2. ACCESSORY HOUSING AND RELATED PARTS	
Accessory Housing Assembly	2-1
Propeller Governor Oil Lines	2-3
Oil Pump Assembly and Accessory Housing Attaching Parts	2-5
Oil Filter Assembly	2-7
Oil Cooler and Breather Fittings	2-8
Vacuum Pump Drives and Covers	2-10
Vacuum Pump Drives and Covers (Dual Drives)	2-11
Fuel Pump and Fuel Pump Covers	2-13
3. CYLINDER, PISTON AND VALVE TRAIN	
Cylinder Assembly	3-1
Connecting Rod, Piston and Ring Assemblies	3-3
Valve Assembly	3-5
Cylinder Related Parts	3-7
Cylinder Head Drain Tubes and Intercylinder Cooling Baffles	3-9
4. IGNITION SYSTEM	
Magneto Drives and Magnetos	4-1
Ignition Harness and Spark Plugs	4-3
5. ELECTRICAL COMPONENTS	
Alternator and Generator Mounting Brackets	5-1
Alternator and Drive Belts	5-4
Starter Motor and Magnetic Switch	5-5
6. OIL SUMP AND INDUCTION SYSTEM	
Oil Sump Assembly and Oil Suction Screen	6-1
Intake Pipes	6-3
Fuel Injectors, Fuel Manifolds and Injection Nozzles	6-5
Carburetors and Related Parts	6-7
Fuel Lines, Fuel Hoses and Attaching Parts	6-8
Fuel Lines, Fuel Hoses and Attaching Parts	6-9
Priming System	6-11
7. SERVICE KIT SECTION	7-1
8. NUMERICAL INDEX	8-1

Oversize and Undersize Parts Listing

PART NO.	DESCRIPTION	OVERSIZE										UNDERSIZE		
		P02 .002	P05 .005	P10 .010	P15 .015	P20 .020	P30 .030	P40 .040	P50 .050	P75 .075	P125 .125	M03 .003	M06 .006	M10 .010
61681	GUIDE		X	X		X	X	X						
66145	DOWEL			X		X								
66610	BUSHING		X	X										
66670	BUSHING		X	X										
66713	GUIDE		X	X		X	X	X						
66796	INSERT			X										
67453	DOWEL		X											
71894	SEAT			X		X	X							
72057	SEAT			X		X	X							
72058	SEAT			X		X	X							
72060	BUSHING		X	X	X	X								
72061	BUSHING		X	X	X	X								
72062	BUSHING		X	X	X	X								
72212	SEAT			X		X	X							
73857	RING			X		X								
74230	GUIDE		X	X		X	X	X						
74241	RING			X										
74248	BUSHING		X	X	X									
74249	BUSHING		X	X	X									
74989	RING			X		X								
75302	DOWEL			X										
75838	GUIDE		X	X		X	X	X						
LW-10124	BEARING											X	X	X
LW-10647	DOWEL		X	X										
LW-11020	BEARING											X	X	X
LW-12688	SEAT			X		X	X							
LW-13521	BEARING			X								X*	X*	X*
LW-13522	BEARING											X	X	X
LW-13792	SEAL								X					
LW-13884	BEARING				X							X	X	X
STD-1065	DOWEL	X	X	X	X									

Studs available in P03, P07 and P12.

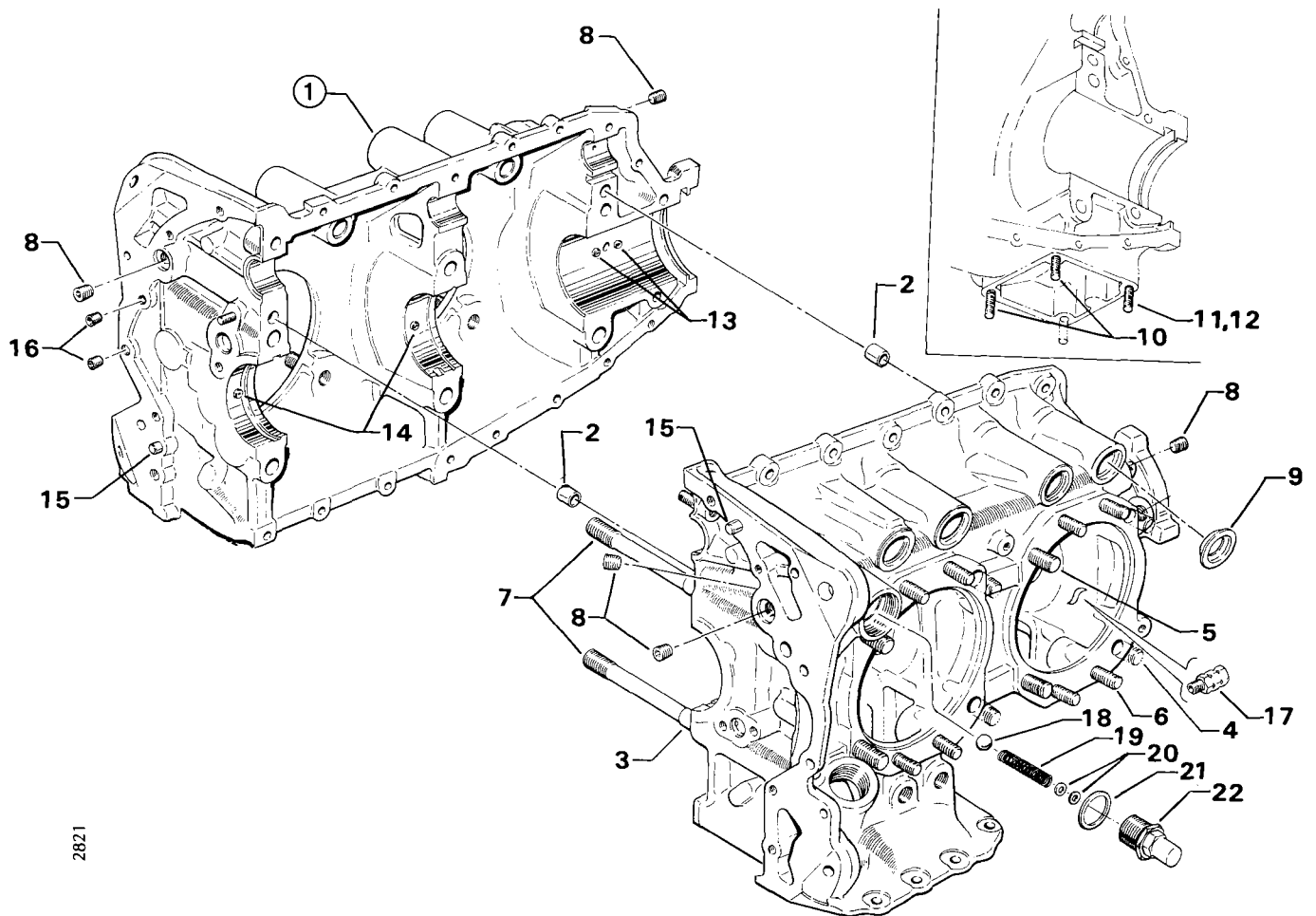
* Also available in P10 oversize.

NOTE

When ordering oversize and undersize parts, be sure to specify the required oversize or undersize dimension along with the proper part number. For example, to order bearing LW-13522 in .003 undersize, order part number LW-13522-M3. Oversize code letter is "P" while undersize code letter is "M". These letters are then followed by the number designating the size in thousandths of an inch.

CRANKCASE, CRANKSHAFT AND CAMSHAFT GROUP
CRANKCASE ASSEMBLY

FIG. REF.	PART NUMBER	DESCRIPTION	QTY	QUANTITY PER ASSEMBLY																								
				O-360												IO-360		HO-360		HIO-360								
				A1	A2	A3	A4	A5	A6	A7	A8	A9	A10	A11	A12	B1	B2	B3	B4	B5	B6	B7						
1	LW-14571-S	CRANKCASE ASSY., Replacement kit												1	1		1	1										
	LW-14491-S	CRANKCASE ASSY., Replacement kit			1	1	1	1	1	1	1	1	1					1	1	1								
	LW-14575-S	CRANKCASE ASSY., Replacement kit													1							1	1	1	1	1		
2	STD-557	DOWEL, 1/2 dia. x 11/16 long, hollow	2																									
3	75302	DOWEL, Crankcase thru-stud																				2						
4	66734	STUD, 1/2-13 x 9-7/8 long	4																									
5	50-15	STUD, 1/2-13 x 1-7/8 long	8																									
6	38-13	STUD, 3/8-16 x 1-5/8 long	16																									
7	69679	STUD, 9/16-18 x 10-21/32 long	2																									
8	1102	PLUG, 1/8-27 NPT, Allen	5																									
9	65007	RETAINER, Shroud tube seal	8																									
10	31C-12	STUD, 5/16-18 x 1-1/2 long		2	2	2	2	2	2	2	2	2	2	2	2	2	2	2	2	2	2	2	2	2	2	2	2	2
11	31CD-12	STUD, 5/16-18 x 1-1/2 long, drilled											1										1	1	1	1		
12	31C-13	STUD, 5/16-18 x 1-5/8 long		1	1	1	1	1	1	1	1	1	1	1	1	1	1	1	1	1	1	1	1	1	1	1	1	1
13	67453	DOWEL, Crankshaft bearing		6	6	6	6	6	6	6	6	6	6	6	6	6	6	6	6	6	6	6	6	6	6	6	6	6
14	LW-10647	DOWEL, Crankshaft bearing																					4					
15	STD-514	DOWEL, 5/16 dia. x 1/2 long	2																									
16	STD-1623	INSERT, 1/4-20 Helicoil x 3/8 long (notched)	2																									
17	73772	NOZZLE ASSY., Piston cooling																					4					
18	1028-B	BALL, 11/16 dia.	1																									
19	61084	SPRING, Oil pressure relief valve	1																									
20	STD-425	WASHER, No. 10 plain (max. 9)	AR																									
21	STD-1045	GASKET, 1-1/4 I.D. x 1-1/2 O.D. x 3/32 annular	1																									
22	76529	PLUG, Oil relief valve	1																									

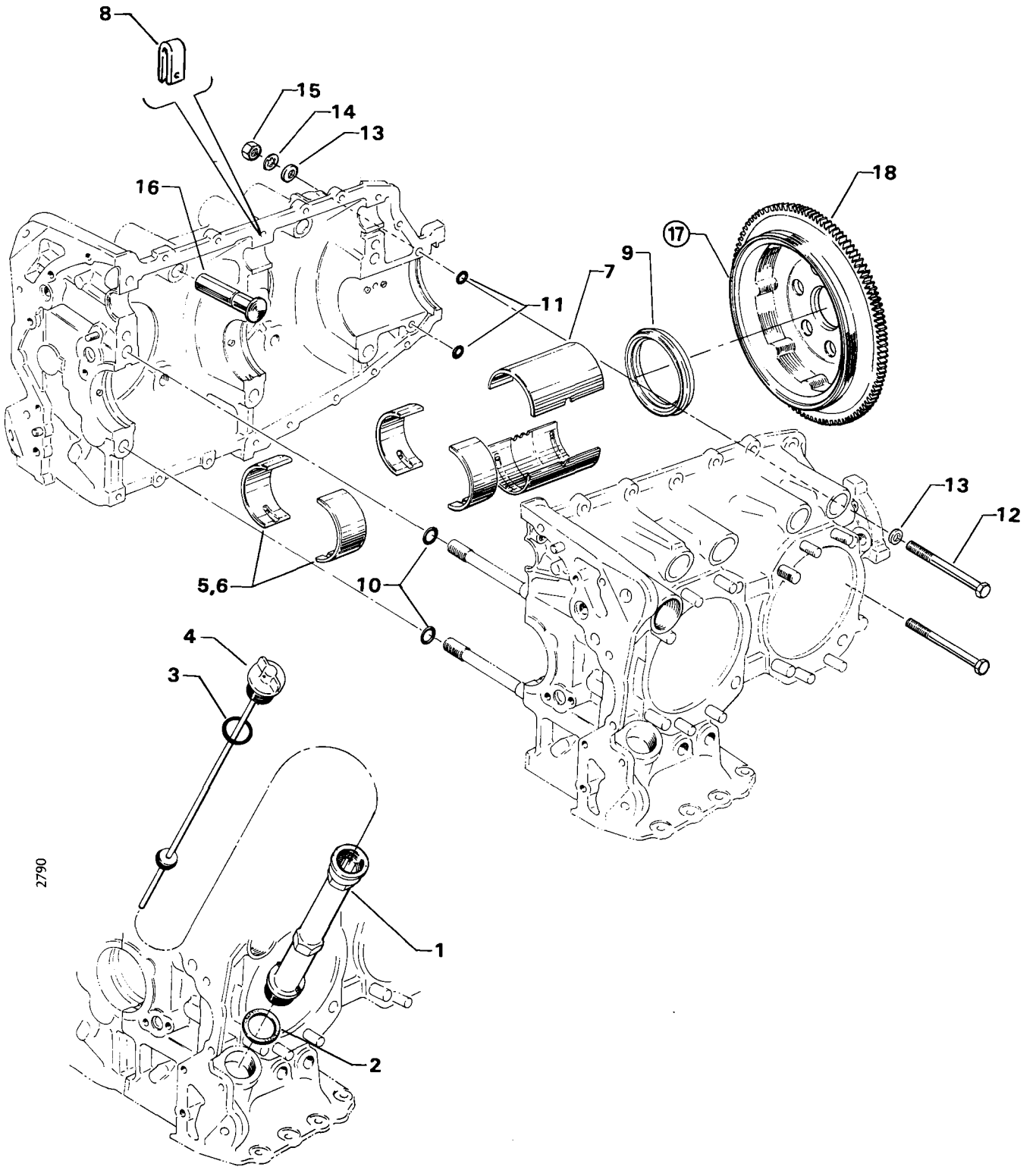


2821

Figure 1. CRANKCASE ASSEMBLY

CRANKCASE, CRANKSHAFT AND CAMSHAFT GROUP
OIL LEVEL GAGE AND CRANKCASE RELATED PARTS

FIG. REF.	PART NUMBER	DESCRIPTION	O N	QUANTITY PER ASSEMBLY																	
				O-360												IO-360		HO-360		HIO-360	
				A1	A2	A3	A1	A1	A2	A2	B2	C2	C2	C2	D2	D2	A1	B1	B1	B1	B1
1	75735	TUBE, Oil level gage		1	1		1	1	1	1	1	1	1	1							
	75736	TUBE, Oil level gage		1	1	1		1	1				1				1	1	1		
	75767	TUBE, Oil level gage, intermediate		1				1									1	1			
	74168	TUBE, Oil level gage, 8 inch						1													
2	72059	GASKET, Oil level gage		1	1	1	1	1	1	1	1	1	1	1		1	1	1			
3	74068	RING, Oil level gage seal		1	1	1	1	1	1	1	1	1	1	1		1	1				
	74065	RING, Oil level gage seal		1				1									1	1	1		
4	LW-14759	GAGE ASSY., Oil level		1	1		1	1	1	1	1	1		1							
	LW-14758	GAGE ASSY., Oil level		1	1	1		1	1				1				1	1			
	LW-14757	GAGE ASSY., Oil level		1	1							1	1		1						
	LW-14780	GAGE ASSY., Oil level, intermediate		1				1									1	1			
	LW-14750	GAGE ASSY., Oil level						1													
	LW-14760	GAGE ASSY., Oil level														1					
5	LW-11020	BEARING, Crankshaft		4	4	4	4	4	4	4	4	4	4	4	4	4	4	4	4	4	4
6	LW-10124	BEARING, Crankshaft (alternate)		4	4	4	4	4	4	4	4	4	4	4	4	4	4	4	4	4	4
	LW-16047	BEARING, Crankshaft (alternate)														4					
7	LW-13884	BEARING, Crankshaft - front		2																	
8	60803	STRAP, Lifting		1	1	1	1	1	1	1	1	1	1	1	1	1	1	2	1	1	
9	LW-13792	SEAL, Crankshaft oil		1																	
10	72075	SEAL, Oil, 3/32 section x 15/32 I.D.		6	6	6	6	6	6	6	6	6	6	6	6	6	4	6	6	6	6
11	72091	RING, Oil seal, 23/64 I.D. x 7/64 dia. section		2																	
12	AN6-34A	BOLT, 3/8-24 x 3-37/64 long, hex. hd.		2																	
13	STD-33	WASHER, 3/8 plain		4																	
14	STD-678	WASHER, 3/8 lock, internal teeth		2																	
15	STD-596	NUT, 3/8-24 plain		2																	
16	72877	BODY, Hydraulic tappet		8																	
17	LW-16064	SUPPORT ASSY., Starter ring gear, 12/14 pitch		1	1	1	1	1	1	1	1	1	1	1	1	1	1	1	1	1	1
	75221	SUPPORT ASSY., Starter ring gear		1				1									1	1	1		
	75030	SUPPORT ASSY., Starter ring gear, 12/14 pitch															1	1			1
18	72566	GEAR, Starter ring, 12/14 pitch		1																	



2790

Figure 2. OIL LEVEL GAGE AND CRANKCASE RELATED PARTS

CRANKCASE, CRANKSHAFT AND CAMSHAFT GROUP
CRANKSHAFT, CAMSHAFT AND RELATED PARTS

FIG. REF.	PART NUMBER	DESCRIPTION	Q N A L L	QUANTITY PER ASSEMBLY																		
				O-360												IO-360		HO-360		HIO-360		
				A 1 A	A 2 A	A 3 A	A 1 C	A 1 D	A 2 D	A 2 E	B 2 A	C 2 A	C 2 C	C 2 D	D 2 A	D 2 B	A 1 A	B 1 A	B 1 B	B 1 A	B 1 B	A 1 A
1	LW-17160	CRANKSHAFT & PLUG ASSEMBLY		1	1		1	1									1	1				
	LW-17161	CRANKSHAFT & PLUG ASSEMBLY				1			1	1	1	1	1	1	1	1						
	LW-17162	CRANKSHAFT & PLUG ASSEMBLY				1																
	LW-17166	CRANKSHAFT & PLUG ASSEMBLY															1					
	LW-17173	CRANKSHAFT & PLUG ASSEMBLY										1						1	1	1	1	1
2	STD-1211	PLUG, 2.00 dia. expansion		1	1	1	1	1	1	1	1	1	1	1	1	1	1	1				
3	1102	PLUG, 1/8-27 NPT, Allen															1					
4	77416	PLUG, Crankshaft										1						1	1	1	1	1
5	STD-1065	DOWEL, Stepped, 5/16 - 1/4 dia. x 35/64 long	1																			
6	72060	BUSHING, Propeller flange, indexing		1	1		1	1	1	1	1	1	1	1	1	1	1	1	1	1	1	1
7	74248	BUSHING, Propeller flange, indexing (long)				1																
8	72061	BUSHING, Propeller flange, short		1	1		1	1	1	1	1	1	1	1	1	1	1	1	1	1	1	1
9	72062	BUSHING, Propeller flange, long		4	4		4	4	4	4	4	4	4	4	4	4	4	4	4	4	4	4
10	74249	BUSHING, Propeller flange, long				5																
11	61510	PLUG, 1-3/4 O.D.		1	1		1	1									1	1				
12	74711	PLUG, 1-1/4 O.D. (1/8 NPT)															1					
13	61155	GEAR, Crankshaft	1																			
14	LW-18639	LOCKPLATE, Crankshaft gear	1																			
15	STD-2213	BOLT, 5/16-24 x 1.00 long	1																			
16	LW-18837	CAMSHAFT ASSEMBLY		1	1	1	1	1	1	1	1	1	1	1	1		1	1	1	1	1	1
	LW-18840	CAMSHAFT ASSEMBLY															1					
17	76118	SPACER, Tachometer shaft centering	1																			
18	76121	SHAFT ASSY., Tachometer	1																			
19	LW-18667	PIN, 3/16 dia. x 2-21/64 long	1																			
20	MS16625-1081	RING, Internal retaining	1																			

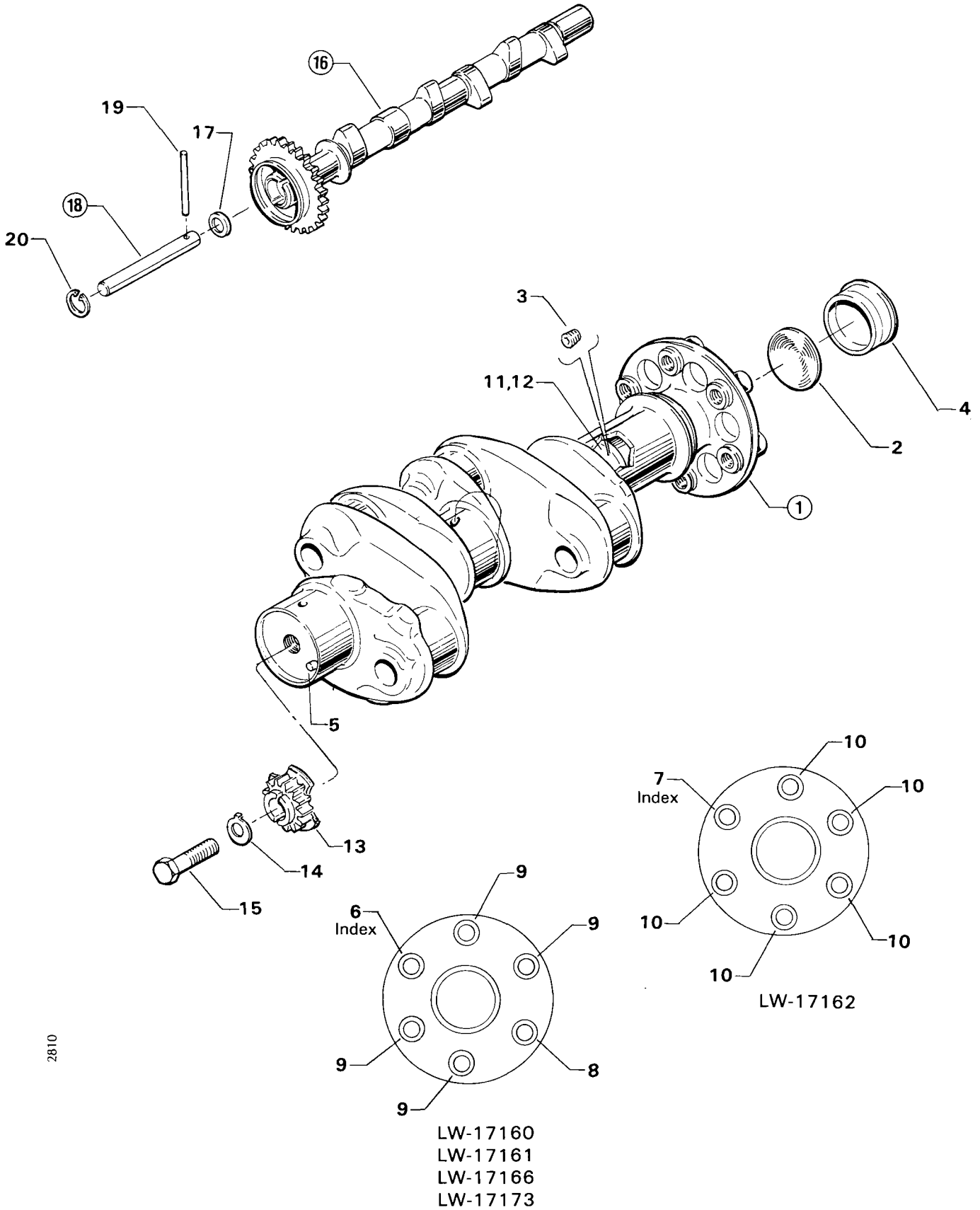


Figure 3. CRANKSHAFT, CAMSHAFT AND RELATED PARTS

**Intentionally
Left
Blank**

CRANKCASE, CRANKSHAFT AND CAMSHAFT GROUP
CRANKSHAFT IDLER GEARS

FIG. REF.	PART NUMBER	DESCRIPTION	O N A L L	QUANTITY PER ASSEMBLY																
				O-360								IO-360		HO-360		HIO-360				
				A1	A2	A3	A1	A1	A2	A2	A2	C	C	C	D	D	A	B	B	B
1	61544	PLUNGER, Fuel pump, long		1	1	1		1	1		1	1	1		1	1			1	1
2	74996	GEAR ASSY., Crankshaft idler, plain		2	2		2		2	2	2	2	2		2	2	2			
3	77309	BUSHING, Crankshaft idler gear		2	2		2		2	2	2	2	2		2	2	2			
4	75072	GEAR ASSY., Crankshaft idler		1	1	1		1	1		1	1	1		1	1			1	1
5	77309	BUSHING, Crankshaft idler		1	1	1		1	1		1	1	1		1	1			1	1
6	74996	GEAR ASSY., Crankshaft idler, plain		1	1	1		1	1		1	1	1		1	1			1	1
7	77309	BUSHING, Crankshaft idler		1	1	1		1	1		1	1	1		1	1			1	1
8	72231	GEAR ASSY., Fuel pump idler					1		1			1			1	1	1			
9	77309	BUSHING, Crankshaft idler gear					1		1			1			1	1	1			
10	68749	SHAFT, Crankshaft idler gear	2																	
11	73817	LOCKPLATE, 1/4 bolt x 1-3/4 spacing	2																	
12	STD-705	SCREW, 1/4-20 x 11/16 long, hex. hd.	4																	

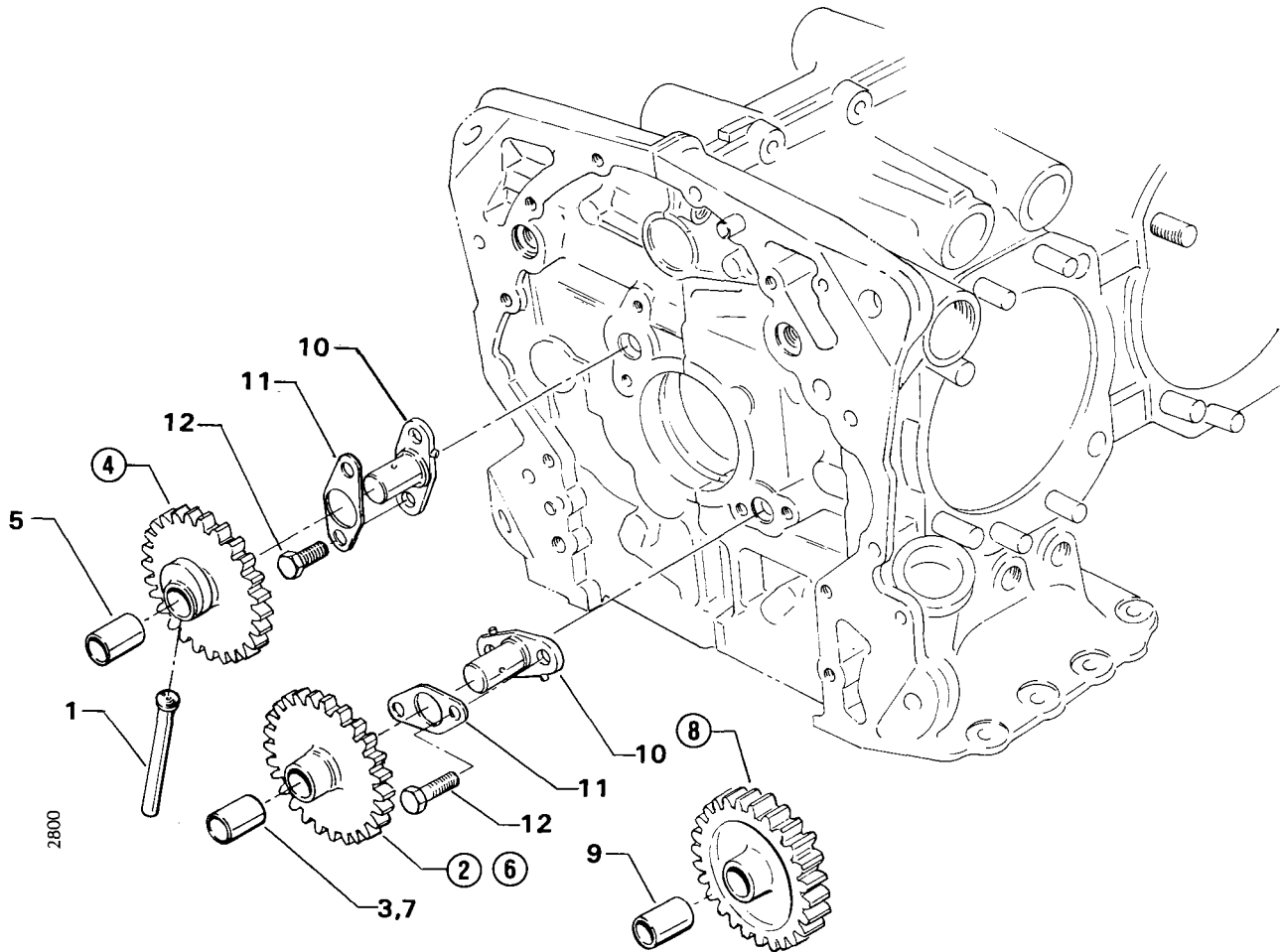
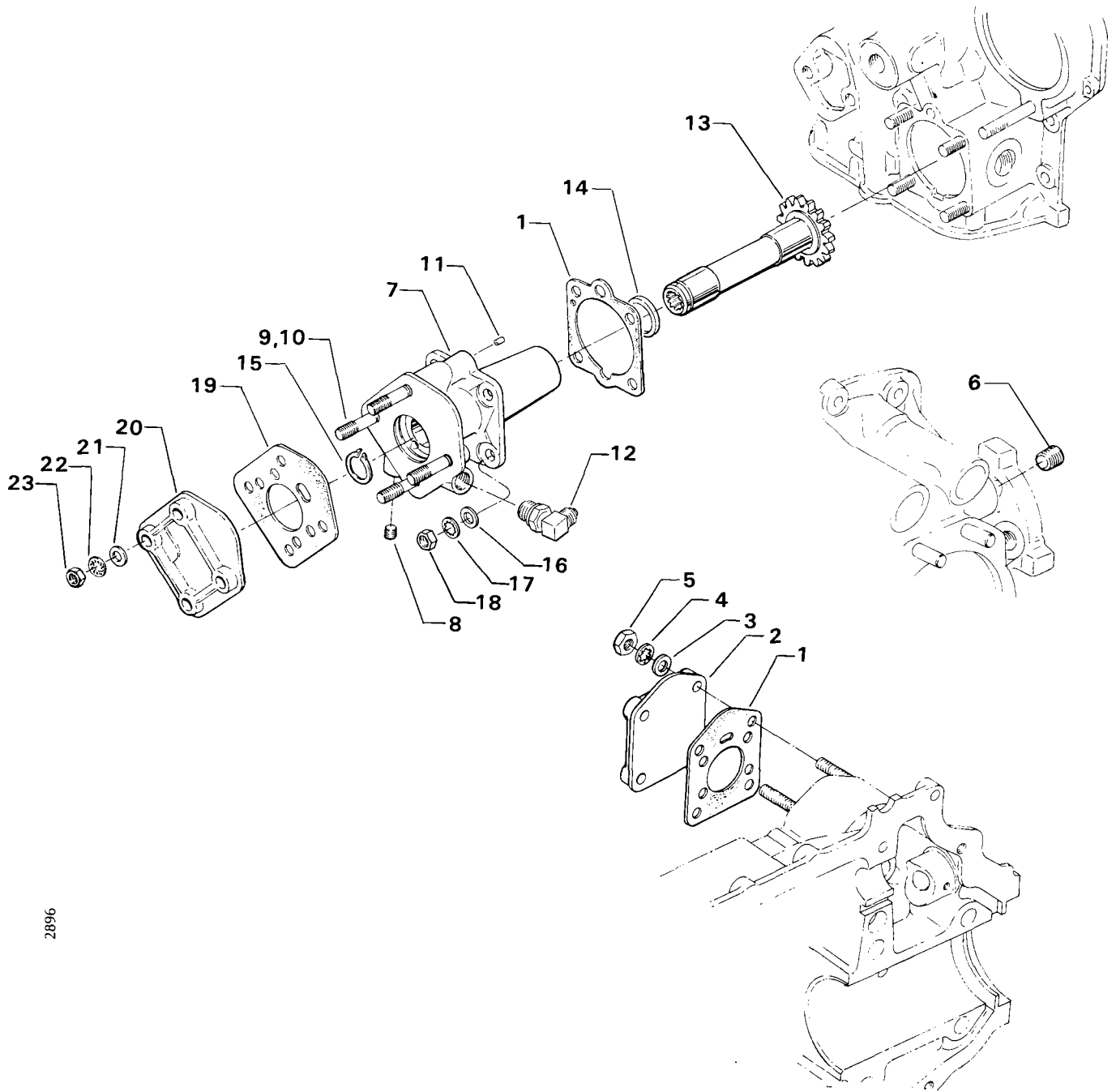


Figure 4. CRANKSHAFT IDLER GEARS

CRANKCASE, CRANKSHAFT AND CAMSHAFT GROUP
PROPELLER GOVERNOR DRIVE ASSEMBLY

FIG. REF.	PART NUMBER	DESCRIPTION	O N A L L	QUANTITY PER ASSEMBLY																		
				O-360												IO-360		HO-360		HIO-360		
				A1	A2	A3	A1	A1	A2	A2	B2	C2	C2	C2	D2	D2	A1	B1	B1	B1	B1	A1
1	68315	GASKET, Accessory drive adapter		1			1	1								1	1	1				
	69551	GASKET, Accessory drive adapter			1	1			1	1	1	1	1	1	1				1	1	1	1
2	69106	COVER, Governor drive adapter pad			1	1			1	1	1	1	1	1	1				1	1	1	1
3	STD-35	WASHER, 5/16 plain			4	4			4	4	4	4	4	4	4				4	4	4	4
4	STD-475	WASHER, 5/16 shakeproof lock			4	4			4	4	4	4	4	4	4				4	4	4	4
5	STD-1410	NUT, 5/16-18 plain			4	4			4	4	4	4	4	4	4				4	4	4	4
6	STD-783*	PLUG, 1/4-18 NPT, Allen			1	1			1	1	1	1	1		1	1						
7	75153**	ADAPTER ASSY., Prop. governor drive		1			1	1								1	1	1				
	75545★	ADAPTER ASSY., Prop. governor drive		1			1									1						
	75722●	ADAPTER ASSY., Prop. governor drive		1																		
8	1102	PLUG, 1/8-27 NPT, Allen		1			1	1								1	1	1				
9	31C-14★	STUD, 5/16-18 x 1-3/4 long		4			4									4						
10	31C-16**	STUD, 5/16-18 x 2.00 long		4			4	4								4	4	4				
11	STD-1774	PIN, 1/8 dia. x 1/4 long		1			1	1								1	1	1				
12	75686●	ELBOW, 5/16 flared tube, 9/16-18 str. thd., 90°		1																		
13	68317	SHAFTGEAR, Prop. governor drive		1			1	1								1	1	1				
14	71596	WASHER, Accessory driven gear		1			1	1								1	1	1				
15	STD-1221	RING, 13/16 dia. x 3/64 thick, external retaining		1			1	1								1	1	1				
16	STD-35	WASHER, 5/16 plain		4			4	4								4	4	4				
17	STD-475	WASHER, 5/16 lock, internal teeth		4			4	4								4	4	4				
18	STD-1410	NUT, 5/16-18 plain		4			4	4								4	4	4				
19	72053	GASKET, Governor		1			1	1								1	1	1				
20	72378	COVER, Governor drive		1			1	1								1	1	1				
21	STD-35	WASHER, 5/16 plain		32			32	32								32	32	32				
	STD-35	WASHER, 5/16 plain		4			4									4						
22	STD-475	WASHER, 5/16 lock, internal teeth		4			4	4								4	4	4				
23	STD-1410	NUT, 5/16-18 plain		4			4	4								4	4	4				

* Assemble in right crankcase - front.
 ** Woodward governor.
 ★ "AN" governor.
 ● Woodward governor, colonial installations.



2896

Figure 5. PROPELLER GOVERNOR DRIVE ASSEMBLY

CRANKCASE, CRANKSHAFT AND CAMSHAFT GROUP
CRANKCASE ATTACHING PARTS

FIG. REF.	PART NUMBER	DESCRIPTION	Q N A L	QUANTITY PER ASSEMBLY																	
				O-360												IO-360		HO-360		HIO-360	
				A1	A2	A3	A1	A1	A2	A2	A2	A2	A2	A2	A2	A2	A2	A	B	B	B
1	STD-1414**	BOLT, 1/4-20 x 1-1/2 long, hex. hd.	8																		
2	STD-1414*	BOLT, 1/4-20 x 1-1/2 long, hex. hd.																5			
3	STD-1414●	BOLT, 1/4-20 x 1-1/2 long, hex. hd.		1									1								
4	STD-1646*	BOLT, 1/4-20 x 2.00 long, hex. hd.																2			
5	STD-2084	BOLT, 1/4-20 x 1-3/4 long, hex. hd.	1																		
6	STD-2084*	BOLT, 1/4-20 x 1-3/4 long, hex. hd.																2			
7	STD-2084★	BOLT, 1/4-20 x 1-3/4 long, hex. hd.			1	1							1				1				
8	STD-1419●	BOLT, 1/4-20 x 1-1/8 long		2									2								
9	STD-1215★	BOLT, 1/4-20 x 1-1/4 long, hex. hd.			2	2								2			2				
10	STD-8	WASHER, 1/4 plain	16																		
11	STD-8●	WASHER, 1/4 plain		4									4								
12	STD-8*	WASHER, 1/4 plain																10			
13	STD-160	WASHER, 1/4 lock, internal teeth	9																		
14	STD-160●	WASHER, 1/4 lock, internal teeth		3									3								
15	STD-160★	WASHER, 1/4 lock, internal teeth			3	3								3			3				
16	STD-1411	NUT, 1/4-20 plain	9																		
17	STD-1411●	NUT, 1/4-20 plain		1									1								
18	STD-1411★	NUT, 1/4-20 plain			1	1								1			1				
19	STD-1416	BOLT, 1/4-20 x 1-1/2 long, hex. hd., dr. end	3																		
20	STD-8	WASHER, 1/4 plain	9																		
21	STD-1409	NUT, 1/4-20 slotted shear	3																		
22	AN6-21	BOLT, 3/8-24 x 2-13/64 long, hex. hd., drilled	1																		
23	STD-33	WASHER, 3/8 plain	2																		
24	STD-872	NUT, 3/8-24 slotted	1																		

- * Engines employing two lifting straps and top center mounted fuel flow divider bracket.
- ** Engines employing one lifting strap and top rear mounted fuel flow divider bracket.
- ★ Used with generator or alternator mounting brackets.
- Used to attach crankcase when generator or alternator mounting brackets are not installed.

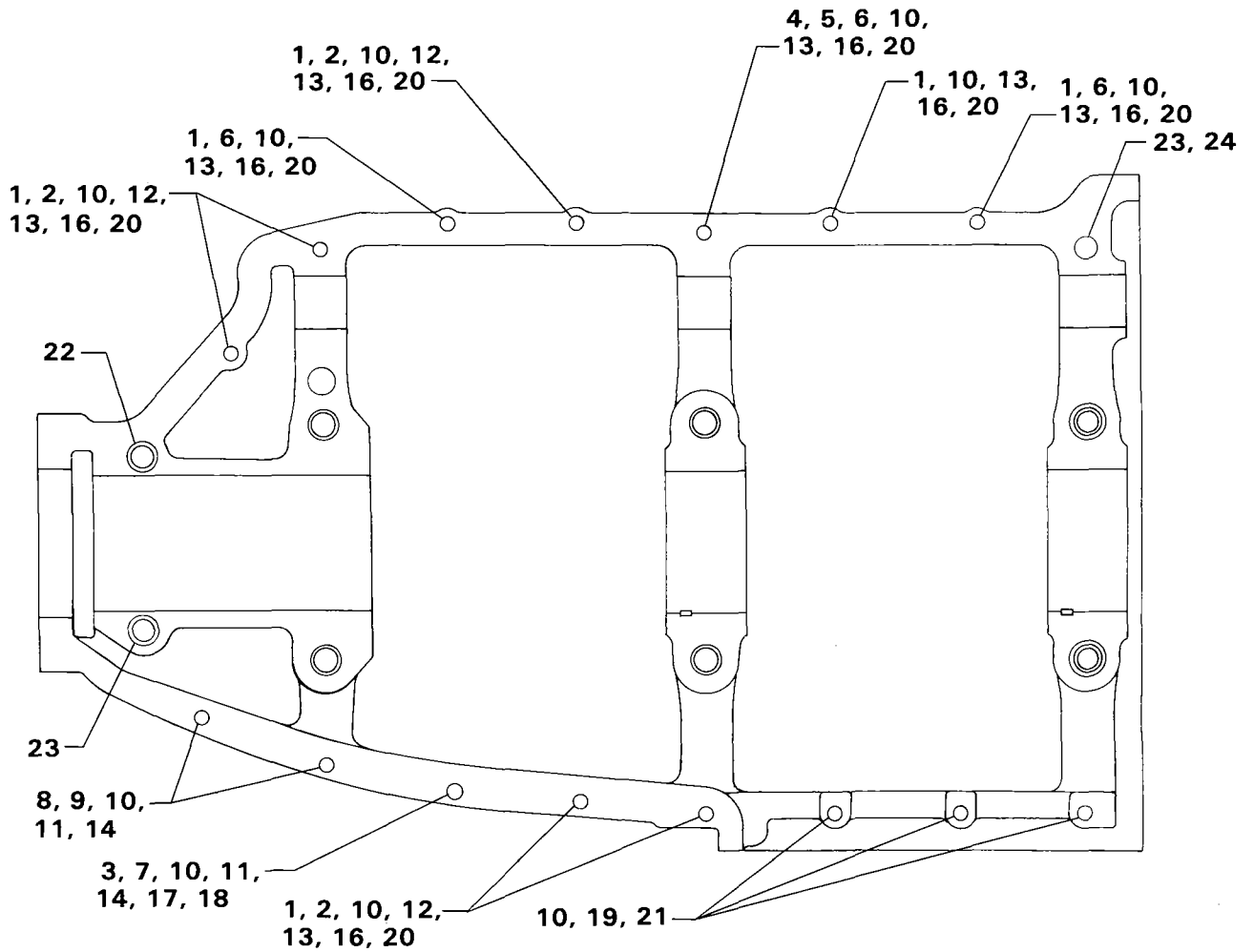


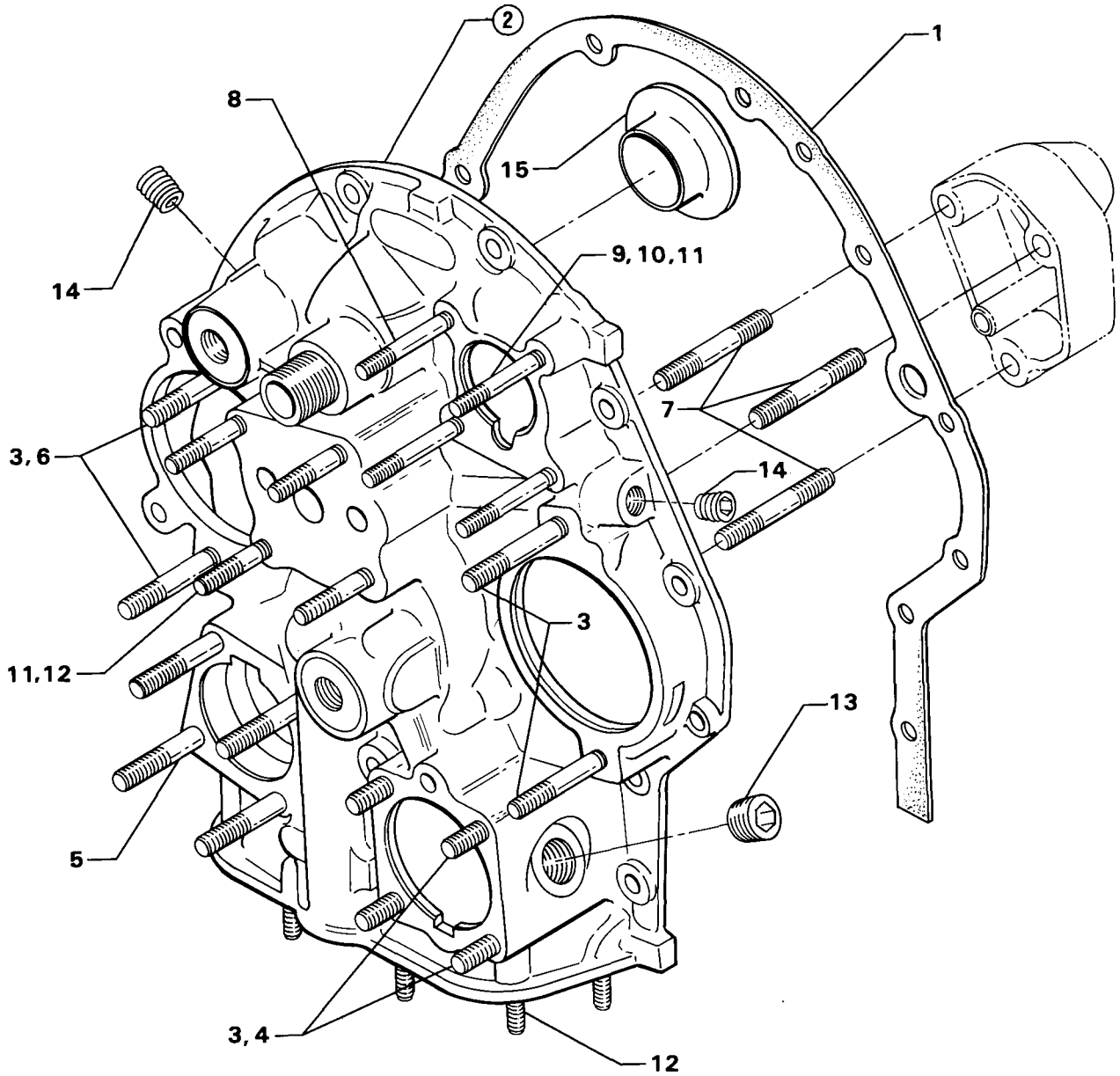
Figure 6. CRANKCASE ATTACHING PARTS

ACCESSORY HOUSING AND RELATED PARTS
ACCESSORY HOUSING ASSEMBLY

FIG. REF.	PART NUMBER	DESCRIPTION	O N A L L	QUANTITY PER ASSEMBLY																
				O-360										IO-360		HO-360		HIO-360		
				A1	A2	A3	A1	A1	A2	A2	B2	C2	C2	C2	D2	D2	A1	B1	B1	B1
1	73818	GASKET, Accessory housing	1																	
2	76110	HOUSING ASSY., Accessory (w/AC fuel pump)		1	1	1				1	1		1							
	76111	HOUSING ASSY., Accessory (w/AC fuel pump and Hamilton or Woodward governor)						1	1			1		1	1	1				
	76137	HOUSING ASSY., Accessory (w/AN fuel pump)					1													
	76138	HOUSING ASSY., Accessory (w/AN fuel pump)					1								1					
	76139	HOUSING ASSY., Accessory (w/AN fuel pump)										1					1	1		
	76140	HOUSING ASSY., Accessory (w/AC fuel pump and dual drive)					1													
	76141	HOUSING ASSY., Accessory (w/AN fuel pump)							1											
	76142	HOUSING ASSY., Accessory (w/AN fuel pump and dual drive)														1				
	76143	HOUSING ASSY., Accessory (w/AC fuel pump)																		1
	76144	HOUSING ASSY., Accessory (w/AC fuel pump)																		1
	77510	HOUSING ASSY., Accessory (w/AC fuel pump and dual drive)		1																
3	31C-12*	STUD, 5/16-18 x 1-1/2 long		6	6	6				6	6		6						4	4
	31C-12**	STUD, 5/16-18 x 1-1/2 long		6				8												
	31C-12★	STUD, 5/16-18 x 1-1/2 long					8	8	8			8		8		8	8			
	31C-12●	STUD, 5/16-18 x 1-1/2 long					6	6			6		6	6	6					
	31C-12‡	STUD, 5/16-18 x 1-1/2 long												8						
4	31C-13*	STUD, 5/16-18 x 2-5/8 long																	4	4
	31C-13●	STUD, 5/16-18 x 2-5/8 long					2	2			2		2	2	2					
5	31C-18★	STUD, 5/16-18 x 2-1/4 long					4		4			4				4	4			
6	31C-19*	STUD, 5/16-18 x 2-3/8 long		2	2	2				2	2		2							
	31C-19**	STUD, 5/16-18 x 2-3/8 long		2																
	31C-19★	STUD, 5/16-18 x 2-3/8 long					4								4					
	31C-19‡	STUD, 5/16-18 x 2-3/8 long													4					
7	31CD-17	STUD, 5/16-18 x 2-1/8 long, drilled	3																	
8	25C-22*	STUD, 1/4-20 x 2-3/4 long		4	4	4				4	4		4							
	25C-22★	STUD, 1/4-20 x 2-3/4 long					4	4	4			4		4	4	4				
	25C-22●	STUD, 1/4-20 x 2-3/4 long					4	4			4		4	4	4					
9	25C-11**	STUD, 1/4-20 x 1-3/8 long		1			1													
	25C-11‡	STUD, 1/4-20 x 1-3/8 long													1					
10	25C-31**	STUD, 1/4-20 x 3-7/8 long		3			3													
	25C-31‡	STUD, 1/4-20 x 3-7/8 long													3					
11	61400*	STUD, 1/4-20 x 1-3/16 long																	4	4
	61400★	STUD, 1/4-20 x 1-3/16 long										4					4	4		
12	75888*	STUD, 1/4-20 x 1-1/4 long, hex. hd.																	4	10
	75888★	STUD, 1/4-20 x 1-1/4 long, hex. hd.					6					6				6	6			
13	STD-784	PLUG, 3/8 pipe, Allen hd.	1																	
14	1102	PLUG, 1/8 pipe x 3/8 long, socket	2																	
15	76119	SHIELD, Accessory breather oil	1																	

* Used on Accessory Housings P/N 76110, 76143 & 76144.
● Used on Accessory Housing P/N 76111.
★ Used on Accessory Housings P/N 76137, 76138, 76139 & 76141.

** Used on Accessory Housings P/N 76140 & 77510.
‡ Used on Accessory Housing P/N 76142.



2807

Figure 7. ACCESSORY HOUSING ASSEMBLY

ACCESSORY HOUSING AND RELATED PARTS
PROPELLER GOVERNOR OIL LINES

FIG. REF.	PART NUMBER	DESCRIPTION	O N A L L	QUANTITY PER ASSEMBLY																
				O-360										IO-360		HO-360		HIO-360		
				A1	A2	A3	A1	A1	A2	A2	B2	C2	C2	C2	D2	D2	A1	B1	B1	B1
1	68532	TUBE ASSY., Propeller governor oil line		1			1	1								1	1			
	71622	TUBE ASSY., Propeller governor oil line		1			1									1	1			
	71612	TUBE ASSY., Propeller governor oil line		1			1													
	74807	TUBE ASSY., Propeller governor oil line													1	1				
	75758	TUBE ASSY., Propeller governor oil line					1													
2	STD-8	WASHER, 1/4 plain	1																	
3	LW-16266-25-31	CLAMP	2																	
4	MS20822-5-4*	ELBOW, 5/16 flared tube x 1/4 NPT, 90°		1			1	1							1	1				
5	MS20822-6*	ELBOW, 3/8 flared tube x 1/4 NPT, 90°		1			1								1	1				
6	74070**	ELBOW, 3/8 flared tube x 9/16-18 str. thd., adj. 45°		1			1								1	1				
7	75686**	ELBOW, 5/16 flared tube x 9/16-18 str. thd., 90°						1												
8	75738**	NIPPLE, 5/16 flared tube x 9/16-18 str. thd.		1			1	1							1	1				

* Assemble in right crankcase - front.
 ** Assemble in propeller governor adapter.

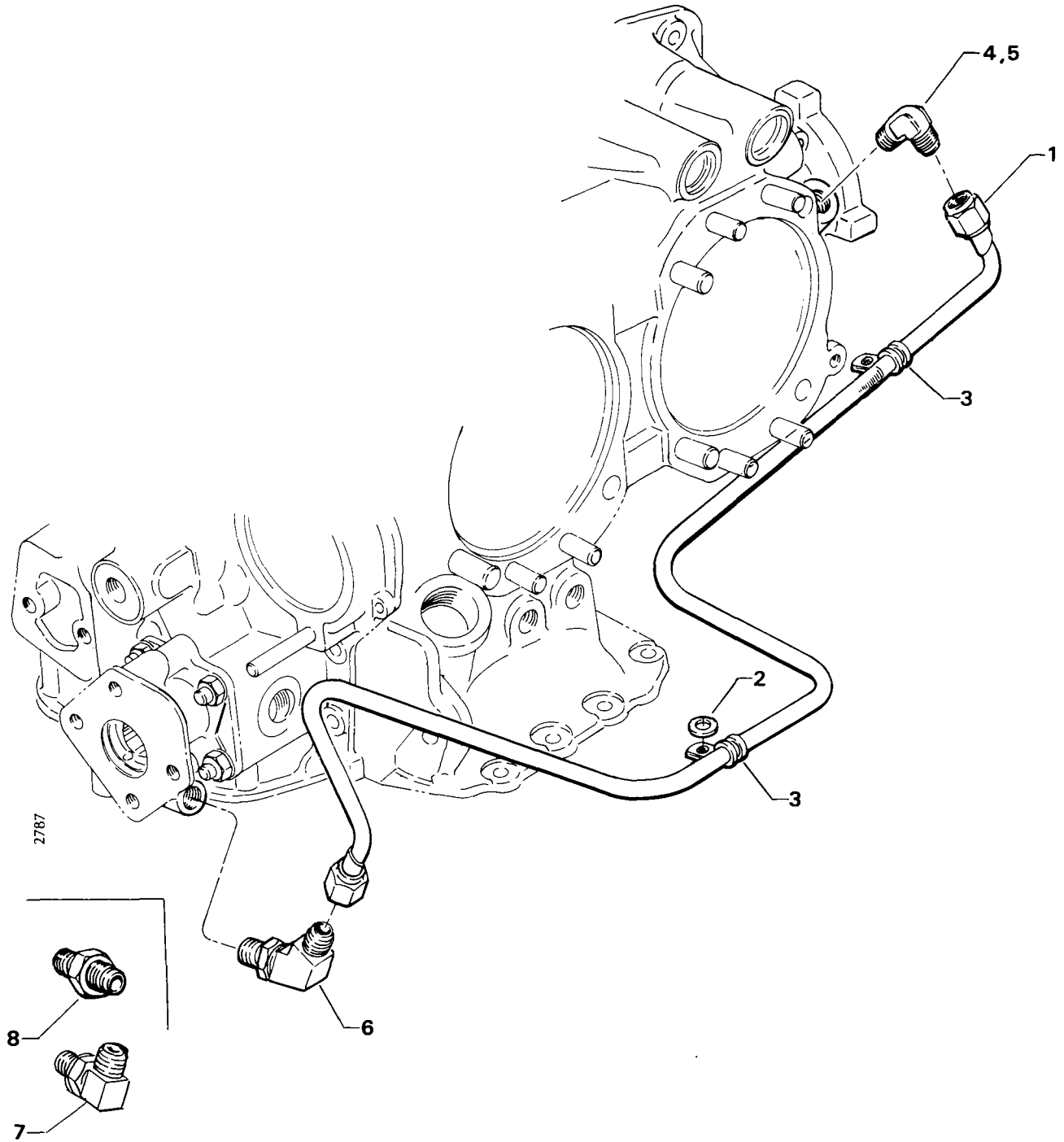
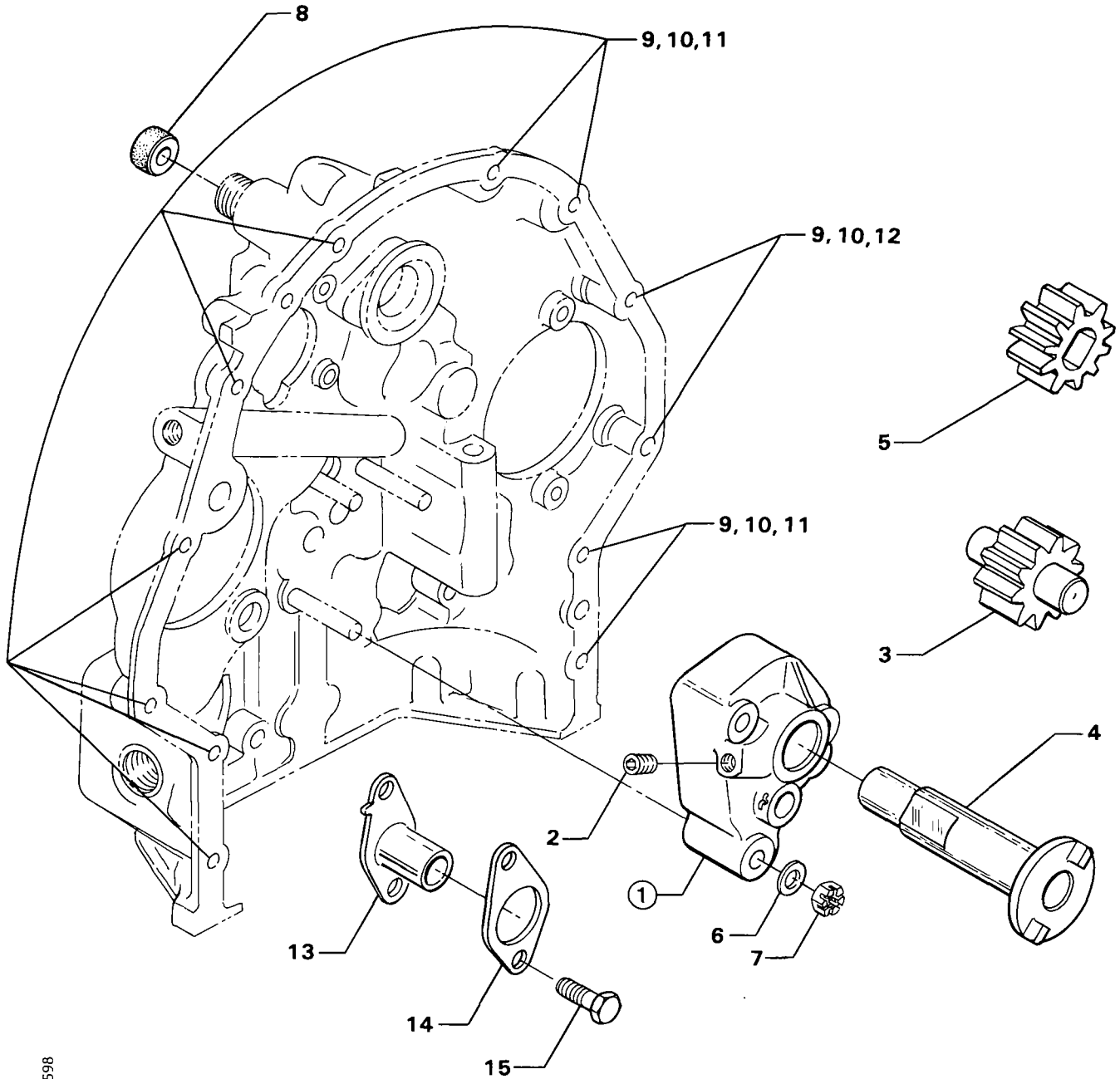


Figure 8. PROPELLER GOVERNOR OIL LINES

ACCESSORY HOUSING AND RELATED PARTS
OIL PUMP ASSEMBLY AND ACCESSORY HOUSING ATTACHING PARTS

FIG. REF.	PART NUMBER	DESCRIPTION	O N	QUANTITY PER ASSEMBLY																			
				O-360												IO-360		HO-360		HIO-360			
				A1	A2	A3	A1	A1	A2	A2	B2	C2	C2	C2	D2	D2	A1	B1	B1	B1	B1	A1	B1
9				A	A	A	A	A	A	A	B	C	C	C	D	D	A	B	B	B	B	A	B
1	78528	BODY ASSY., Oil pump	1																				
2	STD-1339	PLUG, 1/16-27 NPT, Allen hd.	1																				
3	LW-18110	IMPELLER ASSY., Oil pump driven	1																				
4	61174	SHAFT, Oil pump drive	1																				
5	LW-18109	IMPELLER, Oil pump driving	1																				
6	STD-35	WASHER, 5/16 plain	3																				
7	STD-1420	NUT, 5/16-18 slotted	3																				
8	LW-14260	SEAL, Tachometer drive, oil	1																				
9	STD-8	WASHER, 1/4 plain	12																				
10	STD-160	WASHER, 1/4 lock, internal teeth	12																				
11	LW-25-0.94	BOLT, 1/4-20 x 15/16 long, hex. hd.	10																				
12	LW-25-1.50	BOLT, 1/4-20 x 1-1/2 long, hex. hd.	2																				
13	72230	SHAFT, Crankshaft idler gear					1			1				1				1		1	1		
14	72829	LOCKPLATE, 1/4 bolt x 1-3/4 spacing					1			1				1				1		1	1		
15	STD-705	SCREW, 1/4-20 x 11/16 long, hex. hd.					2			2				2				2		2	2		



2598

Figure 9. OIL PUMP ASSEMBLY AND ACCESSORY HOUSING ATTACHING PARTS

**Intentionally
Left
Blank**

ACCESSORY HOUSING AND RELATED PARTS
OIL FILTER ASSEMBLY

FIG. REF.	PART NUMBER	DESCRIPTION	O N A L L	QUANTITY PER ASSEMBLY																		
				O-360								10-360		HO-360		H10-360						
				A1	A2	A3	A1	A1	A2	A2	A2	B2	C2	C2	D2	D2	A1	B1	B1	B1	B1	A1
1	62817	SCREEN ASSY., Oil pressure	1																			
2	61173	GASKET, Oil pressure screen housing	1																			
3	69510	HOUSING, Thermostatic valve & oil pressure screen	1																			
4	STD-294	GASKET, 7/8 O.D. x 5/8 I.D. x 3/32 annular	1																			
5	STD-8	WASHER, 1/4 plain	4																			
6	STD-160	WASHER, 1/4 internal lock									4						4	4	4	4		
7	STD-1411	NUT, 1/4-20 plain									4						4	4	4	4		
8	STD-1856	SCREW, 1/4-20 x 31/32 - 1.00 long, hex. hd., slotted		4	4	4	4	4	4	4	4	4	4	4	4	4						
9	75944	VALVE ASSY., Temp. control oil cooler bypass	1																			
10	76510	GASKET, Valve assembly	1																			

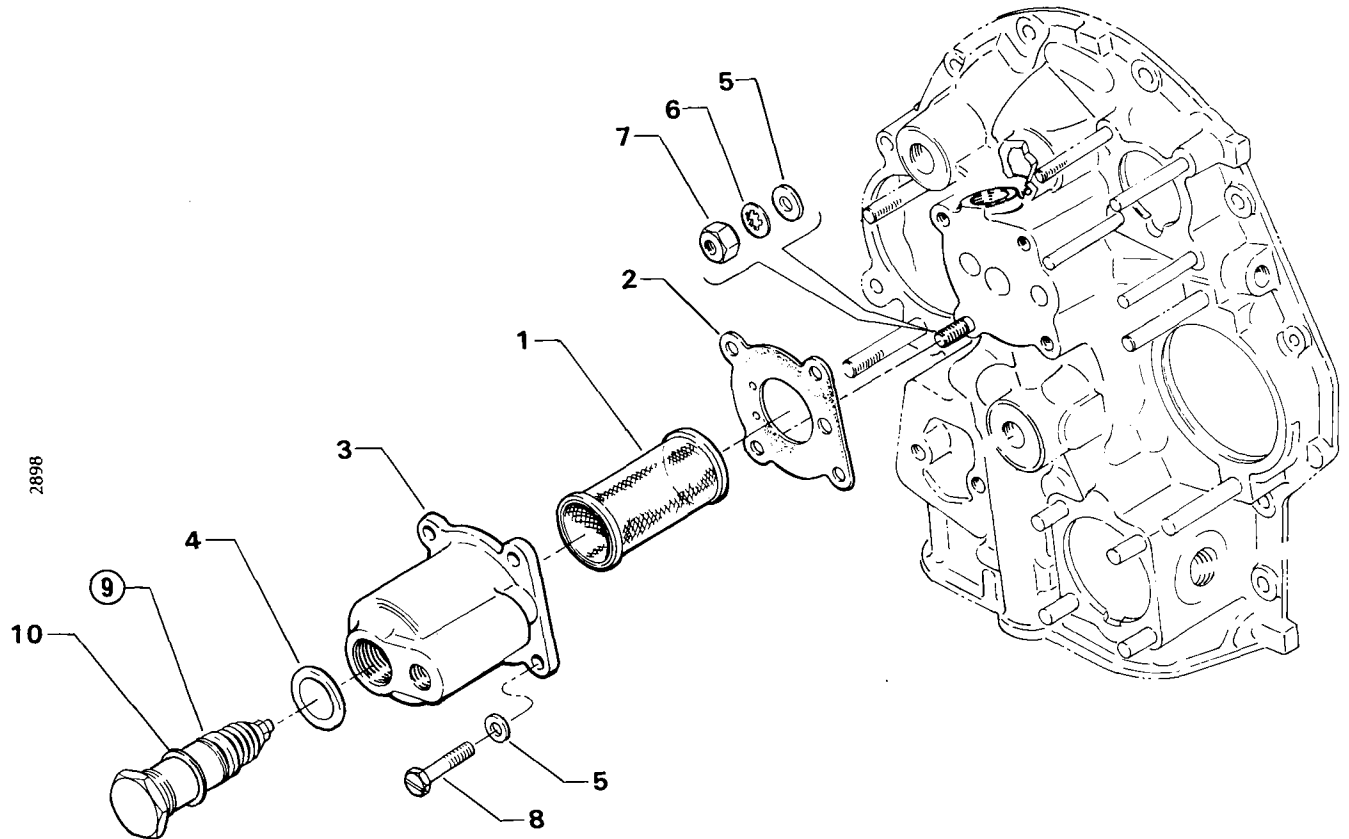


Figure 10. OIL FILTER ASSEMBLY

ACCESSORY HOUSING AND RELATED PARTS
OIL COOLER AND BREATHER FITTINGS

FIG. REF.	PART NUMBER	DESCRIPTION	O N A L L	QUANTITY PER ASSEMBLY																
				O-360								IO-360		HO-360		HIO-360				
				A	A	A	A	A	A	A	B	C	C	C	D	D	A	B	B	B
1	69436*	SPRING, Oil cooler bypass		1	1	1		1												
2	62415*	PLUNGER, Oil cooler bypass		1	1	1		1												
3	STD-294	GASKET, 7/8 O.D. x 5/8 I.D. x 3/32 annular	1																	
4	69675	CONNECTOR, Acc. hsg. oil cooler inlet hose		1	1	1	1	1		1	1	1	1	1	1	1		1	1	1
5	71600	ADAPTER, Oil cooler connection		1		1		1										1		
6	71623	WASHER, Oil cooler fitting		1				1	1									1		
7	AN777-8D	ELBOW, Universal, 75°		1				1	1									1		
8	AN901-8A	GASKET, Metal tube connection seal		1				1	1									1		
9	71620	BOLT, Oil cooler fitting		1				1	1									1		
10	62417	PLUG, Oil cooler bypass		1	1	1		1	1									1	1	
11	STD-784**	PLUG, 3/8-18 NPT, Allen	2																	
12	71140	FITTING, Breather	1																	
	72413	FITTING, Breather, 120° elbow		1				1	1									1	1	

* Not required with thermostatic oil cooler bypass valve.
** Assemble in bosses provided for oil cooler oil line.

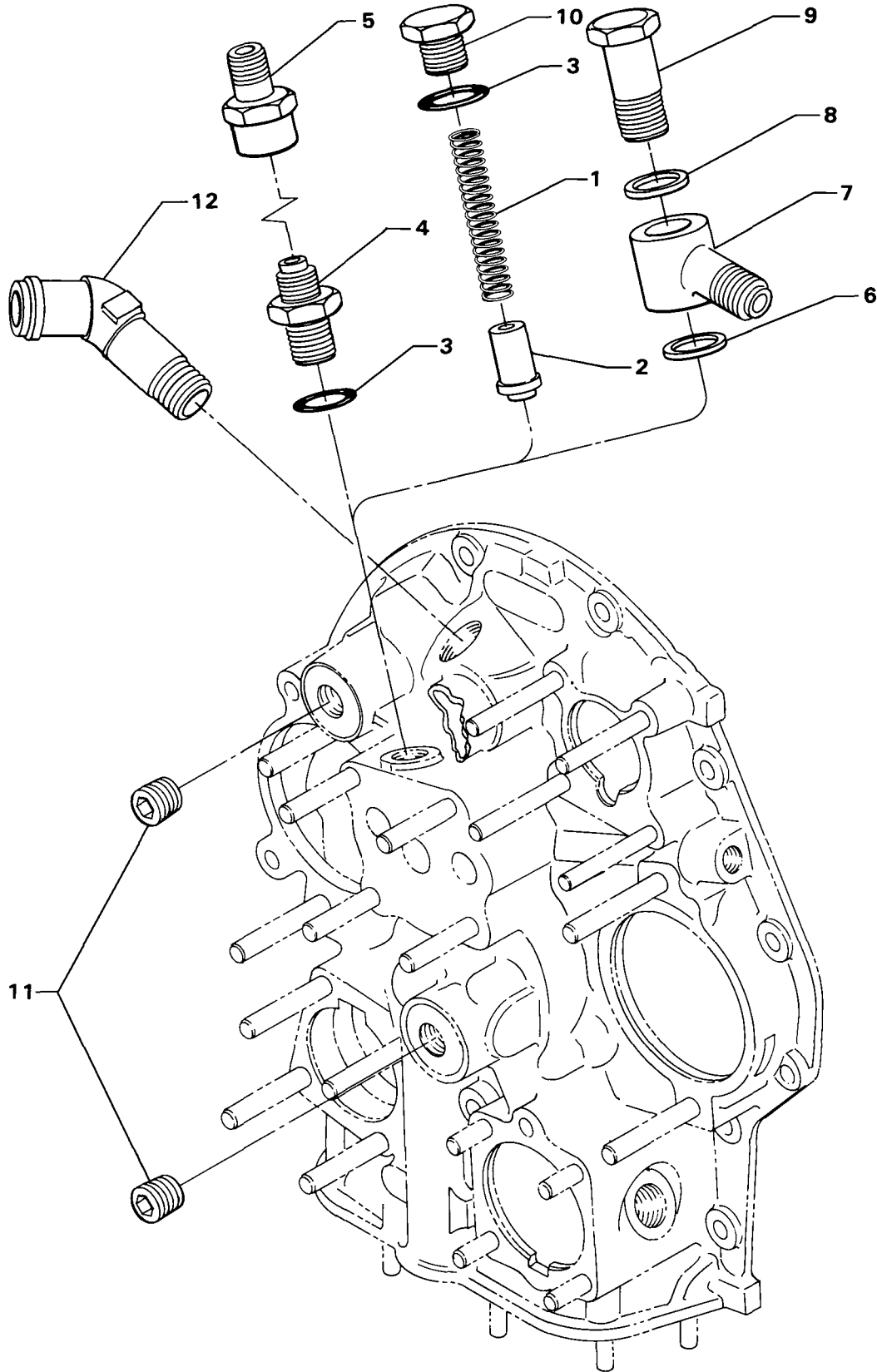


Figure 11. OIL COOLER AND BREATHER FITTINGS

**Intentionally
Left
Blank**

ACCESSORY HOUSING AND RELATED PARTS

VACUUM PUMP DRIVES AND COVERS

FIG. REF.	PART NUMBER	DESCRIPTION	O N A L L	QUANTITY PER ASSEMBLY																		
				O-360								IO-360		HO-360		HIO-360						
				A 1 A	A 2 A	A 3 A	A 1 C	A 1 D	A 2 D	A 2 E	B 2 A	C 2 A	C 2 C	C 2 D	D 2 A	D 2 B	A 1 A	B 1 A	B 1 B	B 1 A	B 1 B	A 1 A
1	61183	GASKET, Accessory adapter	1																			
2	61098	ADAPTER ASSY., Vacuum pump		1	1	1	1	1	1	1	1	1	1	1	1	1	1	1				
3	STD-1774	PIN, 1/8 dia. x 1/4 long		1	1	1	1	1	1	1	1	1	1	1	1	1	1	1				
4	STD-2217	OIL SEAL, 7/8 I.D. x 1-1/2 O.D. x 5/16 wide		1	1	1	1	1	1	1	1	1	1	1	1	1	1	1				
5	72970	GEAR ASSY., Vacuum pump driven		1	1	1	1	1	1	1	1	1	1	1	1	1	1	1				
6	71596	WASHER, Accessory driven gear		1	1	1	1	1	1	1	1	1	1	1	1	1	1	1				
7	8313	GASKET, Vacuum pump		1	1	1	1	1	1	1	1	1	1	1	1	1	1	1				
8	60430	COVER, Vacuum pump	1																			
9	68593	SPACER, Vacuum pump stud		4	4			4	4			4	4	4	4			4	4			
10	STD-8	WASHER, 1/4 plain	4																			
11	STD-160	WASHER, 1/4 lock, internal teeth	4																			
12	STD-1411	NUT, 1/4-20 plain	4																			

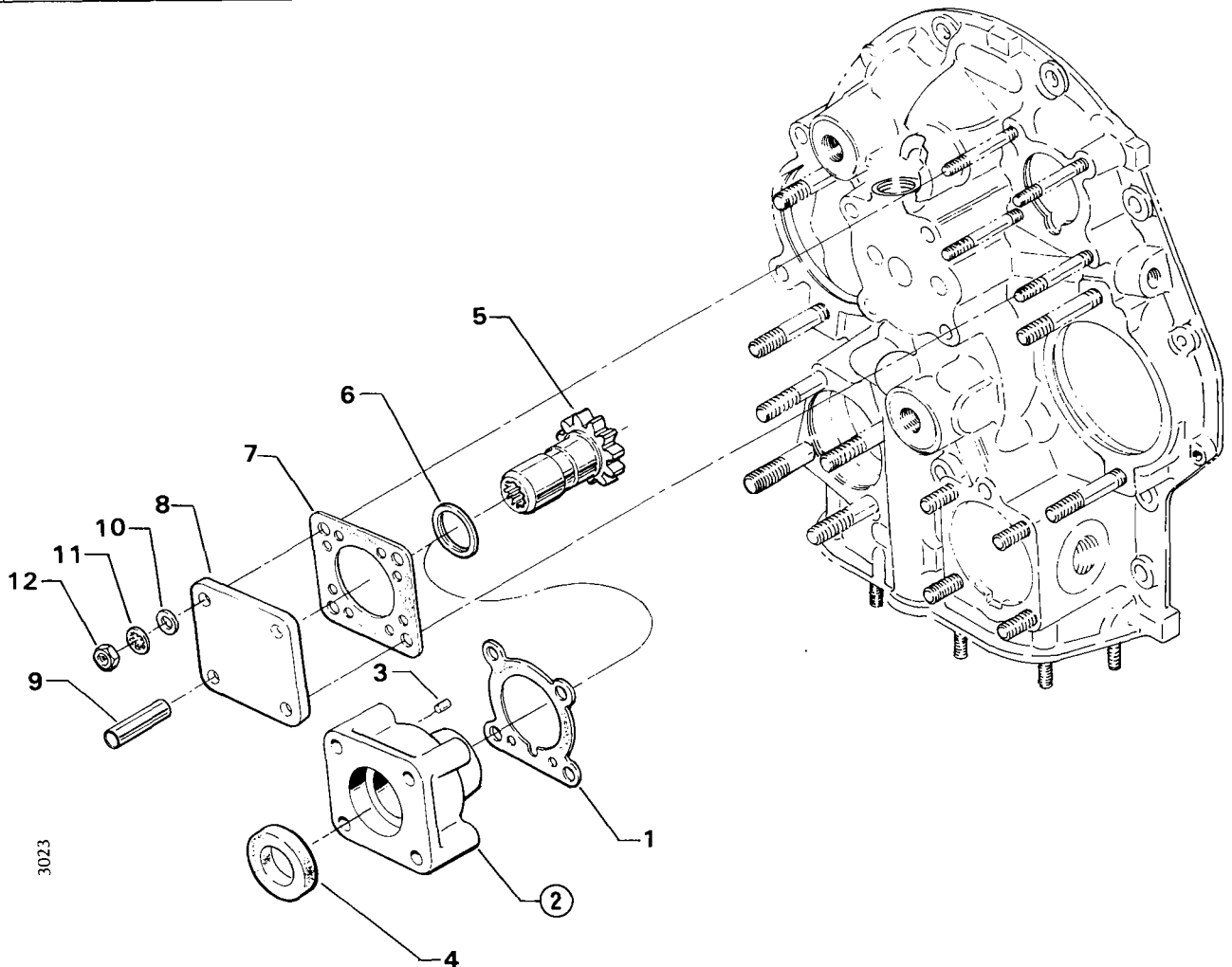


Figure 12. VACUUM PUMP DRIVES AND COVERS

ACCESSORY HOUSING AND RELATED PARTS
VACUUM AND HYDRAULIC PUMP DRIVES AND COVERS (DUAL DRIVES)

FIG. REF. 13	PART NUMBER	DESCRIPTION	O N A L L	QUANTITY PER ASSEMBLY																
				O-360								IO-360		HO-360		HIO-360				
				A1	A2	A3	A1	A1	A2	A2	A2	C2	C2	C2	D2	D2	A1	B1	B1	B1
1	61183	GASKET, Accessory adapter	1																	
2	70347	DUAL DRIVE ASSY., Vacuum and hydraulic pump	1																	
3	69725	ADAPTER ASSY., Dual accessory drive	1																	
4	25C-29	STUD, 1/4-20 Nat'l. form x 3-5/8 long	3																	
5	25C-12	STUD, 1/4-20 Nat'l. form x 1-17/32 long	1																	
6	66145	DOWEL, 1/4 dia. x 1/2 long	2																	
7	69319	GEAR ASSY., Accessory drive	1																	
8	61166	THRUST BUTTON, Vacuum pump gear	1																	
9	71596	WASHER, Accessory driven gear	1																	
10	STD-2072	O-RING, Static seal	1																	
11	69316	GEAR, Dual accessory drive	1																	
12	69730	GEAR ASSY., Accessory idler	1																	
13	69731	BUSHING, Accessory idler gear	1																	
14	71596	WASHER, Accessory driven gear	2																	
15	73231	GEAR ASSY., Vacuum pump driven	1																	
16	69720	GASKET, Dual accessory drive adapter cover	1																	
17	69742	COVER ASSY., Vacuum & hydraulic pump drive	1																	
18	STD-2217	SEAL, 7/8 I.D. x 1-1/2 O.D. x 5/16 wide	1																	
19	STD-548	SEAL, Oil, 7/8 I.D. x 1-3/8 O.D. x 5/16 wide	1																	
20	25C-12	STUD, 1/4-20 Nat'l. form x 1-1/2 long	2																	
21	25C-16	STUD, 1/4-20 Nat'l. form x 2.00 long	1																	
22	69318	SHAFT, Accessory idler gear	1																	
23	STD-938	DOWEL, 3/32 dia. x 11/32 long	1																	
24	STD-1339	PLUG, 1/16-27 NPT, Allen head, long	2																	
25	STD-8	WASHER, 1/4 plain	2																	
26	STD-160	WASHER, 1/4 lock, internal-teeth	2																	
27	STD-1411	NUT, 1/4-20 plain	2																	
28	8313	GASKET, Vacuum pump	2																	
29	60430	COVER, Vacuum pump pad	2																	
30	STD-8	WASHER, 1/4 plain	9																	
31	STD-160	WASHER, 1/4 lock, internal teeth	9																	
32	STD-1411	NUT, 1/4-20 plain	9																	
33	STD-696	WASHER, 17/64 I.D. x 1/2 O.D. x 1/32 thick	AR																	
34	71023	BRACE, Dual drive, vacuum pump & prop. gov. support	1																	
35	STD-160	WASHER, 1/4 lock, internal teeth	1																	
36	STD-1215	BOLT, 1/4-20 x 1-1/4 long, hex. hd.	1																	

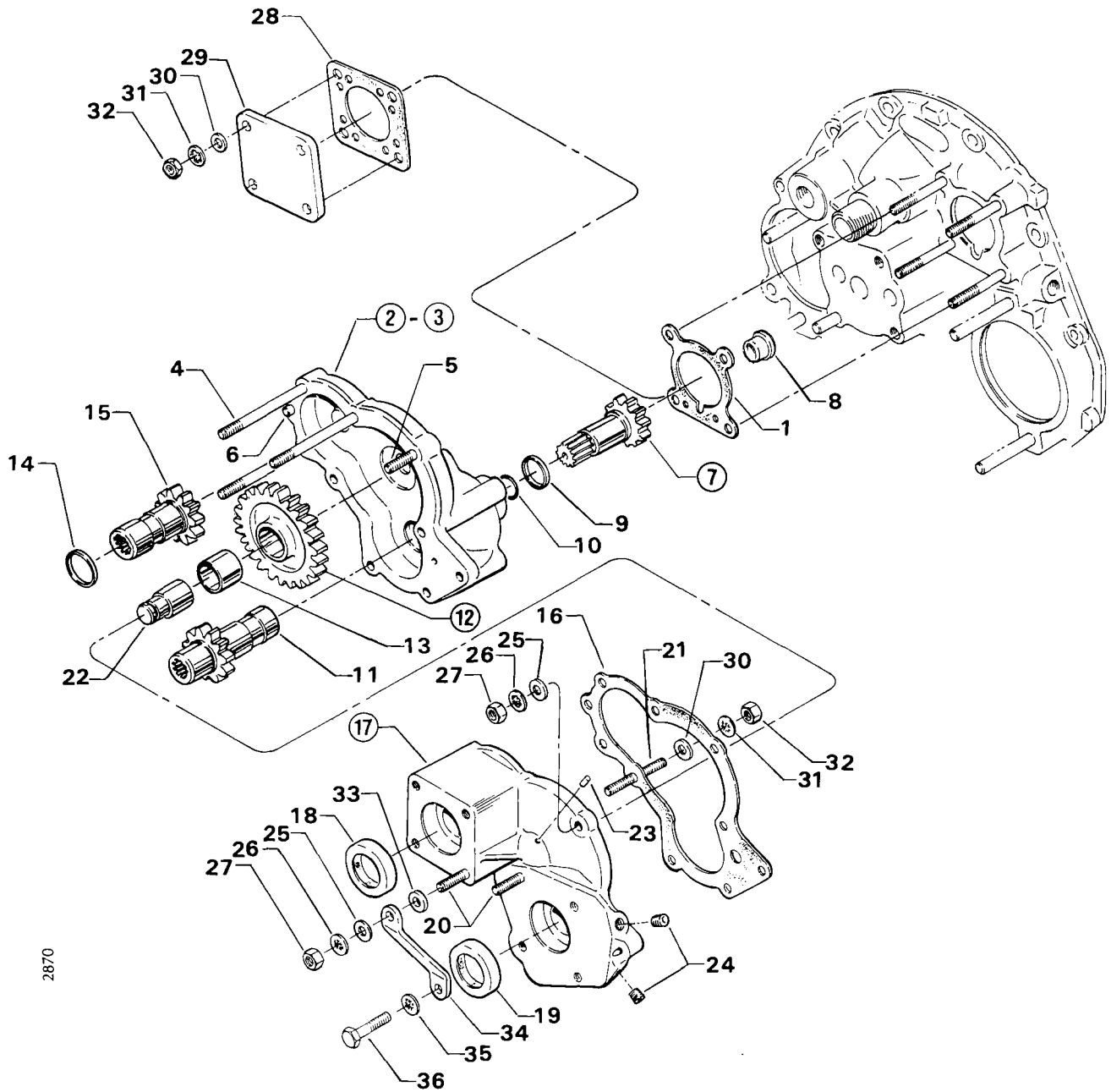


Figure 13. VACUUM AND HYDRAULIC PUMP DRIVES AND COVERS (DUAL DRIVES)

ACCESSORY HOUSING AND RELATED PARTS
FUEL PUMPS AND FUEL PUMP COVERS

FIG. REF.	PART NUMBER	DESCRIPTION	O N A L L	QUANTITY PER ASSEMBLY																			
				O-360								IO-360				HO-360		HIO-360					
				A 1 A	A 2 A	A 3 A	A 1 C	A 1 D	A 2 D	A 2 E	B 2 A	C 2 A	C 2 C	C 2 D	D 2 A	D 2 B	A 1 A	B 1 A	B 1 B	B 1 A	B 1 B	A 1 A	B 1 A
1	60096	GASKET, Fuel pump		1	1	1		1	1		1	1	1		1	1		1	1		1	1	
2	65098	COVER, Fuel pump		1	1			1	1			1	1										
3	LW-15472	FUEL PUMP (6441271)		1	1	1		1	1			1	1										
	LW-15473	FUEL PUMP (6441234)													1	1					1	1	
4	STD-33	WASHER, 3/8 plain		2	2	2		2	2		2	2	2		2	2		2	2			2	2
5	LW-38-.75	BOLT, 3/8-16 x 3/4 long, hex. hd.		2	2			2	2			2	2										
6	STD-1882	SCREW, 3/8-16 x 1-9/32 long, socket hd., drilled head		2	2	2		2	2			2	2		2	2					2	2	
7	STD-678	WASHER, 3/8 lock, internal teeth		2	2						2	2											
8	75924	SHAFTGEAR ASSY., Fuel pump drive						1				1									1	1	
9	61166	THRUST BUTTON, Vacuum pump gear						1				1									1	1	
10	73158	SHAFTGEAR ASSY., Injector pump drive						1				1									1	1	
11	61166	THRUST BUTTON, Vacuum pump gear													1								
12	69164	GASKET, Fuel pump adapter						1				1			1						1	1	
13	69159	ADAPTER ASSY., Fuel pump drive						1				1			1						1	1	
14	STD-1774	PIN, 1/8 dia. x 1/4 long						1				1			1						1	1	
15	STD-213	SEAL, Oil, 3/4 dia. x 1-3/8 O.D. x 5/16 wide						1				1			1						1	1	
16	1691-C	GASKET, Fuel pump						1				1									1	1	
17	60431	COVER, Fuel pump						1				1									1	1	
18	STD-35	WASHER, 5/16 plain						4				4									4	4	
19	STD-475	WASHER, 5/16 lock, internal teeth						4				4									4	4	
20	STD-1410	NUT, 5/16-18 plain						4				4									4	4	

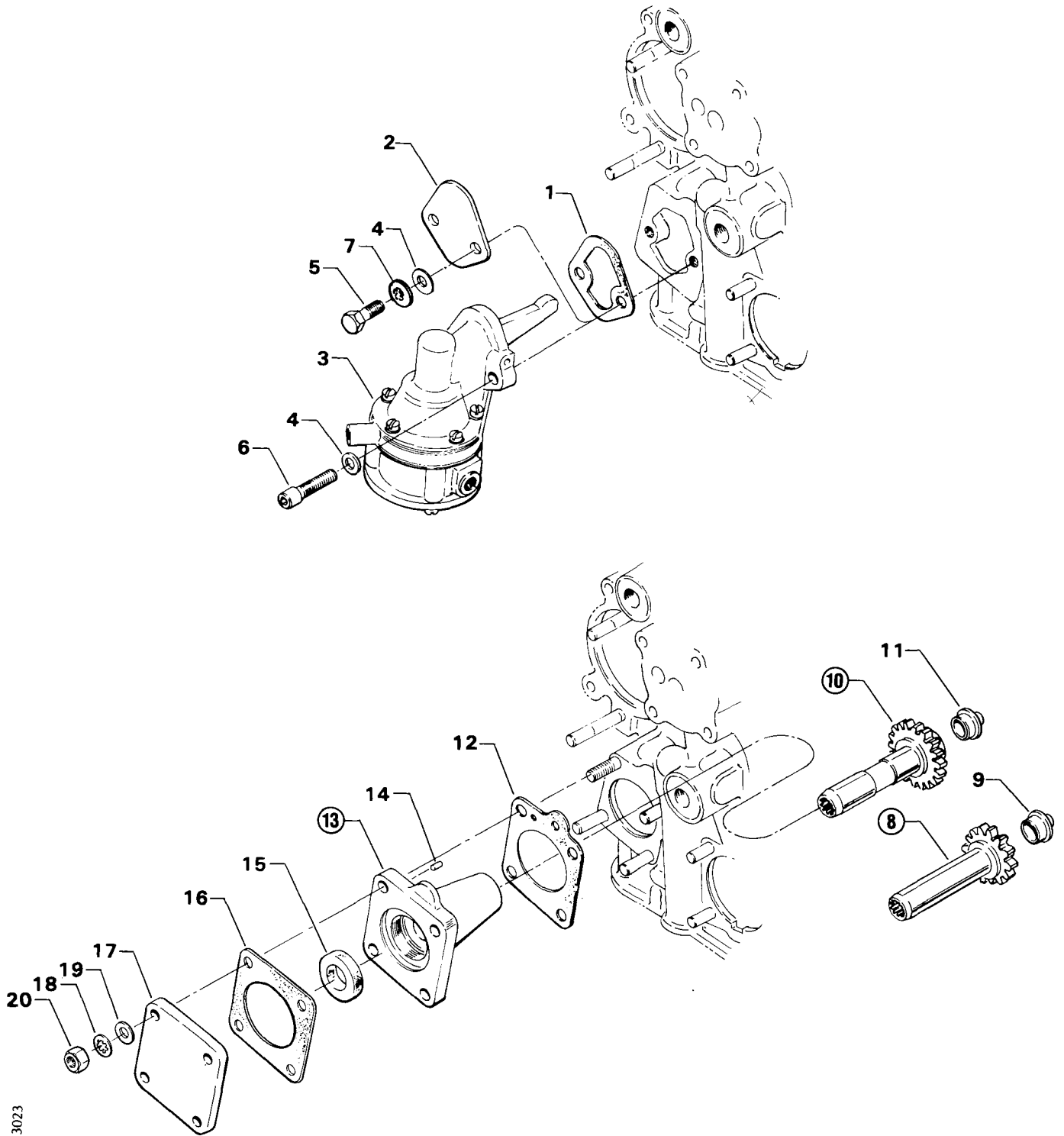


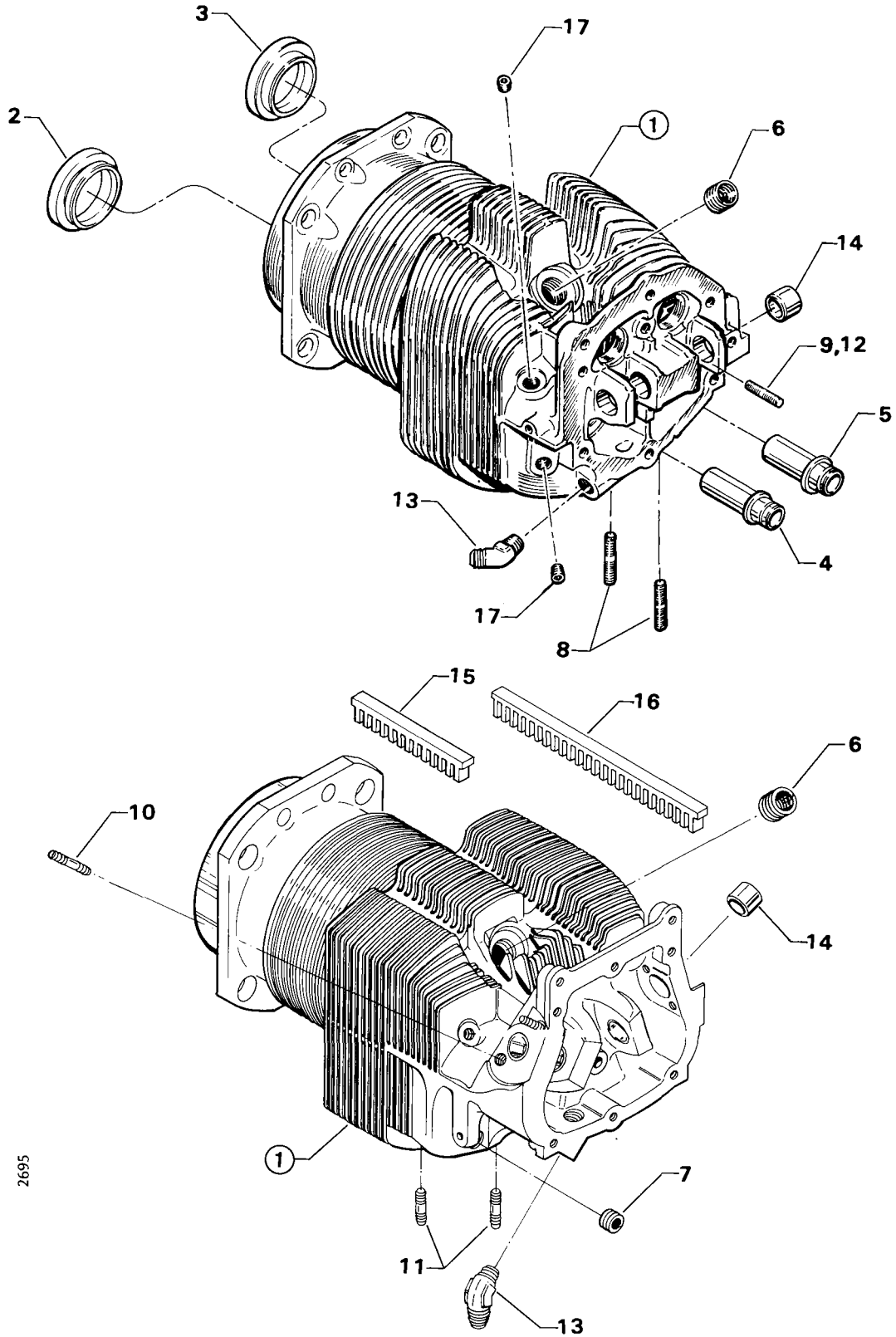
Figure 14. FUEL PUMPS AND FUEL PUMP COVERS

LYCOMING

O, IO, HO, HIO-360 PARTS CATALOG STANDARD CYLINDER FLANGE CRANKCASE MODEL ENGINES

CYLINDER, PISTON AND VALVE TRAIN CYLINDER ASSEMBLY

FIG. REF.	PART NUMBER	DESCRIPTION	O N A L L	QUANTITY PER ASSEMBLY																		
				O-360												IO-360		HO-360		HIO-360		
				A1	A2	A3	A1	A1	A2	A2	A2	A2	A2	A2	A2	A2	A2	A2	A1	B1	B1	B1
1	LW-12422	CYLINDER AND HEAD ASSEMBLY		4	4	4	4	4	4	4	4	4	4	4	4				4	4		
	LW-12424	CYLINDER AND HEAD ASSEMBLY, Plain												4			4	4				
	LW-12425	CYLINDER AND HEAD ASSEMBLY, Nitrided																4	4			4
	LW-19046	CYLINDER AND HEAD ASSEMBLY, Nitrided																				4
	LW-13530	CYLINDER AND HEAD ASSEMBLY, Nitrided														4						
2	72057	SEAT, Intake valve		4	4	4	4	4	4	4	4	4	4	4	4	4	4	4	4	4	4	4
	72212	SEAT, Intake valve																				4
	LW-12688	SEAT, Intake valve															4					
3	72058	SEAT, Exhaust valve		4	4	4	4	4	4	4	4	4	4	4	4	4	4	4	4	4	4	4
	71894	SEAT, Exhaust valve															4					4
4	61681	GUIDE, Valve, intake		4	4	4	4	4	4	4	4	4	4	4	4	4	4	4	4	4	4	4
	66713	GUIDE, Valve, intake															4					4
5	74230	GUIDE, Valve, exhaust		4	4	4	4	4	4	4	4	4	4	4	4	4	4	4	4	4	4	4
	75838	GUIDE, Valve, exhaust															4					4
6	66796	INSERT, Spark plug, 18-1.5 MM	8																			
7	STD-1872	INSERT, 1/8-27 Helicoil taper pipe thread															8	8	8			8 8
8	31C-12	STUD, 5/16-18 x 1-1/2 long	8																			
9	25C-9	STUD, 1/4-20 x 1-1/8 long		4	4	4	4	4	4	4	4	4	4	4	4	4	4	4	4	4	4	4
10	25C-8	STUD, 1/4-20 x 1.00 long															16					16
11	31C-12	STUD, 5/16-18 x 1-1/2 long		8	8								8				8					
12	68510	STUD, 1/4-20 x 1-1/16 long		4	4								4				4					
13	MS20823-6D	ELBOW, 45°, 3/8 flared tube coupling	4																			
14	66610	BUSHING, Rocker shaft		16	16	16	16	16	16	16	16	16	16	16	16	16	16	16	16	16	16	16
	66670	BUSHING, Rocker shaft, inner															16					16
15	72343	STABILIZER, Cylinder head fins - 15 teeth															4					4
16	72344	STABILIZER, Cylinder head fins - 26 teeth															4					4
17	1102	PLUG, 1/8-27 NPT, Allen															4					4

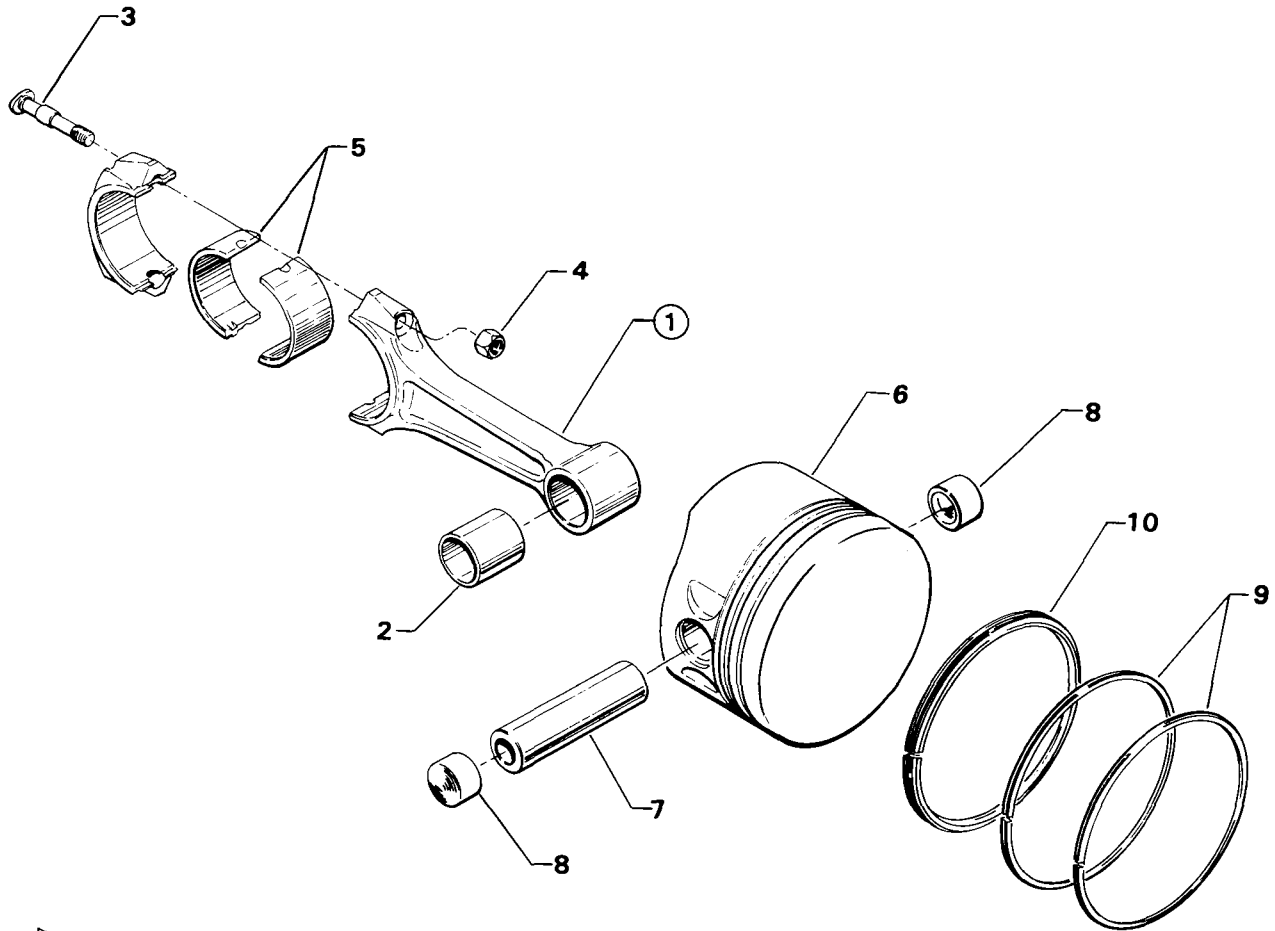


2695

Figure 15. CYLINDER ASSEMBLY

CYLINDER, PISTON AND VALVE TRAIN
CONNECTING ROD, PISTON AND RING ASSEMBLIES

FIG. REF.	PART NUMBER	DESCRIPTION	O N A L L	QUANTITY PER ASSEMBLY																	
				O-360												IO-360		HO-360		HIO-360	
				A1	A2	A3	A1	A1	A2	A2	B2	C2	C2	C2	D2	D2	A1	B1	B1	B1	B1
1	LW-11750	CONNECTING ROD ASSEMBLY, Machining		4	4	4	4	4	4	4	4	4	4	4	4	4	4	4	4		
	LW-19332	CONNECTING ROD ASSEMBLY, Machining															4				
	LW-13937	CONNECTING ROD ASSEMBLY, Machining																		4	4
2	LW-13923	BUSHING, Connecting rod, upper	4																		
3	75061	BOLT, Connecting rod		8	8	8	8	8	8	8	8	8	8	8	8	8		8	8	8	8
	LW-12596	BOLT, Connecting rod															8				
	LW-12595	BOLT, Connecting rod																		8	8
4	LW-12186	NUT, 3/8-24	8																		
5	LW-13521	BEARING, Connecting rod (use in pairs)		8	8	8	8	8	8	8	8	8	8	8	8	8		8	8	8	8
	LW-14954	BEARING, Connecting rod (alternate)															8				
	LW-13522	BEARING, Connecting rod																		8	8
	LW-16048	BEARING, Connecting rod (alternate)																		8	8
6	75089	PISTON, Comp. ratio 8.50:1		4	4	4	4	4	4	4	4	4	4	4	4	4		4	4	4	4
	75413	PISTON, Comp. ratio 7.2:1								4				4	4						
	LW-10207	PISTON, Comp. ratio 8.7:1														4					4
7	LW-14078	PIN, Piston	4																		
8	60828	PLUG, Piston pin	8																		
	72198	PLUG, Piston pin		8	8								8				8				
9	74241	RING, Piston compression		8	8	8	8	8	8	8		8	8	8	8		8	8	8	8	8
	74673	RING, Piston compression		8	8								8				8				
	74989	RING, Piston, top compression								8				8	8						
10	73857	RING, Piston, oil reg. expander type	4																		
	73998	RING, Piston, oil reg. expander type		4	4									4			4				

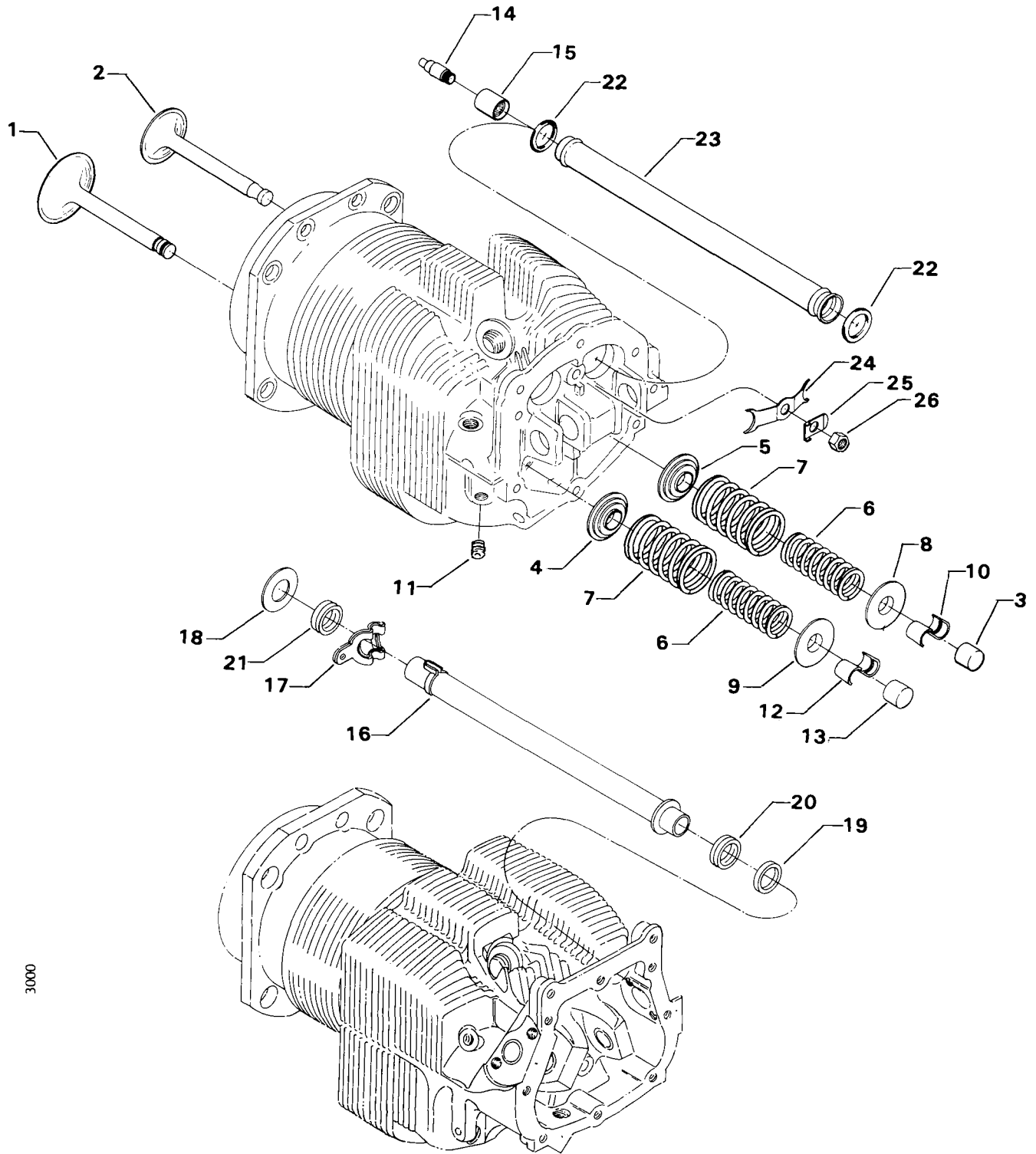


2247

Figure 16. CONNECTING ROD, PISTON AND RING ASSEMBLIES

CYLINDER, PISTON AND VALVE TRAIN
VALVE ASSEMBLY

FIG. REF.	PART NUMBER	DESCRIPTION	O N A L	QUANTITY PER ASSEMBLY																		
				O-360								IO-360		HO-360		HIO-360						
				A1	A2	A3	A1	A1	A2	A2	B2	C2	C2	C2	D2	D2	A1	B1	B1	B1	B1	A1
1	73938	VALVE, Intake		4	4	4	4	4	4	4	4	4	4	4	4		4	4	4	4		4
	LW-13622	VALVE, Intake														4						
	LW-12949	VALVE, Intake (rotator)																			4	
2	LW-19001	VALVE, Exhaust (rotator)		4	4	4	4	4	4	4	4	4	4	4	4		4	4	4	4	4	4
	LW-16740	VALVE, Exhaust (rotator)														4						4
3	MS13998-3	CAP, Valve stem, exhaust	4																			
4	65441	SEAT, Valve spring, lower, intake		4	4	4	4	4	4	4	4	4	4	4	4		4	4	4	4		4
5	LW-13323	SEAT, Valve spring, lower, exhaust		4	4	4	4	4	4	4	4	4	4	4	4		4	4	4	4		4
	LW-13321	SEAT, Valve spring, lower														4						4
	LW-13322	SEAT, Valve spring, lower														4						4
6	LW-11795	SPRING, Valve, auxiliary		8	8	8	8	8	8	8	8	8	8	8	8		8	8	8	8		8
	LW-11797	SPRING, Valve, auxiliary														8						8
7	LW-11800	SPRING, Valve, outer		8	8	8	8	8	8	8	8	8	8	8	8		8	8	8	8		8
	LW-11796	SPRING, Valve, outer														8						8
8	LW-16475	SEAT, Valve spring, upper, exhaust	4																			
9	LW-10077	SEAT, Valve spring		4	4	4	4	4	4	4	4	4	4	4	4		4	4	4	4		4
	69235	SEAT, Valve spring, upper, intake														4						4
10	MS13997-3	KEY, Valve, exhaust	8																			
	72050	KEY, Valve, intake (rotator)														8						8
11	1102	PLUG, 1/8 pipe x 3/8 long, socket		4	4	4		4	4		4	4	4	4	4		4	4		4		4
12	60009	KEY, Valve		8	8	8	8	8	8	8	8	8	8	8	8		8	8	8	8		8
13	62388	CAP, Valve stem														4						4
14	78290	PLUNGER ASSY., Hydraulic tappet	8																			
15	78524	SOCKET, Push rod, hydraulic tappet	8																			
16	72255	SHROUD TUBE ASSY., Push rod														8						8
17	LW-13077	SPRING, Shroud tube														16						16
18	66728	WASHER, 25/32 I.D. x 1-1/4 O.D. x 1/32 thick														16						16
19	61503	SLEEVE, Shroud tube seal														8						8
20	LW-18661	SEAL, Shroud tube (w/61503 sleeve)														8						8
21	62922	SEAL, Shroud tube (crankcase end)	8																			
22	70310	SEAL, Shroud tube		8	8	8	8	8	8	8	8	8	8	8	8		8	8	8	8		8
23	LW-11485	TUBE, Push rod shroud		8	8	8	8	8	8	8	8	8	8	8	8		8	8	8	8		8
24	LW-14995	SPRING, Shroud tube		4	4	4	4	4	4	4	4	4	4	4	4		4	4	4	4		4
25	LW-12272	LOCKPLATE, Shroud tube		4	4	4	4	4	4	4	4	4	4	4	4		4	4	4	4		4
26	STD-1411	NUT, 1/4-20 plain		4	4	4	4	4	4	4	4	4	4	4	4		4	4	4	4		4



3000

Figure 17. VALVE ASSEMBLY

LYCOMING

O, IO, HO, HIO-360 PARTS CATALOG STANDARD CYLINDER FLANGE CRANKCASE MODEL ENGINES

CYLINDER, PISTON AND VALVE TRAIN CYLINDER RELATED PARTS

FIG. REF.	PART NUMBER	DESCRIPTION	O N A L L	QUANTITY PER ASSEMBLY																		
				O-360												IO-360		HO-360		HIO-360		
				A 1 A	A 2 A	A 3 A	A 1 C	A 1 D	A 2 D	A 2 E	B 2 A	C 2 A	C 2 C	C 2 D	D 2 A	D 2 B	A 1 A	B 1 A	B 1 B	B 1 A	B 1 B	A 1 A
1	73434*	ROD ASSEMBLY, Push (A total of 8 required)		AR	AR	AR	AR	AR	AR	AR	AR	AR	AR	AR	AR	AR	AR	AR	AR	AR	AR	
	73435*	ROD ASSEMBLY, Push (A total of 8 required)		AR	AR	AR	AR	AR	AR	AR	AR	AR	AR	AR	AR	AR	AR	AR	AR	AR	AR	
	73436*	ROD ASSEMBLY, Push (A total of 8 required)		AR	AR	AR	AR	AR	AR	AR	AR	AR	AR	AR	AR	AR	AR	AR	AR	AR	AR	
	73455*	ROD ASSEMBLY, Push (A total of 8 required)																AR			AR	
	73456*	ROD ASSEMBLY, Push (A total of 8 required)																AR			AR	
	73457*	ROD ASSEMBLY, Push (A total of 8 required)																AR			AR	
	73458*	ROD ASSEMBLY, Push (A total of 8 required)																AR			AR	
	73555*	ROD ASSEMBLY, Push (A total of 8 required)																AR			AR	
	73556*	ROD ASSEMBLY, Push (A total of 8 required)																AR			AR	
	73557*	ROD ASSEMBLY, Push (A total of 8 required)																AR			AR	
	73558*	ROD ASSEMBLY, Push (A total of 8 required)																AR			AR	
2	LW-18790	ROCKER ASSY., Valve		8	8	8	8	8	8	8	8	8	8	8	8	8	8	8	8	8	8	
3	74637	BUSHING, Valve rocker		8	8	8	8	8	8	8	8	8	8	8	8	8	8	8	8	8	8	
4	71266	ROCKER ASSY., Intake valve																4			4	
5	67114	BUSHING, Valve rocker																4			4	
6	71265	ROCKER ASSY., Exhaust valve																4			4	
7	67114	BUSHING, Valve rocker																4			4	
8	71549	WASHER, Valve rocker thrust																8			8	
9	LW-13790	SHAFT, Valve rocker		4	4	4	4	4	4	4	4	4	4	4	4	4	4	4	4	4	4	
10	72626	SHAFT, Valve rocker																8			8	
11	LW-12892	THRUST BUTTON, Rocker shaft		8	8	8	8	8	8	8	8	8	8	8	8	8	8	8	8	8	8	
12	66732	GASKET, Valve rocker shaft cover																8			8	
13	72710	COVER, Valve rocker shaft																8			8	
14	STD-160	WASHER, 1/4 internal lock																16			16	
15	STD-1411	NUT, 1/4-20 plain																16			16	
16	75906	GASKET, Rocker box cover		4	4	4	4	4	4	4	4	4	4	4	4	4	4	4	4	4	4	
17	67193	GASKET, Rocker box cover																4			4	
18	61247	COVER, Rocker box		4	4	4	4	4	4	4	4	4	4	4	4	4	4	4	4	4	4	
19	68795	COVER ASSY., Rocker box																4			4	
20	STD-1925	SCREW, 1/4-20 x 5/8 long, pan. hd., self-locking		24	24	24	24	24	24	24	24	24	24	24	24	24	24	32	24	24	24	24
	STD-1925	SCREW, 1/4-20 x 5/8 long, pan. hd., self-locking																				21
21	1102	PLUG, 1/8-27 NPT, Allen		4	4	4	4	4	4	4	4	4	4	4	4	4		4	4			
22	73966	SPACER, Fuel manifold																			3	
23	STD-1916	SCREW, 1/4-20 x 1-1/8 long, fill hd., self-locking																				3
24	71481	RING, Oil seal, 3/32 dia. section x 4-27/32 I.D.	4																			
25	69531	PLATE, Cylinder hold-down nut		8	8	8	8	8	8	8	8	8	8	8	8	8	8	8	8	8	8	
	69531	PLATE, Cylinder hold-down nut																7	7			
	74327**	PLATE, Cylinder hold-down nut																1	1			
26	71133	NUT, 1/2-20 NF-3 cylinder hold-down	16																			

CYLINDER, PISTON AND VALVE TRAIN
CYLINDER RELATED PARTS (Cont.)

FIG. REF.	PART NUMBER	DESCRIPTION	O N A L L	QUANTITY PER ASSEMBLY															
				O-360								IO-360		HO-360		HIO-360			
				A1	A2	A3	A1	A1	A2	A2	B2	C2	C2	D2	D2	A1	B1	B1	B1
27	71134	NUT, 3/8-24 NF-3 cylinder hold-down	16																
28	65321	GASKET, Exhaust flange		4	4	4	4	4	4	4	4	4	4		4	4			
	75118	GASKET, Exhaust flange												8					
29	61260	FLANGE, Exhaust, stainless		4	4	4	4	4		4	4	4	4		4				
30	STD-35	WASHER, 5/16 plain	8																
31	STD-475	WASHER, 5/16 shakeproof lock	8																
32	STD-1410	NUT, 5/16-18 plain	8																

* See latest edition of Service Instruction No. 1060 for complete push rod application.
** Assemble on top side of #3 cylinder on IO-360-B1B Mooney installations.

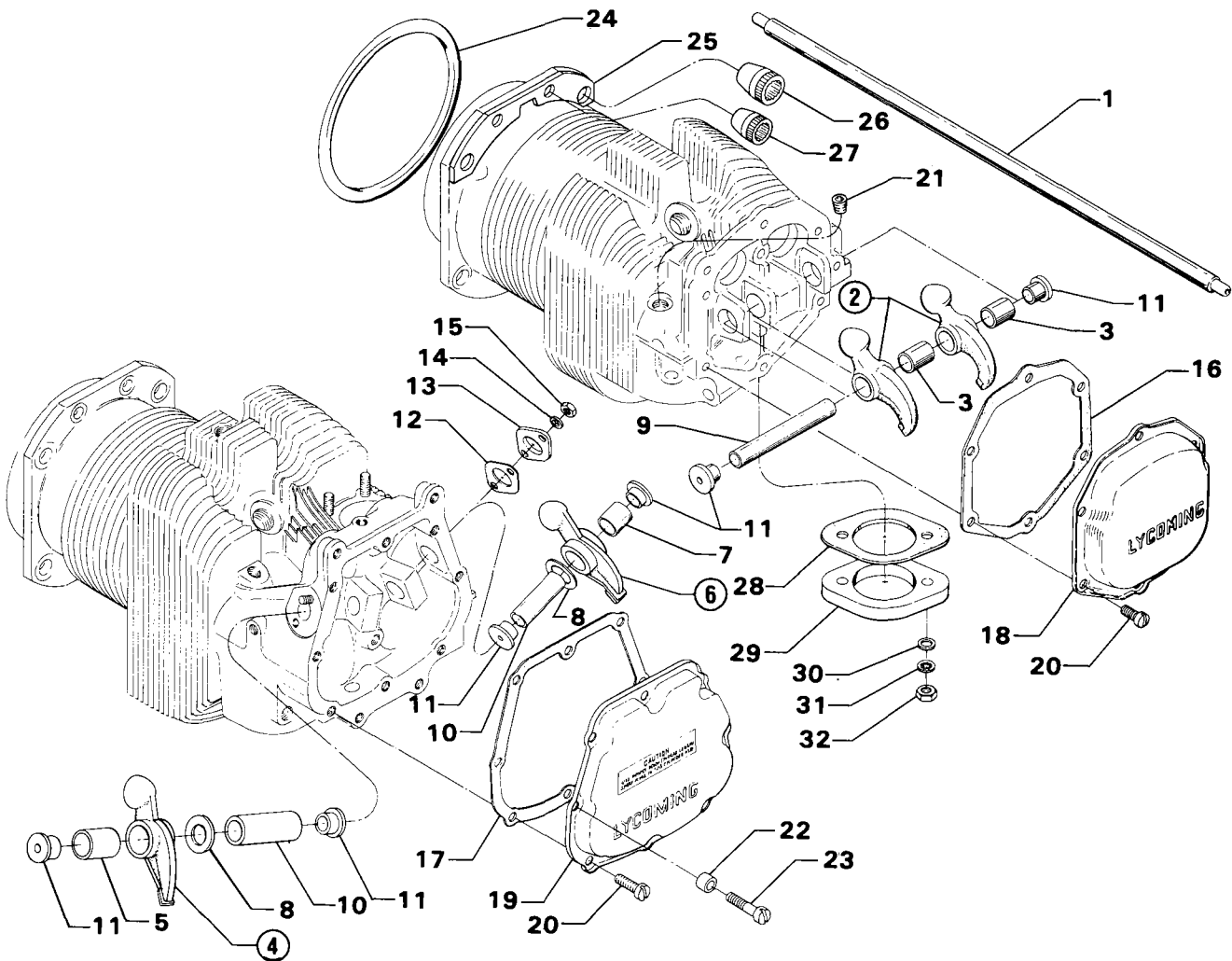
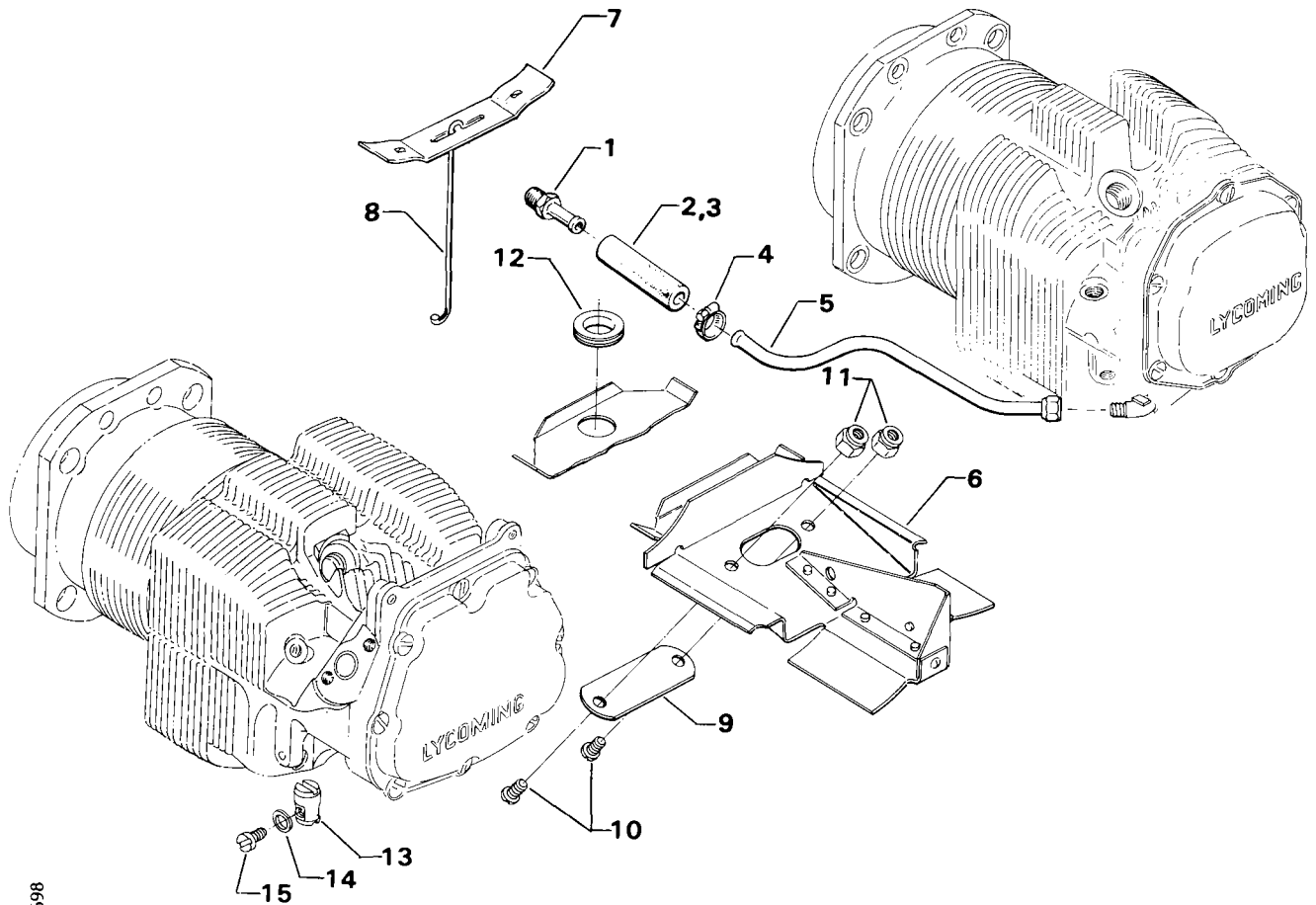


Figure 18. CYLINDER RELATED PARTS

CYLINDER, PISTON AND VALVE TRAIN
CYLINDER HEAD DRAIN TUBES AND INTERCYLINDER COOLING BAFFLES

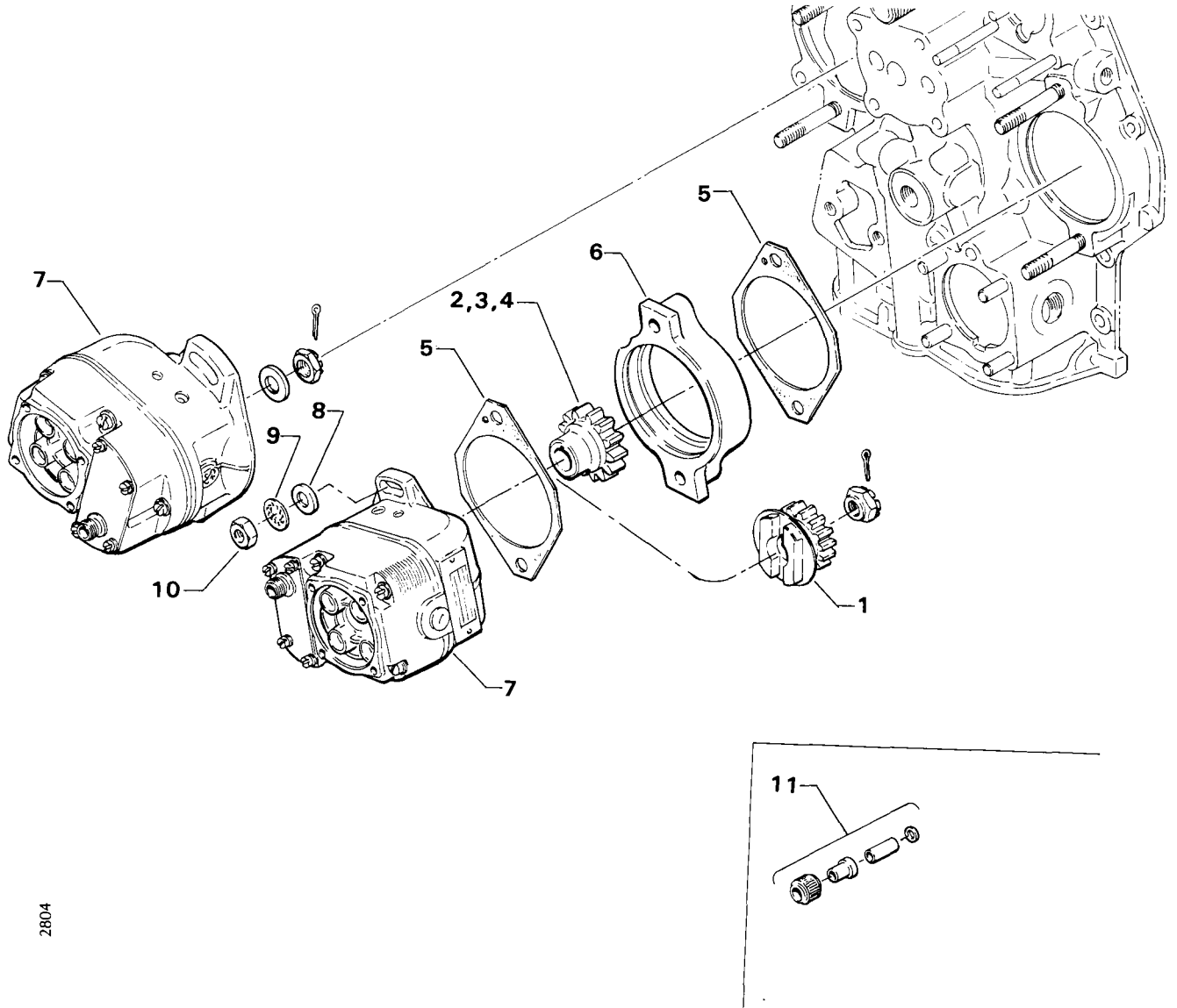
FIG. REF.	PART NUMBER	DESCRIPTION	QTY	QUANTITY PER ASSEMBLY																		
				O-360												IO-360		HO-360		HIO-360		
				A1	A2	A3	A1	A1	A2	A2	A2	B2	C2	C2	C2	D2	D2	A1	B1	B1	B1	B1
1	STD-684	NIPPLE, Straight, 3/8 I.D. hose	4																			
2	STD-1821	HOSE, 3/8 I.D. x 2-1/2 long		4	4	4	4	4	4	4	4	4	4	4		4	4	4	4		4	
3	STD-2180	HOSE, 3/8 I.D. x 1-13/16 long													4						4	
4	LW-15592-5-05	CLAMP, Hose	8																			
5	68759	TUBE ASSY., Cylinder head oil drain, cyl. no. 1		1	1	1	1	1	1	1	1	1	1	1		1	1	1	1		1	
	72702	TUBE ASSY., Cylinder head oil drain, cyl. no. 1														1						
	75149	TUBE ASSY., Cylinder head oil drain, cyl. no. 1																			1	
	68760	TUBE ASSY., Cylinder head oil drain, cyl. no. 2		1	1	1	1	1	1	1	1	1	1	1		1	1	1	1		1	
	72703	TUBE ASSY., Cylinder head oil drain, cyl. no. 2														1					1	
	68761	TUBE ASSY., Cylinder head oil drain, cyls. no. 3 & 4		2	2	2	2	2	2	2	2	2	2	2		2	2	2	2		2	
	74428	TUBE ASSY., Cylinder head oil drain, cyl. no. 3		1																		
	68761	TUBE ASSY., Cylinder head oil drain, cyl. no. 4		1			1	1									1					
	74808	TUBE ASSY., Cylinder head oil drain, cyl. no. 3														1						
	73027	TUBE ASSY., Cylinder head oil drain, cyl. no. 4														1						
	75084	TUBE ASSY., Cylinder head oil drain, cyl. no. 3																			1	
	73027	TUBE ASSY., Cylinder head oil drain, cyl. no. 4																			1	
6	72152	BAFFLE ASSY., Intercylinder		2	2	2	2	2	2	2	2	2	2	2		2	2	2	2		2	
	74718	BAFFLE ASSY., Intercylinder														1					2	
	74719	BAFFLE ASSY., Intercylinder														1						
	72152	BAFFLE ASSY., Intercylinder															1					
	73975*	BAFFLE ASSY., Intercylinder															1					
7	71611	RETAINER, Intercylinder baffle	2																			
8	71610	HOOK, Intercylinder baffle retainer	2																			
9	72834	COVER, Baffle ignition cable hole														2					2	
10	STD-692	SCREW, No. 10-32 x 1/2 long, rd. hd.														4					4	
11	STD-67Q	NUT, No. 10-32 self-locking														4					4	
12	AN931-12S17	GROMMET, 3/4 I.D. x 1-3/8 O.D. x 3/8 thick														1	1					
13	65614**	PLUG, Baffle attaching																			1	
14	STD-251**	WASHER, No. 10 lock, internal teeth																			1	
15	STD-1686**	SCREW, No. 10-32 x 7/16 long, fill. hd.																			1	

* Assemble between no. 1 & 3 cylinder.
** Assemble in no. 2 cylinder head.



2698

Figure 19. CYLINDER HEAD DRAIN TUBES AND INTERCYLINDER COOLING BAFFLES



2804

Figure 20. MAGNETO DRIVES AND MAGNETOS

LYCOMING

0, 10, HO, H10-360 PARTS CATALOG

STANDARD CYLINDER FLANGE CRANKCASE MODEL ENGINES

IGNITION SYSTEM

IGNITION HARNESS AND SPARK PLUGS

FIG. REF.	PART NUMBER	DESCRIPTION	QTY	QUANTITY PER ASSEMBLY																			
				0360												10110		110360		H0360			
				1	2	3	1	1	2	2	2	2	A	2	2	2	1	1	1	1	1	1	1
1	LW-M-2403	HARNESS ASSY., Magneto (left)	1																				
	LW-M-2404	HARNESS ASSY., Magneto (right)	1																				
2	LW-M-2375	PLATE, Spark plug cable	2																				
3	72351	SCREW, No. 10-32 self-locking	8																				
4	LW-14060	CLIP, Two wire for 1/4 screw	2																				
5	STD-8	WASHER, 1/4 plain	2																				
6	STD-160	WASHER, 1/4 lock, internal teeth	2																				
7	AN500-416-12	SCREW, 1/4-20 x 3/4 long, fillister head	2																				
8	STD-1411	NUT, 1/4-20 plain	2																				
9	LW-13939	CLAMP, 1-5/8 I.D.												4						4			
	LW-18959-175-25	CLAMP, 1-3/4 I.D.		4	4	4	4	4	4	4	4	4	4	4	4	4	4	4	4	4			
10	STD-553	SCREW, No. 6-32 x 1/2 long, round head	4																				
11	AN365-632A	NUT, No. 6-32 self-locking	4																				
12	76734	ZIP STRAP	2																				
13	1182-63*	SPARK PLUG, Champion (REM-40E)		8	8	8	8	8	8	8	8	8	8	8	8	8	8	8	8				
	1182-Q5*	SPARK PLUG, AC (SR-93)																	8	8	8		
	1182-J3*	SPARK PLUG, Champion (REM-38E)												8									
**	M-1985-48	LEAD ASSY., Replacement, top and bottom leads (LW-M-2403 & LW-M-2404 harnesses)	AR																				
**	76923-48S70-63	LEAD ASSY., Replacement, top and bottom leads (78539 harness)	AR	AR	AR	AR	AR	AR	AR	AR	AR	AR	AR	AR	AR	AR	AR	AR	AR	AR			
**	76923-48S70-63	LEAD ASSY., Replacement, bottom leads (78540 harness)	AR	AR	AR									AR	AR				AR	AR	AR	AR	
**	76923-48S90-63	LEAD ASSY., Replacement, top leads (78540 harness)	AR	AR										AR	AR					AR	AR	AR	AR
**	76923-48S70-63	LEAD ASSY., Replacement, all top and nos. 1 & 3 bottom leads (78542 harness)	AR					AR															
**	76923-48S110-63	LEAD ASSY., Replacement, nos. 2 & 4 bottom leads (78542 harness)	AR					AR															
**	76923-48S70-63	LEAD ASSY., Replacement, all top and nos. 1 & 2 bottom leads (78547 harness)						AR															
**	76923-48S110-63	LEAD ASSY., Replacement, nos. 3 & 4 bottom leads (78547 harness)						AR															
**	76923-48S70-63	LEAD ASSY., Replacement, top & bottom leads (78538 harness)						AR															
**	76923-48S70-63	LEAD ASSY., Replacement, top leads (78548 harness)																		AR			
**	76923-48S110-63	LEAD ASSY., Replacement, bottom leads (78548 harness)																		AR			

* Item No. 13 spark plugs are used in current production only. Additional spark plugs are available for these engines. See latest edition of Lycoming Engines Service Instruction No. 1042 for complete listing of all approved spark plugs.

** Replacement lead assemblies have spark plug terminal end assembled and are shipped with necessary parts to complete magneto end assembly after being cut to proper length.

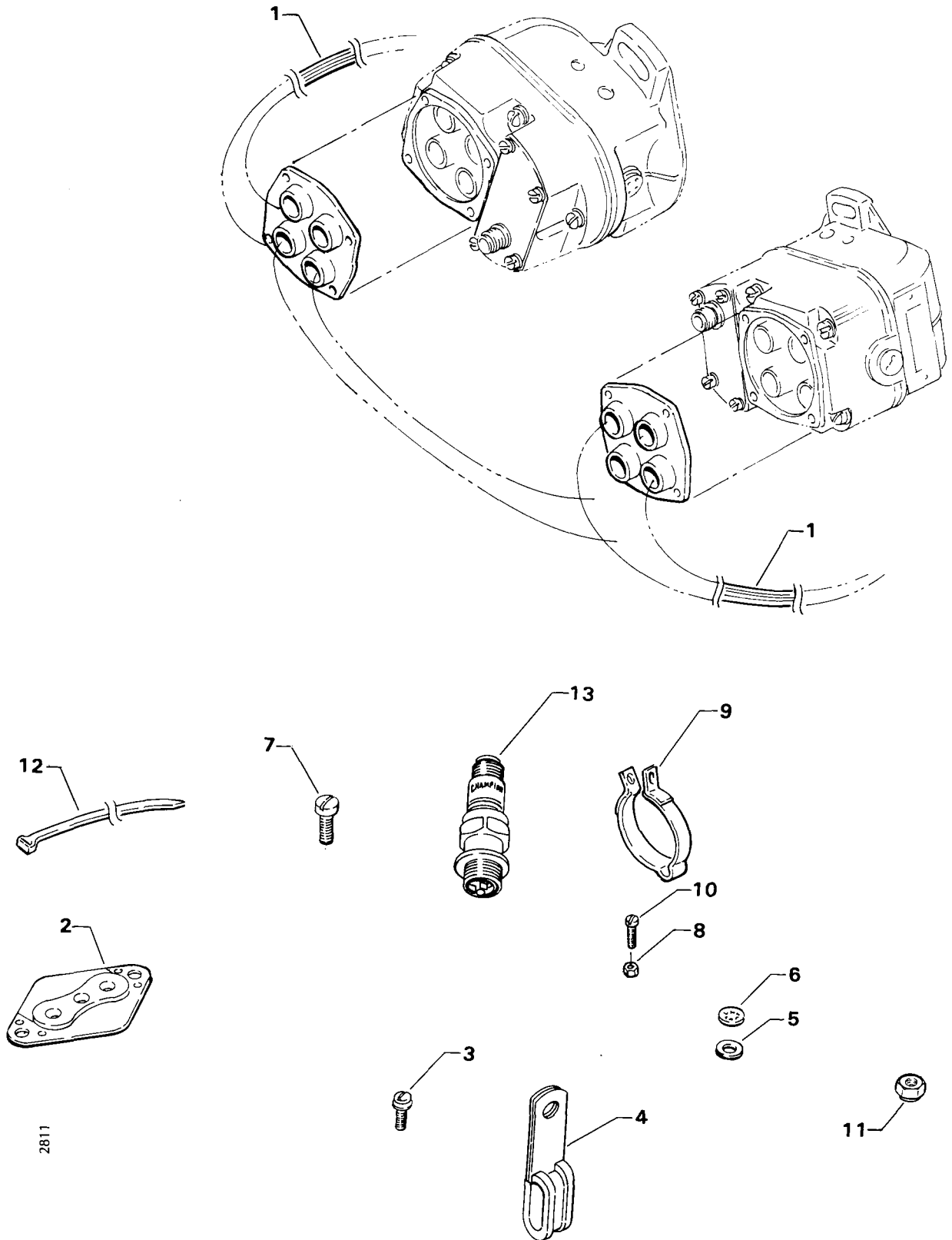


Figure 21. IGNITION HARNESS AND SPARK PLUGS

LYCOMING

O, IO, HO, HIO-360 PARTS CATALOG

STANDARD CYLINDER FLANGE CRANKCASE MODEL ENGINES

ELECTRICAL COMPONENTS

ALTERNATOR AND GENERATOR MOUNTING BRACKETS

FIG. REF.	PART NUMBER	DESCRIPTION	O N A L L	QUANTITY PER ASSEMBLY																			
				O-360								IO-360		HO-360		HIO-360							
				A 1 A	A 2 A	A 3 A	A 1 C	A 1 D	A 2 D	A 2 E	B 2 A	C 2 A	C 2 C	D 2 D	D 2 A	D 2 B	A 1 A	B 1 A	B 1 B	B 1 A	B 1 B	A 1 A	B 1 A
1	69113*	BRACKET, Generator		1	1	1		1	1	1	1	1	1					1	1				
	69452**	BRACKET, Generator		1	1	1	1	1	1		1	1	1	1	1	1	1	1	1	1	1		1
	68870★	BRACKET, Generator		1																			
	72304●	BRACKET, Generator		1															1	1			
2	76273‡	BRACKET, Alternator						1											1				1
3	60733**	SHIM, 1-1/8 O.D. x 11/32 I.D. x 1/2 thick		AR	AR	AR	AR	AR	AR		AR	AR	AR	AR	AR	AR	AR	AR	AR	AR	AR	AR	AR
	60733★	SHIM, 1-1/8 O.D. x 11/32 I.D. x 1/2 thick		AR																			
	60733●	SHIM, 1-1/8 O.D. x 11/32 I.D. x 1/2 thick		AR															AR	AR			
4	STD-8	WASHER, 1/4 plain	1																				
	STD-8●	WASHER, 1/4 plain		AR															AR	AR			
5	STD-160*	WASHER, 1/4 lock, internal teeth		3	3	3		3	3	3	3	3	3					3	3				
	STD-160**	WASHER, 1/4 lock, internal teeth		3	3	3	3	3	3		3	3	3	3	3	3	3	3	3	3	3		3
	STD-160★	WASHER, 1/4 lock, internal teeth		3																			
	STD-160‡	WASHER, 1/4 lock, internal teeth						3											3				3
6	STD-2084*	BOLT, 1/4-20 x 1-3/4 long, hex. hd.		1	1	1		1	1	1	1	1	1					1	1				
	STD-2084**	BOLT, 1/4-20 x 1-3/4 long, hex. hd.		1	1	1	1	1	1		1	1	1	1	1	1	1	1	1	1	1	1	1
	STD-2084★	BOLT, 1/4-20 x 1-3/4 long, hex. hd.		1																			
	STD-2084‡	BOLT, 1/4-20 x 1-3/4 long, hex. hd.						1											1				1
7	STD-1215*	BOLT, 1/4-20 x 1-1/4 long, hex. hd.		2	2	2		2	2	2	2	2	2					2	2				
	STD-1215**	BOLT, 1/4-20 x 1-1/4 long, hex. hd.		2	2	2	2	2	2		2	2	2	2	2	2	2	2	2	2	2	2	2
	STD-1215★	BOLT, 1/4-20 x 1-1/4 long, hex. hd.		2																			
	STD-1215‡	BOLT, 1/4-20 x 1-1/4 long, hex. hd.						2											2				2
8	STD-1411*	NUT, 1/4-20 plain		1	1	1		1	1	1	1	1	1					1	1				
	STD-1411**	NUT, 1/4-20 plain		1	1	1	1	1	1		1	1	1	1	1	1	1	1	1	1	1	1	1
	STD-1411★	NUT, 1/4-20 plain		1																			
	STD-1411‡	NUT, 1/4-20 plain						1											1				1
9	STD-1868●	BOLT, 1/4-20 x 1-51/64 long, hex. hd., dr. end																					
				1																			
10	STD-1864●	NUT, 1/4-28 slotted		1																			
11	STD-68●	PIN, Cotter, 1/16 dia. x 1/2 long		1																			
12	STD-1862●	BOLT, 1/4-20 x 1-3/8 long, hex. hd., dr. hd.		2																			
13	76028*	LINK, Generator adjusting		1	1	1		1	1	1	1	1	1										
	76028**	LINK, Generator adjusting		1	1	1	1	1	1		1	1	1	1	1	1	1	1	1	1	1	1	1
	76028★	LINK, Generator adjusting		1																			
	76028●	LINK, Generator adjusting		1																			
14	74325‡	LINK, Alternator adjusting						1															1
15	STD-35	WASHER, 5/16 plain	1																				
16	LW-31H-.75*	BOLT, 5/16-18 x 3/4 long, hex. hd., dr.		2	2	2		2	2	2	2	2	2					2	2				
	LW-31H-.75**	BOLT, 5/16-18 x 3/4 long, hex. hd., dr.		2	2	2	2	2	2		2	2	2	2	2	2	2	2	2	2	2	2	2
	LW-31H-.75★	BOLT, 5/16-18 x 3/4 long, hex. hd., dr.		2																			
	LW-31H-.75●	BOLT, 5/16-18 x 3/4 long, hex. hd., dr.		2															2	2			
17	LW-31H-.75‡	BOLT, 5/16-18 x 3/4 long, hex. hd., dr.						1												1			1
18	STD-1727	WASHER, Plain, 3/4 O.D. x 11/32 I.D. x 1/8	1																				
19	STD-1834*	BOLT, 5/16-18 x 1-1/16 long, hex. hd., dr. end																					
				1	1	1		1	1	1	1	1	1										
	STD-1834**	BOLT, 5/16-18 x 1-1/16 long, hex. hd., dr. end																					
				1	1	1	1	1	1		1	1	1	1	1	1	1	1	1	1	1	1	1

ELECTRICAL COMPONENTS

ALTERNATOR AND GENERATOR MOUNTING BRACKETS (Cont.)

FIG. REF.	PART NUMBER	DESCRIPTION	O N A L	QUANTITY PER ASSEMBLY																			
				O-360												IO-360		HO-360		HIO-360			
				A 1 A	A 2 A	A 3 A	A 1 C	A 1 D	A 2 D	A 2 E	B 2 A	C 2 A	C 2 C	C 2 D	D 2 A	D 2 B	A 1 A	B 1 A	B 1 B	B 1 A	B 1 B	A 1 A	B 1 A
	STD-1834★	BOLT, 5/16-18 x 1-1/16 long, hex. hd., dr. end												1									
20	STD-1861●	BOLT, 5/16-18 x 1-15/64 long, hex. hd. dr. end		1														1	1				
21	STD-1835*	BOLT, 5/16-18 x 1-23/64 long, hex. hd., dr. end		1	1	1		1	1	1	1	1		1				1	1				
	STD-1835**	BOLT, 5/16-18 x 1-23/64 long, hex. hd., dr. end		1	1	1	1	1	1	1	1	1	1	1	1	1	1	1	1	1	1	1	
	STD-1835★	BOLT, 5/16-18 x 1-23/64 long, hex. hd., dr. end		1																			
	STD-1835●	BOLT, 5/16-18 x 1-23/64 long, hex. hd., dr. end		1														1	1				
22	LW-31H-.75‡	BOLT, 5/16-18 x 3/4 long, hex. hd., dr.																				1	
23	STD-33‡	WASHER, 3/8 plain																				1	
24	AN6-32‡	BOLT, 3/8-24 x 3-21/64 long, hex. hd., dr. end																				1	
25	STD-35*	WASHER, 5/16 plain		AR	AR	AR		AR	AR	AR	AR	AR	AR					AR	AR				
	STD-35**	WASHER, 5/16 plain		AR	AR	AR	AR	AR	AR	AR	AR	AR	AR	AR	AR	AR	AR	AR	AR	AR	AR	AR	AR
	STD-35★	WASHER, 5/16 plain		AR																			
	STD-35●	WASHER, 5/16 plain		AR														AR	AR				
26	STD-33‡	WASHER, 3/8 plain																				AR	
27	STD-1420*	NUT, 5/16-18 slotted		2	2	2		2	2	2	2	2		2				2	2				
	STD-1420**	NUT, 5/16-18 slotted		2	2	2	2	2	2	2	2	2	2	2	2	2	2	2	2	2	2	2	
	STD-1420★	NUT, 5/16-18 slotted		2																			
	STD-1420●	NUT, 5/16-18 slotted		2														2	2				
28	STD-872‡	NUT, 3/8-24 slotted																				1	
29	STD-68*	PIN, Cotter, 1/16 dia. x 1/2 long		2	2	2		2	2	2	2	2		2				2	2				
	STD-68**	PIN, Cotter, 1/16 dia. x 1/2 long		2	2	2	2	2	2	2	2	2	2	2	2	2	2	2	2	2	2	2	
	STD-68★	PIN, Cotter, 1/16 dia. x 1/2 long		2																			
	STD-68●	PIN, Cotter, 1/16 dia. x 1/2 long		2														2	2				
30	STD-68‡	PIN, Cotter, 1/16 dia. x 1/2 long																				1	
31	STD-713‡	PIN, Cotter, 3/32 dia. x 3/4 long																				1	
32	69951*	STRUT, Generator support		1	1	1		1	1	1	1	1	1					1	1				
	69951**	STRUT, Generator support		1	1	1	1	1	1	1	1	1	1	1	1	1	1	1	1	1	1	1	
	69951★	STRUT, Generator support		1																			
	72321●	STRUT, Generator support		1																		1	
	74323‡	STRUT, Alternator support																				1	
33	LW-31H-.75	BOLT, 5/16-18 x 3/4 long, hex. hd., dr.		1																			

- * Used with Lycoming P/N 68764 generator (Delco-Remy P/N 1101899)
- ** Used with Lycoming P/N 68767 generator (Delco-Remy P/N 1101900)
- Used with Lycoming P/N 68765 generator (Delco-Remy P/N 1101901)
- Used with Lycoming P/N 71744 generator (Delco-Remy P/N 1101915)
- ★ Used with Lycoming P/N 68871 generator (Delco-Remy P/N 1101905)
- Used with Lycoming P/N 71980 generator (Delco-Remy P/N 1105052)
- Used with Lycoming P/N 72695 generator (Delco-Remy P/N 1105055)
- ‡ Used with Lycoming P/N 74319 alternator (Delco-Remy P/N 1100717)
- Used with Lycoming P/N 74816 alternator (Delco-Remy P/N 1100718)

NOTE

The generator and alternator P/N's listed after the symbols are only to aid in identifying the required mounting brackets and attaching parts. Generators and alternators are subject to current stock. See latest edition of Service Instruction No. 1154.

**Intentionally
Left
Blank**

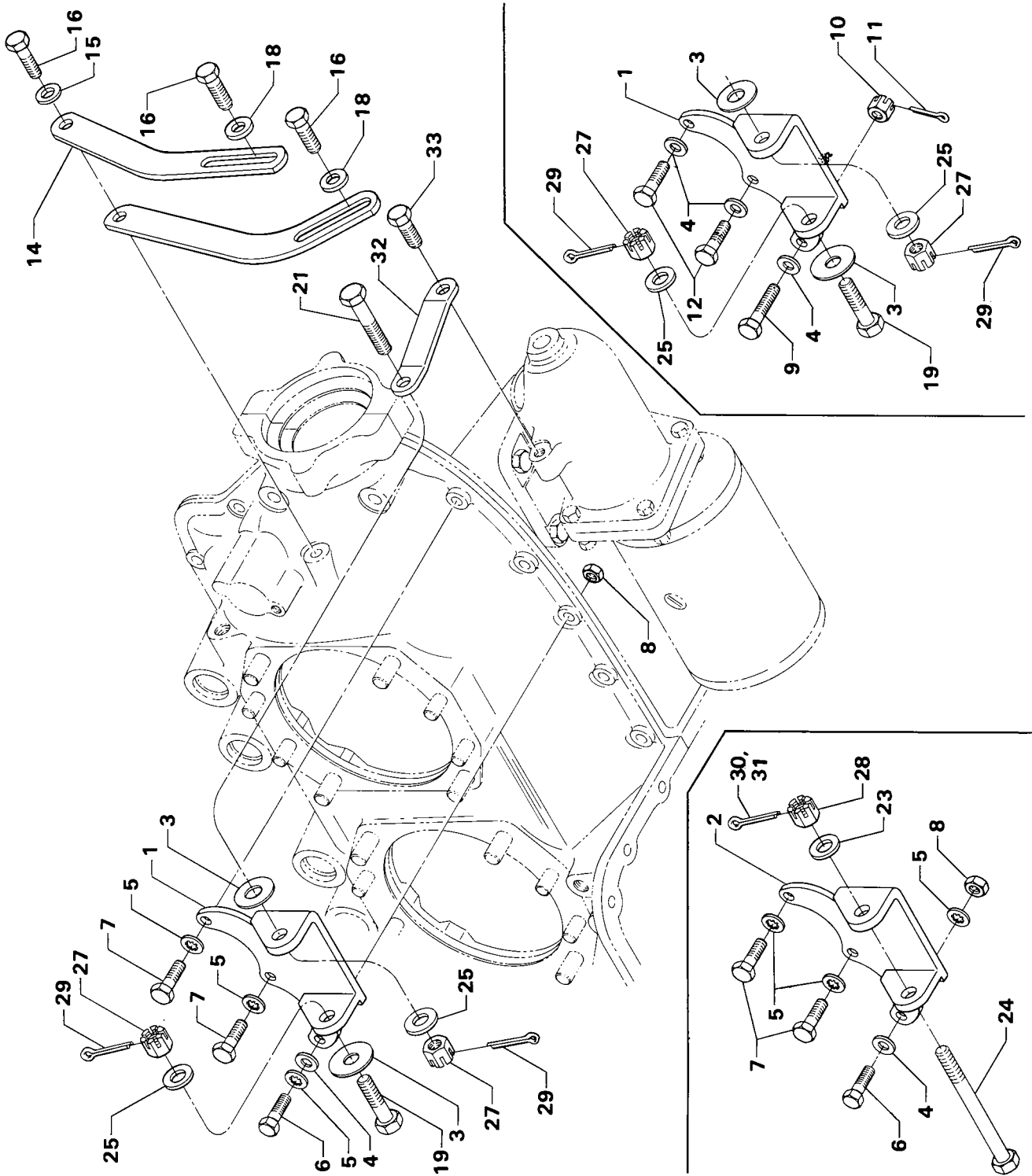


Figure 22. ALTERNATOR AND GENERATOR MOUNTING BRACKETS

ELECTRICAL COMPONENTS
STARTER MOTOR AND MAGNETIC SWITCH

FIG. REF.	PART NUMBER	DESCRIPTION	O N A L L	QUANTITY PER ASSEMBLY																			
				O-360								IO-360		HO-360		HIO-360							
				A1	A2	A3	A1	A1	A2	A2	A2	C2	C2	C2	D2	D2	A1	B1	B1	B1	A1	B1	
1	LW-15571	STARTER, 12 volt, (3.38:1 internal reduction) (12/14 pitch pinion) (MZ-4222)		1	1	1	1	1	1	1	1	1	1	1	1	1	1						
	LW-15572	STARTER, 24 volt (3.38:1 internal reduction) (12/14 pitch pinion) (MHB-4016)		1	1		1			1		1				1	1						
	LW-18989	STARTER, 12 volt (3.38:1 internal reduction) (12/14 pitch pinion) (MZ-4226)										1						1	1	1	1		
2	LW-12083	SWITCH, Magnetic (SAZ-4201E-1)		1	1	1	1	1	1	1	1	1	1	1	1	1	1						
3	STD-35	WASHER, 5/16 plain		4	4	4	4	4	4	4	4	4	4	3	4	4	4	4	4	3	3	3	3
4	STD-475	WASHER, 5/16 shakeproof lock		4	4	4	4	4	4	4	4	4	4		4	4	4	4	4				
5	STD-2156	BOLT, 5/16-18 x 1-5/32 long, hex. hd.		1	1	1	1	1	1	1	1	1	1		1	1	1	1	1				
6	STD-1889	BOLT, 5/16-18 x 1-7/32 long, hex. hd.												2					2	2	2	2	
7	STD-1410	NUT, 5/16-18 plain		3	3	3	3	3	3	3	3	3	3		3	3	3	3	3				
8	STD-1420	NUT, 5/16-18 slotted											1						1	1	1	1	

NOTE

See latest edition of Lycoming Service Instruction No. 1154 for complete listing of FAA approved starters, generators, alternators, regulators and relays.

2706

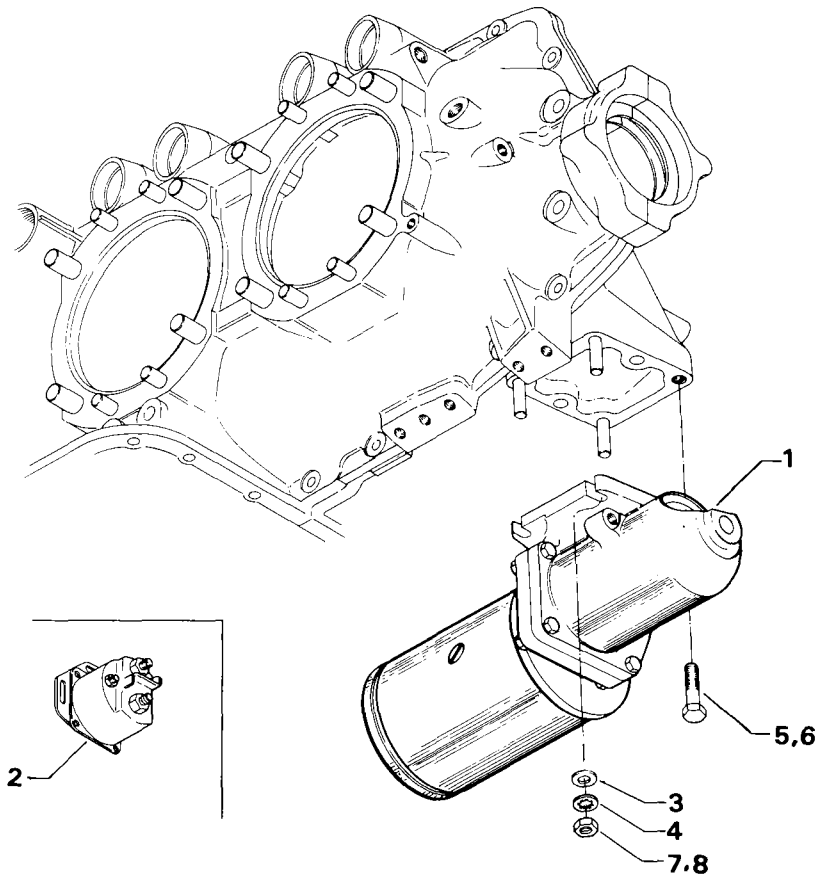
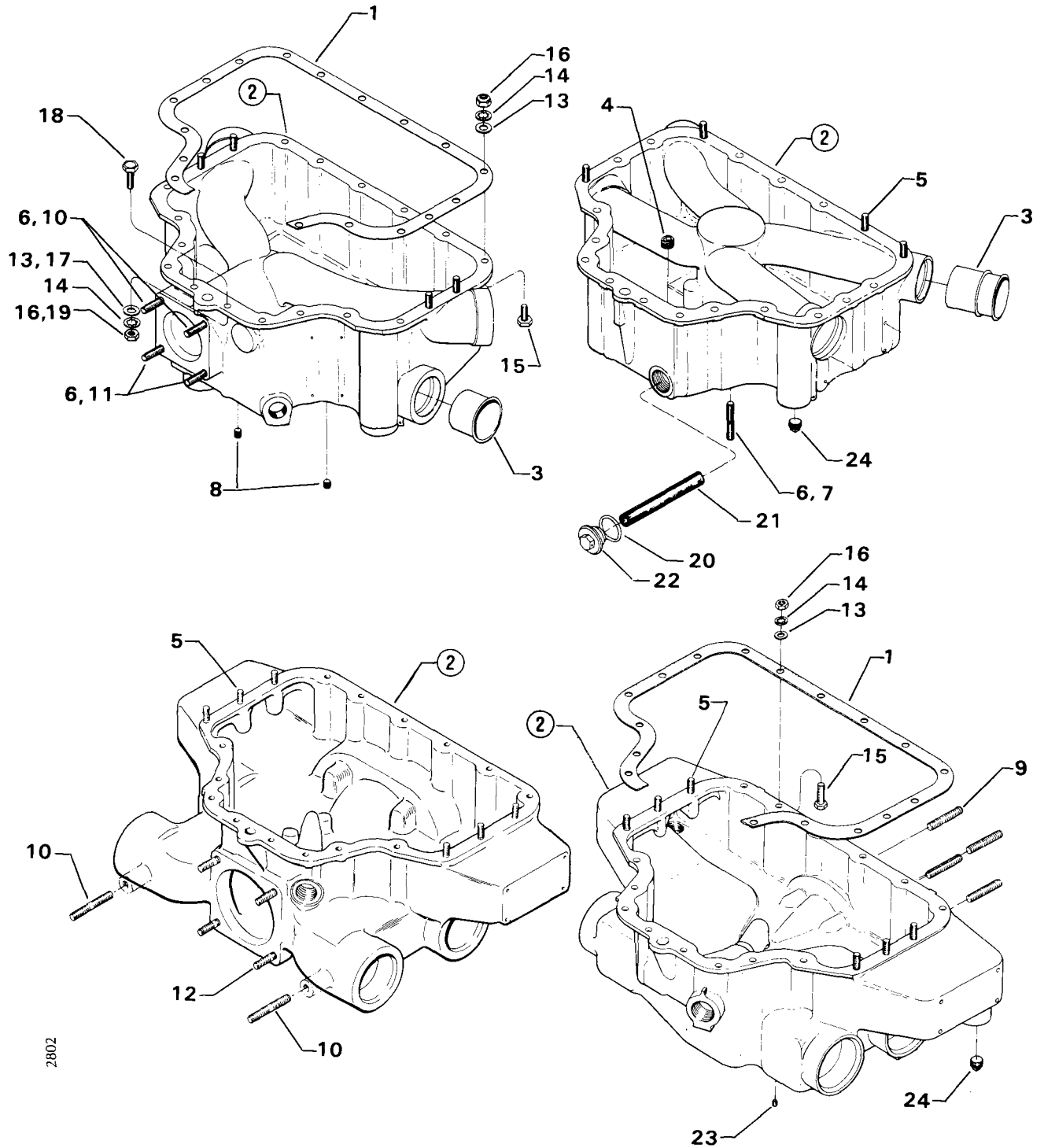


Figure 24. STARTER MOTOR AND MAGNETIC SWITCH

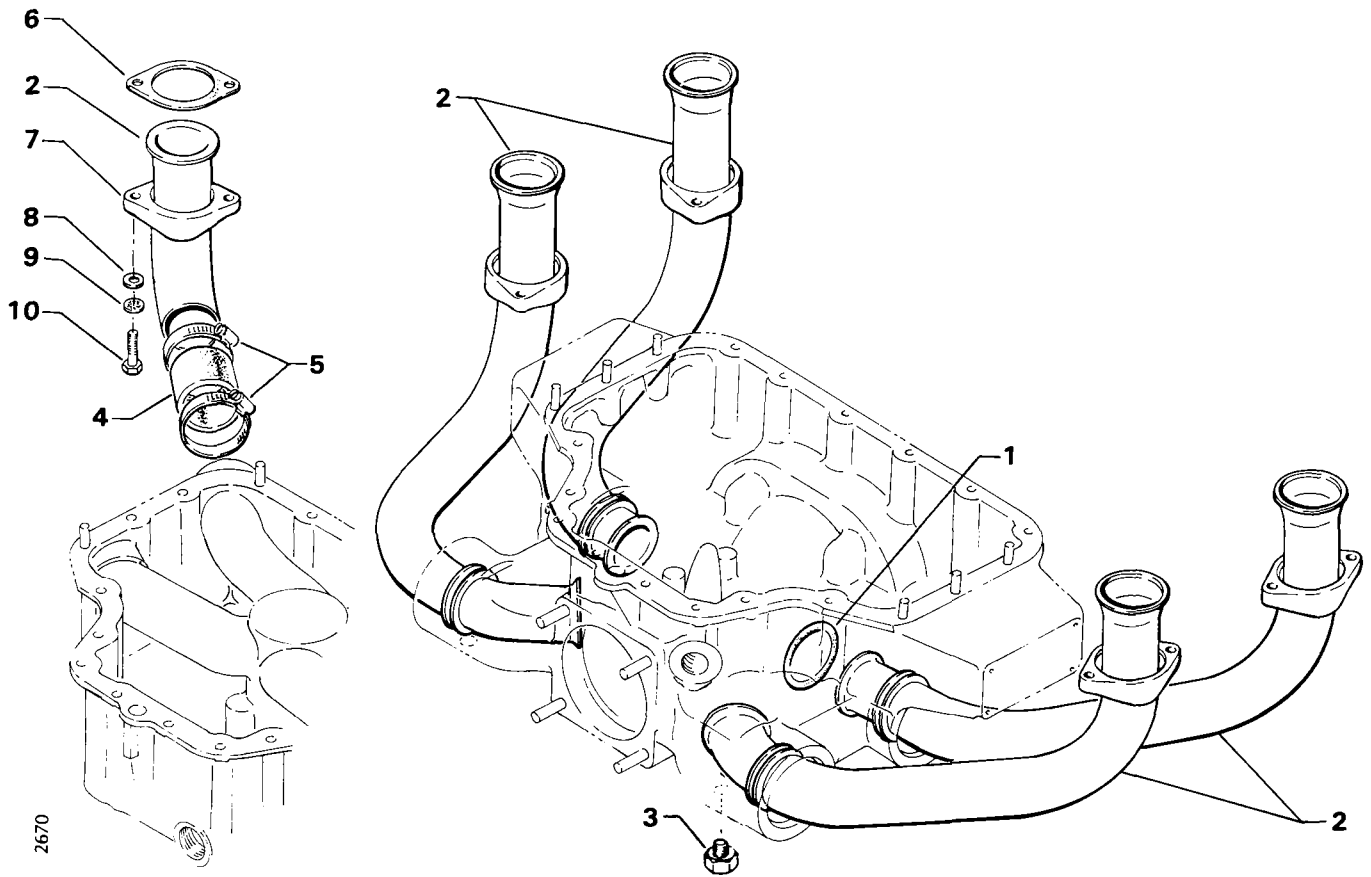


2802

Figure 25. OIL SUMP ASSEMBLY AND OIL SUCTION SCREEN

OIL SUMP AND INDUCTION SYSTEM
INTAKE PIPES

FIG. REF.	PART NUMBER	DESCRIPTION	O N A L L	QUANTITY PER ASSEMBLY																		
				O-360												IO-360		HO-360		HIO-360		
				A1	A2	A3	A1	A1	A2	A2	A2	A2	A2	A2	A2	A2	A2	A2	A	B	B	B
1	77569	SEAL, Intake pipe																4				4
2	70485	PIPE, Intake		4	4	4		4	4	4	4	4	4	4	4	4	4	4	4			
	71712	PIPE, Intake no. 1 & 2 cylinders					2						2						2	2		2
	71713	PIPE, Intake no. 3 & 4 cylinders					2						2						2	2		2
	78741	PIPE, Intake no. 1 cylinder																1				
	78742	PIPE, Intake no. 2 cylinder																1				
	78743	PIPE, Intake no. 3 cylinder																1				
	78744	PIPE, Intake no. 4 cylinder																1				
	78981	PIPE, Intake no. 1 cylinder																				1
	78982	PIPE, Intake no. 2 cylinder																				1
	78983	PIPE, Intake no. 3 cylinder																				1
	78984	PIPE, Intake no. 4 cylinder																				1
3	74139	ADAPTER ASSY., Fuel drain valve					2						2						2	2	2	2
4	69603	HOSE, 1-3/4 I.D. x 2-3/16 O.D. x 1-3/4 long		4	4	4	4	4	4	4	4	4	4	4	4	4	4	4	4	4	4	4
5	LW-15592-8-28	CLAMP, Hose		8	8	8	8	8	8	8	8	8	8	8	8	8	8	8	8	8	8	8
6	71973	GASKET, 2 bolt flange, 1-7/8 I.D.	4																			
7	73346	FLANGE, Intake pipe, upper		4	4	4	4	4	4	4	4	4	4	4	4	4	4	4	4	4	4	4
8	STD-8	WASHER, 1/4 plain	8																			
9	STD-160	WASHER, 1/4 lock, internal teeth	8																			
10	STD-1215	BOLT, 1/4-20 x 1-1/4 long, hex. hd.	8																			



2670

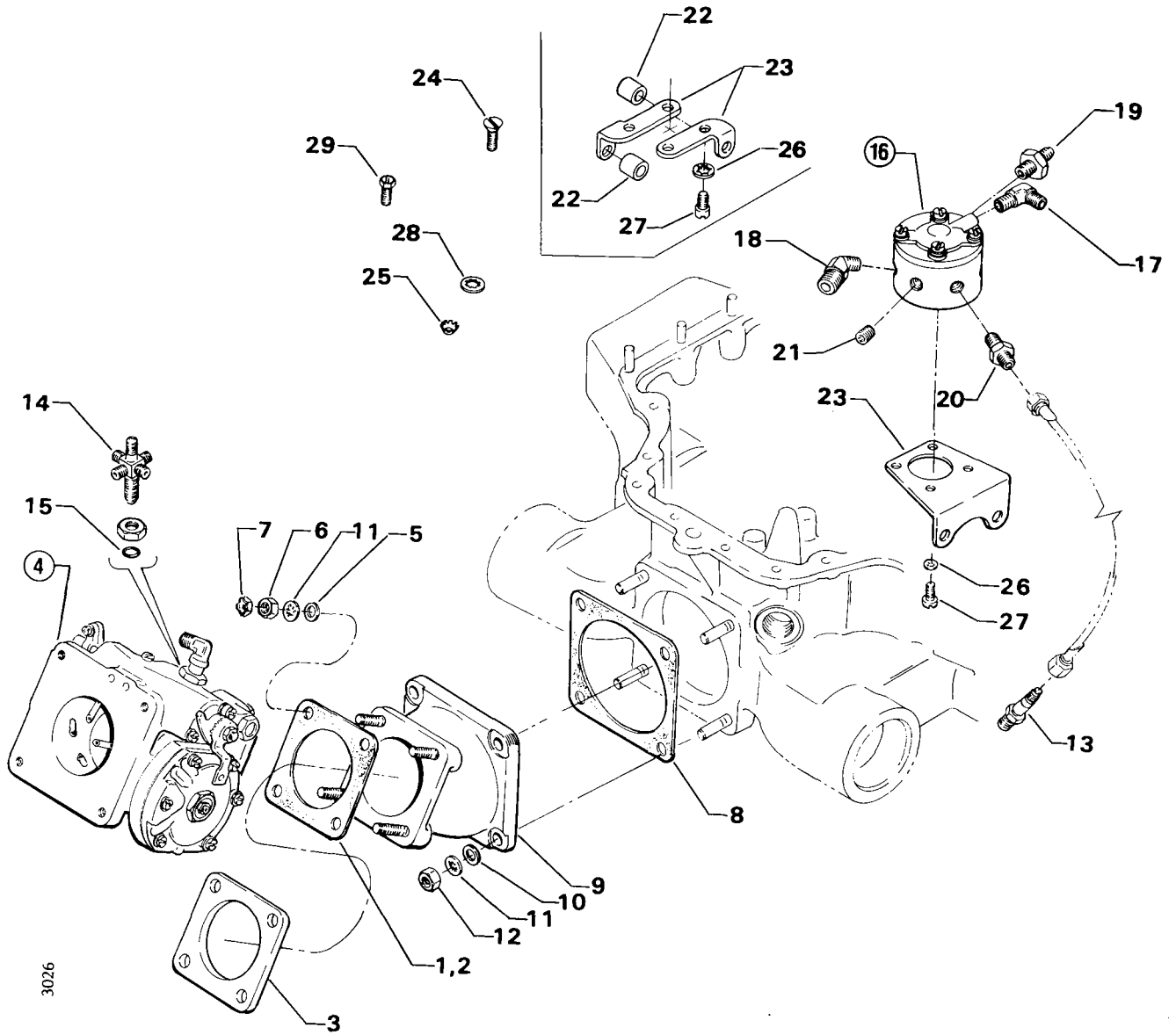
Figure 26. INTAKE PIPES

LYCOMING

O, IO, HO, HIO-360 PARTS CATALOG STANDARD CYLINDER FLANGE CRANKCASE MODEL ENGINES

OIL SUMP AND INDUCTION SYSTEM FUEL INJECTORS, FUEL MANIFOLDS AND INJECTION NOZZLES

FIG. REF.	PART NUMBER	DESCRIPTION	O N A L L	QUANTITY PER ASSEMBLY																			
				O-360								IO-360		HO-360		HIO-360							
				A1	A2	A3	A1	A1	A2	A2	A2	B	C	C	C	D	D	A	B	B	B	A	B
1	1691-C	GASKET, Fuel pump															2						
2	66224	GASKET, Fuel injector															1	3	2			1	2
3	LW-10799	SPACER, Fuel injector pump															1						
	73161	SPACER, Fuel injector															1	1					
	74842	SPACER, Fuel injector																					1
4	74556	FUEL INJECTOR, Bendix (2524147-11)																1					
	73937	FUEL INJECTOR, Bendix (2524054-9)															1	1					
	76703	FUEL INJECTOR, Bendix (2524262-8)																					1
	77194	FUEL INJECTOR, Bendix (2524254-9)																					1
	73839	FUEL INJECTOR AND THROTTLE BODY ASSY., Simmonds																1					
5	STD-35	WASHER, 5/16 plain															4	4	4			4	6
6	STD-1410	NUT, 5/16-18 plain															4	4	4			4	4
7	STD-36	LOCKNUT, 5/16 (palnut)															4	4	4			4	4
8	73032	GASKET, Fuel injector elbow																				1	
9	74849	ELBOW ASSY., Fuel injector																				1	
10	STD-35	WASHER, 5/16 plain															4	4	4			4	6
11	STD-475	WASHER, 5/16 lock, internal teeth																4				4	
12	STD-1410	NUT, 5/16-18 plain															4	4	4			4	4
13	LW-18265	NOZZLE, Injection															4	4	4			4	4
14	75095	DIVIDER, Fuel manifold																					1
15	MS29512-4	SEAL, Oil, 23/32 dia. section x 11/32 I.D.																					1
16	75280	MANIFOLD ASSY., Fuel																1					
	75279	MANIFOLD ASSY., Fuel															1	1					
	75282	MANIFOLD ASSY., Fuel																					1
17	MS20822-4	ELBOW, 1/4 tube, 1/8 NPT, 90°															1	1				1	
18	AN791-2	ELBOW, Union 45°, 1/8 tube															4	4				2	
19	STD-148	NIPPLE, Union, 1/8 NPT																4					
20	75447	NIPPLE, 3/16 tube to 1/8 NPT (restricted)															1	1				2	
21	1102	PLUG, 1/8-27 NPT, Allen															2	2	2			2	2
22	73966	SPACER, Fuel manifold bracket																2					
23	74597	BRACKET, Fuel manifold																1					
	74598	BRACKET, Fuel manifold																1					
	74326	BRACKET, Fuel manifold															1						
	74821	BRACKET, Fuel manifold																					1
24	STD-1907	SCREW, No. 10-24 x 9/16 long, flat head																4					
25	STD-1908	WASHER, No. 10 lock, internal teeth, 82°																4					
26	STD-251	WASHER, No. 10 lock, internal teeth															4	4				4	
27	STD-82	SCREW, No. 10-24 x 1/2 long, round head															4	4				4	
28	STD-160	WASHER, 1/4 lock, internal teeth															1	1					
29	STD-1897	SCREW, 1/4-28 x 17/64 long, hex. hd.															1	1					



3026

Figure 27. FUEL INJECTORS, FUEL MANIFOLDS AND INJECTION NOZZLES

OIL SUMP AND INDUCTION SYSTEM
CARBURETORS AND RELATED PARTS

FIG. REF. 28	PART NUMBER	DESCRIPTION	O N A L	QUANTITY PER ASSEMBLY																		
				0-360								10-360		HO-360		HIO-360						
				A A	A A	A A	A C	A D	A D	A E	B A	C A	C C	C D	D A	D B	A A	B A	B B	B A	B B	A A
1	66224	GASKET, Carburetor		1	1	1	1	1	1	1	1	1	1	1	1				1	1		
2	71098	CARBURETOR, (10-3878)		1	1	1		1	1	1	1	1	1	1	1							
	71710	CARBURETOR, (10-4164-1)		1	1	1		1	1			1										
	73132	CARBURETOR, (391820-2) PSH-5BD					1															
	73392	CARBURETOR, (391679-9) PSH-5BD										1							1	1		
3	STD-35	WASHER, 5/16 plain	4																			
4	STD-1410	NUT, 5/16-18 plain	4																			
5	STD-36	LOCKNUT, 5/16 (palnut)	4																			
6	74753*	NIPPLE ASSY., Primer										1							1	1		

* Assemble in carburetor at sump flange end.

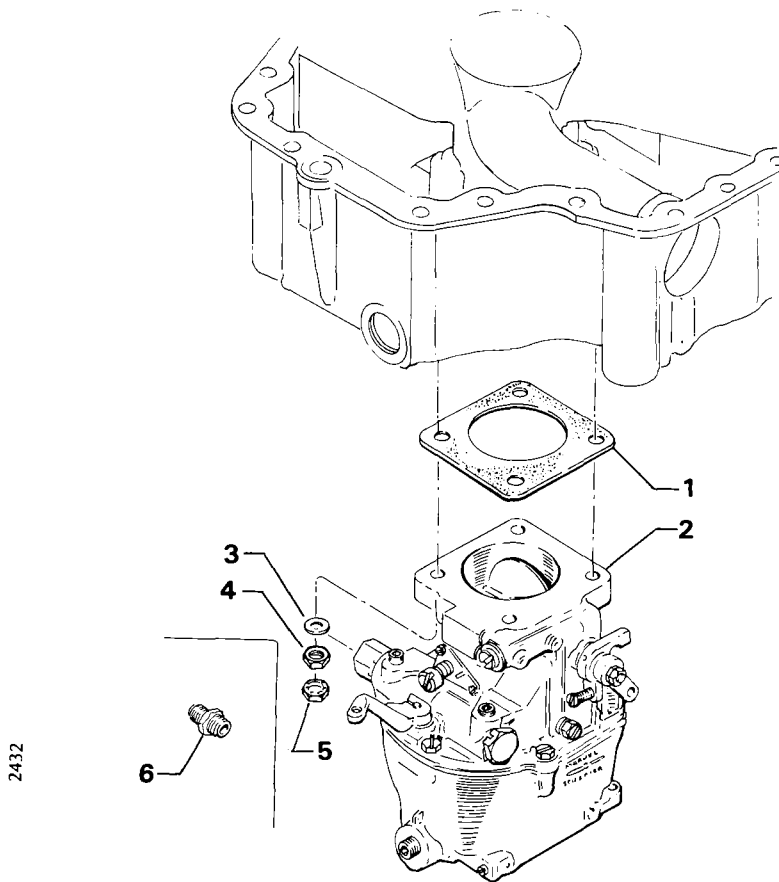
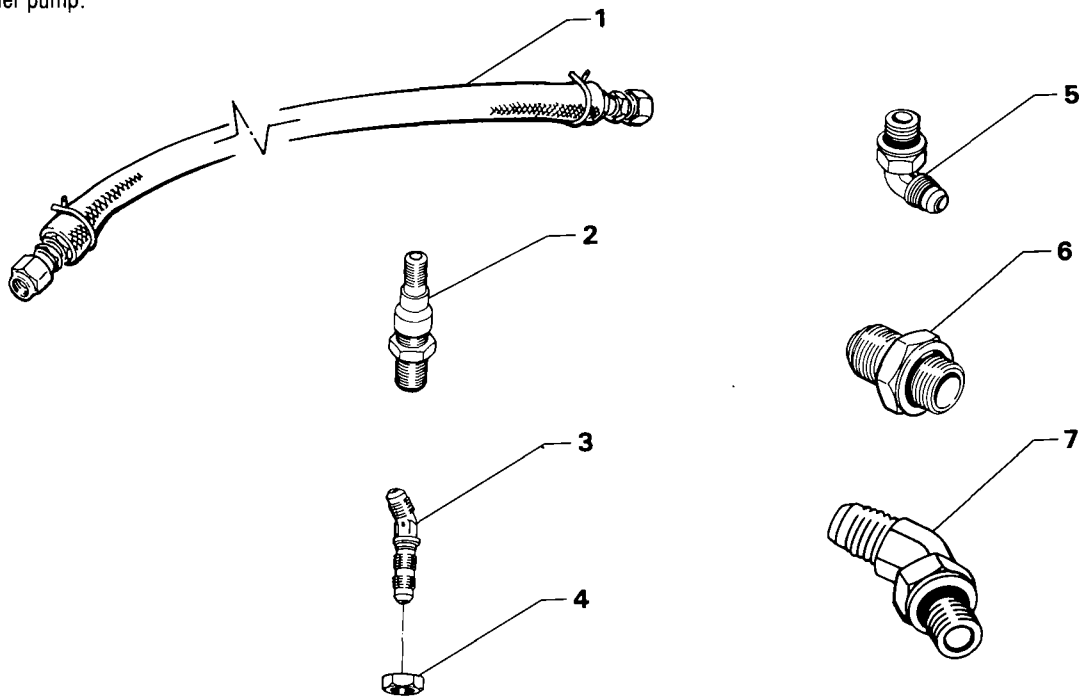


Figure 28. CARBURETORS AND RELATED PARTS

OIL SUMP AND INDUCTION SYSTEM
FUEL LINES, FUEL HOSES AND ATTACHING PARTS

FIG. REF.	PART NUMBER	DESCRIPTION	O N A L L	QUANTITY PER ASSEMBLY																	
				O-360								IO-360		HO-360		HIO-360					
				A1	A2	A3	A1	A1	A2	A2	A2	C	C	C	D	D	A	B	B	B	A
29				A	A	A	A	A	A	B	C	C	C	D	D	A	B	B	B	A	B
1	LW-13192-4S-334*	HOSE ASSY., Fuel injector to manifold (lower)																1			
	LW-12784-4-102*	HOSE ASSY., Fuel injector to manifold (upper)																1			
	LW-13183-6S-161*	HOSE, Fuel to injector																1			
	LW-12783-6-196	HOSE, Fuel pump to injector														1					
	LW-12784-4-172	HOSE, Fuel injector to fuel manifold														1					
	LW-12798-4S-222**	HOSE ASSY., Fuel injector to fuel manifold																1			
	LW-13183-6S-161**	HOSE, Fuel to injector																1			
	LW-12784-4-102★	HOSE ASSY., Fuel injector to fuel manifold																			1
	LW-12783-6-112★	HOSE ASSY., Fuel pump to injector																		1	1
2	74143	NOZZLE, Injection (530570)															4				
3	AN837-4*	ELBOW, 1/4 flared tube (bulkhead), 45°																1			
4	AN924-4*	NUT, Flared tube (bulkhead)																1			
5	72377*	ELBOW, 3/8 tubing, adj. 90°																1			
	72377**	ELBOW, 3/8 tubing, adj. 90°																1			
6	74070●	ELBOW, 3/8 tubing, adj. 45°														1					
7	LW-16562●	NIPPLE, 3/8 flared tube to 9/16-18 st. thd.																		1	1

- * IO-360-B1B Beech installations.
- ** IO-360-B1B Mooney installations.
- ★ HIO-360-A1B & B1B Hughes installations.
- Assemble in fuel pump.

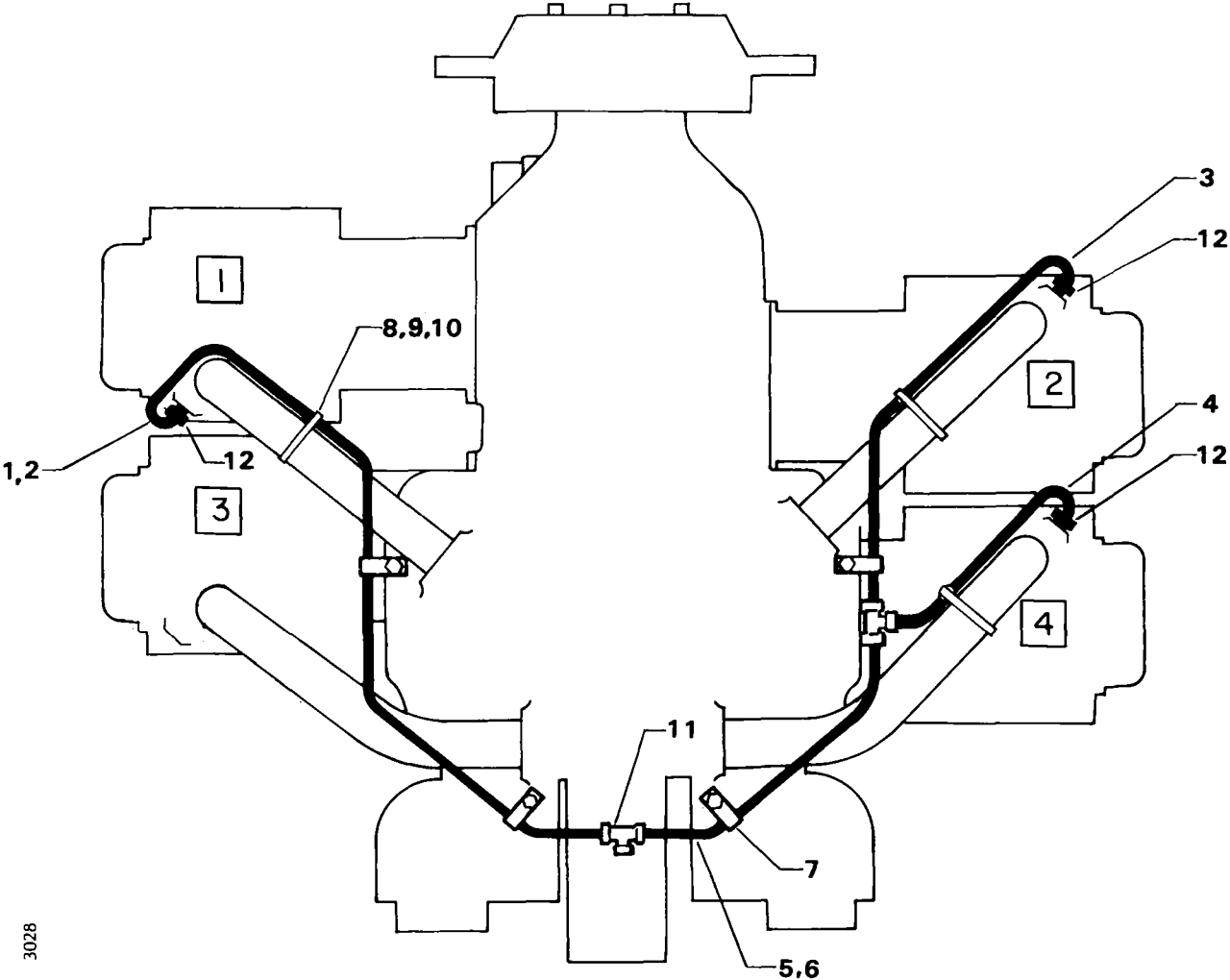


LYCOMING

O, IO, HO, HIO-360 PARTS CATALOG STANDARD CYLINDER FLANGE CRANKCASE MODEL ENGINES

OIL SUMP AND INDUCTION SYSTEM PRIMING SYSTEM

FIG. REF.	PART NUMBER	DESCRIPTION	O N A L L	QUANTITY PER ASSEMBLY																	
				O-360												IO-360		HO-360		HIO-360	
				A 1 A	A 2 A	A 3 A	A 1 C	A 1 D	A 2 D	A 2 E	B 2 A	C 2 A	C 2 C	C 2 D	C 2 A	D 2 B	A 1 A	B 1 A	B 1 B	B 1 A	B 1 B
1	LW-12098-1-284	TUBE ASSY., Primer, cylinder #1		1	1	1		1	1	1	1	1	1	1	1						
2	LW-12098-1-261	TUBE ASSY., Primer, cylinder #1					1						1						1		
3	LW-12098-1-170	TUBE ASSY., Primer, cylinder #2		1	1	1	1	1	1	1	1	1	1	1	1				1		
4	LW-12098-1-116	TUBE ASSY., Primer, cylinder #4		1	1	1	1	1	1	1	1	1	1	1	1				1		
5	LW-12098-0-100	TUBE ASSY., Primer, intermediate		1	1	1		1	1	1	1	1	1	1	1						
6	LW-12098-0-134	TUBE ASSY., Primer, intermediate					1						1						1		
7	LW-16266-25-13	CLAMP		4	4	4	4	4	4	4	4	4	4	4	4				4		
8	LW-18959-175-25	CLAMP, Primer line		3	3	3	3	3	3	3	3	3	3	3	3				3		
9	STD-553	SCREW, No. 6-32 x 1/2 long, round head		3	3	3	3	3	3	3	3	3	3	3	3				3		
10	AN365-632A	NUT, No. 6-32 self-locking		3	3	3	3	3	3	3	3	3	3	3	3				3		
11	STD-853	TEE, Union, 1/8 tube		2	2	2	2	2	2	2	2	2	2	2	2				2		
12	74225	NIPPLE ASSY., Primer		3	3	3	3	3	3	3	3	3	3	3	3				3		



3028

Figure 31. PRIMING SYSTEM

SERVICE KIT SECTION

CYLINDER, PISTON AND RING KIT ASSY.
IO-360-B; HIO-360-B

Part No.	Part Name	Qty.
75407	CYLINDER, PISTON AND RING KIT ASSY.	1
STD-1411	NUT, 1/4-20 plain	1
STD-1925	SCREW, 1/4-20 x 5/8	6
MS13997-3	KEY, Valve, exhaust, rotator type	2
MS13998-3	CAP, Valve stem, exhaust, rotator type	1
1102	PLUG, 1/8-27 NPT, Allen	1
60009	KEY, Valve, intake	2
LW-18661	SEAL, Shroud tube	2
LW-13790	SHAFT, Valve rocker	1
60828	PLUG, Piston pin	2
75906	GASKET, Rocker box	1
61247	COVER, Rocker box	1
LW-11800	SPRING, Valve outer	2
65441	SEAT, Valve spring, lower intake	1
LW-11795	SPRING, Valve, auxiliary	2
LW-10077	SEAT, Valve spring, upper intake	1
LW-14995	SPRING, Shroud tube	1
LW-12272	LOCKPLATE, Shroud tube	1
73857	RING, Piston, oil regulating, expander type	1
LW-14077	PIN, Piston	1
70310	SEAL, Shroud tube	2
71195	BOX, Set-up	1
71481	RING, Oil seal, cylinder base	1
75089	PISTON	1
LW-16475	SEAT, Valve spring, upper exh., rotator type	1
73938	VALVE, Intake	1
74241	RING, Piston, top compression	2
LW-19001	VALVE, Exhaust (rotator type)	1
LW-13323	SEAT, Valve spring, lower exhaust	1
LW-12425	CYLINDER AND HEAD ASSY., Nitrided	1
STD-1215	BOLT	2
LW-11775	PLUG, Piston pin	2
SSP-2272	TAG	1
SSP-2472	TAG	1
LW-12892	THRUST BUTTON	2
LW-18790	ROCKER ASSY., Valve	2

SERVICE KIT SECTION

CYLINDER, PISTON AND RING KIT ASSY.
O-360-A, -C

Part No.	Part Name	Qty.
76243	CYLINDER, PISTON AND RING KIT ASSY.	1
STD-1411	NUT	1
STD-1925	SCREW	6
60009	KEY, Valve	2
LW-18661	SEAL, Shroud tube	2
LW-13790	SHAFT, Valve rocker	1
60828	PLUG, Piston pin	2
75906	GASKET, Rocker box	1
61247	COVER, Rocker box	1
MS13997-3	KEY, Valve	2
MS13998-3	CAP, Valve stem	1
LW-11800	SPRING, Valve outer	2
65441	SEAT, Valve spring, lower	1
LW-11795	SPRING, Valve, auxiliary	2
73938	VALVE, Intake	1
LW-10077	SEAT, Valve spring	1
68513	RING, Piston (compression)	2
LW-14995	SPRING, Shroud tube	1
LW-12272	LOCKPLATE, Shroud tube	1
69345	SPACER, Shroud tube spring	1
69457	RING, Piston, oil regulating	1
LW-16475	SEAT, Valve spring	1
70310	SEAL, Shroud tube	2
LW-12424	CYLINDER AND HEAD ASSY.	1
71481	SEAL, Cylinder base	1
71594	PISTON	1
LW-19001	VALVE, Exhaust	1
LW-14077	PIN, Piston	1
71195	BOX, Set-up	1
LW-13323	SEAT, Valve spring, lower exhaust	1
STD-1215	BOLT	2
SSP-2472	TAG	1
LW-12892	THRUST BUTTON	2
LW-18790	ROCKER ASSY., Valve	2

SERVICE KIT SECTION

CYLINDER, PISTON AND RING KIT ASSY.
O-360-A, -C; HIO-360-B1A, -B1B

Part No.	Part Name	Qty.
76245	CYLINDER, PISTON AND RING KIT ASSY.	1
STD-1411	NUT	1
STD-1925	SCREW	6
60009	KEY, Valve	2
LW-18661	SEAL, Shroud tube	2
LW-13790	SHAFT, Valve rocker	1
60828	PLUG, Piston pin	2
75906	GASKET, Rocker box	1
61247	COVER, Rocker box	1
MS13997-3	KEY, Valve	2
MS13998-3	CAP, Valve stem	1
LW-11800	SPRING, Valve outer	2
65441	SEAT, Valve spring, lower	1
LW-11795	SPRING, Valve, auxiliary	2
73938	VALVE, Intake	1
LW-10077	SEAT, Valve spring	1
74241	RING, Piston (compression)	2
LW-14995	SPRING, Shroud tube	1
LW-12272	LOCKPLATE, Shroud tube	1
73857	RING, Piston, oil regulating	1
LW-16475	SEAT, Valve spring	1
70310	SEAL, Shroud tube	2
LW-12422	CYLINDER AND HEAD ASSY.	1
71481	SEAL, Cylinder base	1
75089	PISTON	1
LW-19001	VALVE, Exhaust	1
LW-14077	PIN, Piston	1
71195	BOX, Set-up	1
LW-13323	SEAT, Valve spring, lower exhaust	1
STD-1215	BOLT	2
SSP-2472	TAG	1
SSP-2272	TAG	1
LW-11775	PLUG, Piston pin	2
LW-12892	THRUST BUTTON	2
LW-18790	ROCKER ASSY., Valve	2

SERVICE KIT SECTION

CYLINDER, PISTON AND RING KIT ASSY.
O-360-B, -D

Part No.	Part Name	Qty.
76249	CYLINDER, PISTON AND RING KIT ASSY.	1
60009	KEY, Valve	2
LW-18661	SEAL, Shroud tube	2
LW-13790	SHAFT, Valve rocker	1
60828	PLUG, Piston pin	2
75906	GASKET, Rocker box cover	1
61247	COVER, Rocker box	1
MS13998-3	CAP, Valve stem	1
LW-11800	SPRING, Valve, outer	2
65441	SEAT, Valve spring, lower	1
LW-11795	SPRING, Valve, auxiliary	2
LW-10077	SEAT, Valve spring	1
LW-14995	SPRING, Shroud tube	1
LW-12272	LOCKPLATE, Shroud tube	1
73857	RING, Piston, oil regulating, expander type	1
LW-16475	SEAT, Valve spring	1
LW-19001	VALVE, Exhaust, rotator type	1
LW-14077	PIN, Piston	1
70310	SEAL, Shroud tube	2
71195	BOX, Set-up	1
71481	SEAL, Cylinder base	1
MS13997-3	KEY, Valve	2
73938	VALVE, Intake	1
LW-12422	CYLINDER AND HEAD ASSY.	1
75413	PISTON	1
74241	RING, Piston, top compression	2
STD-1411	NUT, Plain, 1/4-20	1
STD-1925	SCREW	6
LW-13323	SEAT, Valve spring, lower exhaust	1
STD-1215	BOLT	2
SSP-2472	TAG	1
SSP-2272	TAG	1
LW-11775	PLUG, Piston pin	2
LW-12892	THRUST BUTTON	2

SERVICE KIT SECTION

CYLINDER, PISTON AND RING KIT ASSY.
O-360-B, -D

Part No.	Part Name	Qty.
76694	CYLINDER, PISTON AND RING KIT ASSY.	1
MS13997-3	KEY, Valve	2
MS13998-3	CAP, Valve stem	1
STD-1411	NUT	1
STD-1925	SCREW	6
60009	KEY, Valve	2
LW-18661	SEAL, Shroud	2
LW-13790	SHAFT, Valve rocker	1
60828	PLUG, Piston pin	2
61247	COVER, Rocker box	1
LW-11800	SPRING, Valve, outer	2
65441	SEAT, Valve spring, lower	1
LW-11795	SPRING, Valve, auxiliary	2
LW-10077	SEAT, Valve spring	1
LW-14995	SPRING, Shroud tube	1
LW-12272	LOCKPLATE, Shroud tube	1
LW-14077	PIN, Piston	1
70310	SEAL, Shroud tube	2
71195	BOX, Set-up	1
71481	RING, Oil seal, cylinder base	1
LW-16475	SEAT, Valve spring	1
73857	RING, Piston, oil regulating, expander type	1
73938	VALVE, Intake	1
LW-19001	VALVE, Exhaust, rotator type	1
LW-13323	SEAT, Valve spring, lower exhaust	1
74989	RING, Piston, top compression	2
LW-12424	CYLINDER AND HEAD ASSY.	1
75413	PISTON	1
75906	GASKET, Rocker box cover	1
STD-1215	BOLT	2
SSP-2472	TAG	1
LW-12892	THRUST BUTTON	2
LW-18790	ROCKER ASSY., Valve	2

SERVICE KIT SECTION

CYLINDER, PISTON AND RING KIT ASSY.
O-360-A, -C

Part No.	Part Name	Qty.
77222	CYLINDER, PISTON AND RING KIT ASSY.	1
STD-1411	NUT	1
STD-1925	SCREW	6
60009	KEY, Valve	2
LW-18661	SEAL, Shroud	2
LW-13790	SHAFT, Valve rocker	1
60828	PLUG, Piston pin	2
75906	GASKET, Rocker box	1
61247	COVER, Rocker box	1
MS13997-3	KEY, Valve	2
MS13998-3	CAP, Valve stem	1
LW-11800	SPRING, Valve, outer	2
65441	SEAT, Valve spring, lower	1
LW-11795	SPRING, Valve, auxiliary	2
73938	VALVE, Intake	1
LW-10077	SEAT, Valve spring	1
74989	RING, Piston (compression)	2
LW-14995	SPRING, Shroud tube	1
LW-12272	LOCKPLATE, Shroud tube	1
73857	RING, Piston, oil regulating	1
LW-16475	SEAT, Valve spring	1
70310	SEAL, Shroud tube	2
LW-12424	CYLINDER AND HEAD ASSY.	1
71481	SEAL, Cylinder base	1
75089	PISTON	1
LW-19001	VALVE, Exhaust	1
LW-14077	PIN, Piston	1
71195	BOX, Set-up	1
LW-13323	SEAT, Valve spring, lower exhaust	1
STD-1215	BOLT	2
LW-11775	PLUG, Piston pin	2
SSP-2272	TAG	1
SSP-2472	TAG	1
LW-12892	THRUST BUTTON	2
LW-18790	ROCKER ASSY., Valve	2

SERVICE KIT SECTION

CYLINDER, PISTON AND RING KIT ASSY.
IO-360-A1A; HIO-360-A1A

Part No.	Part Name	Qty.
LW-19132	CYLINDER, PISTON AND RING KIT ASSY.	1
MS13997-3	KEY, Valve, rotator type	2
MS13998-3	CAP, Valve stem	1
SSP-2272	TAG	1
STD-1215	BOLT	2
STD-1411	NUT, 1/4-20 plain	4
STD-1925	SCREW, Fill. hd., self-lock, 1/4-20 x 5/8 long	6
60828	PLUG, Piston pin	2
62388	CAP, Valve stem	1
72710	COVER	1
66732	GASKET	2
67193	GASKET, Rocker box cover	1
68795	COVER ASSY. Rocker box	1
69457	RING, Piston, oil regulating, expander type	1
69532	SEAT, Upper spring	1
71195	BOX, Set-up	1
71265	ROCKER ASSY., Exhaust valve	1
71266	ROCKER ASSY., Intake valve	1
71481	RING, Oil seal, cylinder base	1
71549	WASHER, Valve rocker thrust	2
72050	KEY, Valve	2
72626	SHAFT, Valve rocker	2
73264	PISTON, Compression ratio 8.7:1	1
74241	RING, Piston compression	3
LW-11775	PLUG, Piston pin	2
LW-11796	SPRING, Valve outer	2
LW-11797	SPRING, Valve auxiliary	2
LW-12949	VALVE, Intake, rotator	1
LW-13321	SEAT, Valve spring, lower	1
LW-13322	SEAT, Valve spring, lower	1
LW-14077	PIN, Piston	1
LW-16475	SEAT, Valve spring, rotator type	1
LW-16740	VALVE, Exhaust, rotator type	1
LW-18661	SEAL, Shroud tube	4
LW-19046	CYLINDER ASSY., Nitrided	1

SERVICE KIT SECTION

CYLINDER, PISTON AND RING KIT ASSY.
IO-360-A1A; HIO-360-A1A

Part No.	Part Name	Qty.
LW-19133	CYLINDER, PISTON AND RING KIT ASSY.	1
MS13997-3	KEY, Valve, rotator type	2
MS13998-3	CAP, Valve stem	1
SSP-2272	TAG	1
STD-1215	BOLT	2
STD-1411	NUT, 1/4-20 plain	4
STD-1925	SCREW, Fill. hd., self-lock, 1/4-20 x 5/8 long	6
60828	PLUG, Piston pin	2
62388	CAP, Valve stem	1
72710	COVER	2
66732	GASKET	2
67193	GASKET, Rocker box cover	1
68795	COVER ASSY. Rocker box	1
69532	SEAT, Valve spring, upper	1
71195	BOX, Set-up	1
71265	ROCKER ASSY., Exhaust valve	1
71266	ROCKER ASSY., Intake valve	1
71481	RING, Oil seal, cylinder base	1
71549	WASHER, Valve rocker thrust	2
72050	KEY, Valve	2
72626	SHAFT, Valve rocker	2
73857	RING, Piston, oil regulating, expander type	1
74241	RING, Piston compression	2
LW-10207-S	PISTON	1
LW-11775	PLUG, Piston pin	2
LW-11796	SPRING, Valve outer	2
LW-11797	SPRING, Valve auxiliary	2
LW-12949	VALVE, Intake, rotator	1
LW-13321	SEAT, Valve spring, lower	1
LW-13322	SEAT, Valve spring, lower	1
LW-14077	PIN, Piston	1
LW-16475	SEAT, Valve spring, rotator type	1
LW-16740	VALVE, Exhaust, rotator type	1
LW-18661	SEAL, Shroud tube	4
LW-19046	CYLINDER ASSY., Nitrided	1

SERVICE KIT SECTION

CYLINDER, PISTON AND RING KIT ASSY.
IO-360-A1A

Part No.	Part Name	Qty.
LW-19146	CYLINDER, PISTON AND RING KIT ASSY.	1
MS13997-3	KEY, Valve, rotator type	2
MS13998-3	CAP, Valve stem, exhaust	1
SSP-2272	TAG	1
STD-1215	BOLT	2
STD-1411	NUT	4
STD-1925	SCREW, Fill. hd., self-locking	6
60828	PLUG, Piston pin	2
62388	CAP	1
72710	COVER, Valve rocker shaft	2
66732	GASKET, Valve rocker shaft	2
67193	GASKET, Rocker box cover	1
68795	COVER ASSY. Rocker assy.	1
69457	RING, Oil regulating	1
69532	SEAT, Valve spring	1
71195	BOX, Set-up	1
71265	ROCKER ASSY., Exhaust valve	1
71266	ROCKER ASSY., Intake valve	1
71481	RING, Oil seal	1
71549	WASHER, Valve rocker	2
72050	KEY, Valve	2
72626	SHAFT, Valve rocker	2
73264	PISTON	1
74241	RING, Piston	3
LW-11775	PLUG, Piston	2
LW-11796	SPRING, Valve outer	2
LW-11797	SPRING, Valve auxiliary	2
LW-13321	SEAT, Valve spring, lower	1
LW-13322	SEAT, Valve spring, lower	1
LW-13530	CYLINDER ASSY.	1
LW-13622	VALVE, Intake	1
LW-14077	PIN, Piston	1
LW-16475	SEAT, Valve spring, rotator type	1
LW-16740	VALVE, Exhaust	1
LW-18661	SEAL, Shroud tube	4

SERVICE KIT SECTION

CYLINDER, PISTON AND RING KIT ASSY.
IO-360-A1A

Part No.	Part Name	Qty.
LW-19147	CYLINDER, PISTON AND RING KIT ASSY.	1
MS13997-3	KEY, Valve, rotator type	2
MS13998-3	CAP, Valve stem	1
SSP-2272	TAG	1
STD-1215	BOLT	2
STD-1411	NUT	4
STD-1925	SCREW	6
60828	PLUG, Piston pin	2
62388	CAP	1
72710	COVER, Valve rocker shaft	2
66732	GASKET, Valve rocker shaft cover	2
67193	GASKET, Rocker box cover	1
68795	COVER ASSY. Rocker box	1
69532	SEAT, Valve spring	1
71195	BOX, Set-up	1
71265	ROCKER ASSY., Exhaust valve	1
71266	ROCKER ASSY., Intake valve	1
71481	RING, Oil seal	1
71549	WASHER, Valve rocker	2
72050	KEY, Valve	2
72626	SHAFT, Valve rocker	2
73857	RING, Oil regulating	1
74241	RING, Piston (chrome)	2
LW-10207-S	PISTON	1
LW-11775	PLUG, Piston pin	2
LW-11796	SPRING, Valve outer	2
LW-11797	SPRING, Valve auxiliary	2
LW-13321	SEAT, Valve spring, lower	1
LW-13322	SEAT, Valve spring, lower	1
LW-13530	CYLINDER ASSY.	1
LW-13622	VALVE, Intake	1
LW-14077	PIN, Piston	1
LW-16475	SEAT, Valve spring, rotator type	1
LW-16740	VALVE, Exhaust	1
LW-18661	SEAL, Shroud tube	4

SERVICE KIT SECTION

SEAL AND GASKET SET

O-360-A, -B, -C, -D; IO-360-B; HO-360-A1A, -B1A, -B1B; HIO-360-B

Part No.	Part Name	Qty.
75439	SEAL AND GASKET SET	1
AN901-8A	GASKET	1
STD-111	GASKET, Annular	1
STD-2217	SEAL, Oil	1
STD-213	SEAL, Oil (fuel pump drive)	1
STD-294	GASKET, Annular	2
STD-1045	GASKET, Annular	1
1691-C	GASKET, (fuel pump pad)	1
8313	GASKET, Vacuum pump	1
60096	GASKET, Fuel pump	1
LW-18639	LOCKPLATE, Crankshaft gear	1
LW-14260	SEAL, Tachometer	1
61173	GASKET, Oil pressure housing	1
61183	GASKET, Accessory adapter	1
61523	BOX, Set-up	1
62224	GASKET, Magneto adapter	3
LW-18661	SEAL, Shroud tube	8
65321	GASKET, Exhaust flange	4
66224	GASKET, Carburetor	2
68315	GASKET, Accessory drive adapter	1
LW-13353	GASKET, Oil sump	1
69164	GASKET, Fuel pump adapter	1
69345	SPACER	4
69551	GASKET, Accessory pad cover	1
70310	SEAL, Shroud tube	8
71481	RING, Oil seal	4
71973	GASKET, Intake flange	4
72053	GASKET, Governor drive pad	2
72059	GASKET	1
72075	SEAL, Oil	6
72078	LOCKPLATE, Cam gear	2
72091	RING, Oil seal	2
73383	LOCKPLATE	2
73817	LOCKPLATE, Crk'shaft idler gear shaft	2
73818	GASKET, Accessory housing	1
74065	RING, Oil level gage seal	1
74068	RING, Oil level gage seal	1
75906	GASKET, Rocker box cover	4
76510	GASKET	1
76940	SEAL, Crankshaft oil	1
LW-13792	SEAL, Crankshaft oil	1
LW-12272	LOCKPLATE, Shroud tube	4
LW-12681	GASKET, Magneto	2
LW-12795	GASKET	1
LW-14995	SPRING	4
LW-10332	LOCKPLATE	1
70455	GASKET	1
STD-1763	PALNUT	4
72220	GASKET	1
72312	RING, Oil seal	1
77154	GASKET, Carburetor	1
77611	GASKET, Exhaust flange	4

SERVICE KIT SECTION

SEAL AND GASKET SET
IO-360-A and HIO-360-A, -C

Part No.	Part Name	Qty.
75441	SEAL AND GASKET SET	1
AN901-8A	GASKET	1
STD-111	GASKET, Annular	1
STD-2217	SEAL, Oil	1
STD-213	SEAL, Oil	1
STD-294	GASKET, Annular	1
STD-1045	GASKET, Annular	1
1691-C	GASKET, Fuel pump	2
8313	GASKET, Vacuum pump	1
60096	GASKET	1
LW-18639	LOCKPLATE, Crankshaft gear	1
LW-14260	SEAL, Tachometer drive	1
61173	GASKET, Oil pressure housing	1
61183	GASKET, Accessory adapter	1
61523	BOX, Set-up	1
62224	GASKET, Magneto	3
LW-18661	SEAL, Shroud tube	16
66224	GASKET, Carburetor	3
66732	GASKET, Valve rocker shaft cover	8
67193	GASKET, Rocker box cover	4
68129	GASKET	1
68315	GASKET, Accessory drive adapter	1
LW-13353	GASKET, Oil sump	1
69164	GASKET, Fuel pump adapter	1
69551	GASKET, Accessory drive adapter	1
71481	SEAL, Cylinder base	4
71973	GASKET	4
72053	GASKET, Governor	1
72075	SEAL, Oil	6
72078	LOCKPLATE, Camshaft gear	2
72091	RING, Oil seal	2
73032	GASKET, Injector elbow	1
73383	LOCKPLATE	2
75118	GASKET, Exhaust flange	8
73817	LOCKPLATE, Crk'shaft idler gear shaft	2
73818	GASKET, Accessory housing	1
74068	RING, Oil level gage seal	1
74712	RING, Oil seal	4
76510	GASKET	1
LW-12795	GASKET	1
76940	SEAL, Crankshaft oil	1
77569	RING, Oil seal	4
LW-12681	GASKET	2
LW-13792	SEAL, Crankshaft oil	1
72059	GASKET	1
70455	GASKET	1
75906	GASKET	4
74065	RING, Oil level gage	1
72829	LOCKPLATE	1

NUMERICAL INDEX

PART NO.	PART NAME	PAGE NO.	PART NO.	PART NAME	PAGE NO.
AN365-420C	Nut	6-1	LW-12596	Bolt	3-3
AN365-632A	Nut	4-3	LW-12688	Seat	3-1
AN365-632A	Nut	6-11	LW-12706	Adapter	4-1
AN500-416-12	Screw	4-3	LW-12754	Sump Assy.	6-1
AN500-416-12	Screw	6-10	LW-12783-6-112	Hose Assy.	6-8
AN6-21	Bolt	1-10	LW-12783-6-254	Hose	6-9
AN6-32	Bolt	5-1	LW-12784-4-102	Hose Assy.	6-8
AN6-34A	Bolt	1-3	LW-12784-4-147	Hose Assy.	6-10
AN777-8D	Elbow	2-8	LW-12784-4-172	Hose	6-9
AN791-2	Elbow	6-5	LW-12784-4-183	Hose Assy.	6-10
AN837-4	Elbow	6-8	LW-12798-4S-222	Hose	6-8
AN901-8A	Gasket	2-8	LW-12892	Thrust Button	3-7
AN924-4	Nut	6-9	LW-12949	Valve	3-5
AN924-4	Nut	6-9	LW-13077	Spring	3-5
AN931-12S17	Grommet	3-10	LW-13183-6S-161	Hose	6-8
LW-10077	Seat	3-5	LW-13192-4S-334	Hose Assy.	6-8
LW-10124	Bearing	1-3	LW-13321	Seat	3-5
LW-10207	Piston	3-3	LW-13322	Seat	3-5
LW-10647	Dowel	1-1	LW-13323	Seat	3-5
LW-10799	Spacer	6-5	LW-13353	Gasket	6-1
LW-10826	Sump Assy.	6-1	LW-13521	Bearing	3-3
LW-11020	Bearing	1-3	LW-13522	Bearing	3-3
LW-11485	Tube	3-5	LW-13530	Cylinder & Head Assy.	3-1
LW-11750	Connecting Rod Assy.	3-3	LW-13622	Valve	3-5
LW-11795	Spring	3-5	LW-13790	Shaft	3-7
LW-11796	Spring	3-5	LW-13792	Seat	1-3
LW-11797	Spring	3-5	LW-13884	Bearing	1-3
LW-11800	Spring	3-5	LW-13923	Bushing	3-3
LW-12083	Switch	5-5	LW-13937	Connecting Rod Assy.	3-3
LW-12098-0-100	Tube Assy.	6-11	LW-13939	Clamp	4-3
LW-12098-0-134	Tube Assy.	6-11	LW-14060	Clip	4-3
LW-12098-0-140	Tube Assy.	6-9	LW-14078	Pin	3-3
LW-12098-0-170	Tube Assy.	6-9	LW-14260	Seal	2-5
LW-12098-0-200	Tube Assy.	6-9	LW-14491-S	Crankcase Assy.	1-1
LW-12098-1-116	Tube Assy.	6-11	LW-14571-S	Crankcase Assy.	1-1
LW-12098-1-170	Tube Assy.	6-11	LW-14575-S	Crankcase Assy.	1-1
LW-12098-1-261	Tube Assy.	6-11	LW-14750	Gage Assy.	1-3
LW-12098-1-284	Tube Assy.	6-11	LW-14757	Gage Assy.	1-3
LW-12098-2-240	Tube Assy.	6-9	LW-14758	Gage Assy.	1-3
LW-12098-3-310	Tube Assy.	6-9	LW-14759	Gage Assy.	1-3
LW-12098-3-320	Tube Assy.	6-9	LW-14760	Gage Assy.	1-3
LW-12098-4-320	Tube Assy.	6-9	LW-14780	Gage Assy.	1-3
LW-12098-4-350	Tube Assy.	6-9	LW-14954	Bearing	3-3
LW-12186	Nut	3-3	LW-14995	Spring	3-5
LW-12272	Lockplate	3-5	LW-15472	Fuel Pump	2-13
LW-12422	Cylinder & Head Assy.	3-1	LW-15473	Fuel Pump	2-13
LW-12424	Cylinder & Head Assy.	3-1	LW-15571	Starter	5-5
LW-12425	Cylinder & Head Assy.	3-1	LW-15572	Starter	5-5
LW-12545	Plug	6-1	LW-15592-5-05	Clamp	3-10
LW-12595	Bolt	3-3	LW-15592-8-12	Clamp	6-10

NUMERICAL INDEX (Cont.)

PART NO.	PART NAME	PAGE NO.	PART NO.	PART NAME	PAGE NO.
LW-15592-8-28	Clamp	6-3	LW-M-2404	Harness Assy.	4-3
LW-157208	Kit	4-1	M-1985-48	Lead Assy.	4-3
LW-157209	Kit	4-1	MS13997-3	Key	3-5
LW-16047	Bearing	1-3	MS13998-3	Cap	3-5
LW-16048	Bearing	3-3	MS16625-1081	Ring	1-5
LW-16064	Support Assy.	1-3	MS20822-4	Elbow	6-5
LW-16266-10-13	Clamp	6-9	MS20822-5-4D	Elbow	2-3
LW-16266-10-75	Clamp	6-9	MS20822-6	Elbow	2-3
LW-16266-25-13	Clamp	6-11	MS20823-6D	Elbow	3-1
LW-16266-25-31	Clamp	2-3	MS29512-4	Seal	6-5
LW-16266-25-63	Clamp	6-9	MS35489-17	Grommet	6-10
LW-163005-2	Magneto	4-1	STD-8	Washer	1-10
LW-163005-11	Magneto	4-1	STD-8	Washer	2-3
LW-163045-3	Magneto	4-1	STD-8	Washer	2-5
LW-16475	Seat	3-5	STD-8	Washer	2-7
LW-16562	Nipple	6-8	STD-8	Washer	2-9
LW-16740	Valve	3-5	STD-8	Washer	2-10
LW-16948	Tube Assy.	6-9	STD-8	Washer	4-3
LW-17160	Crankshaft & Plug Assy.	1-5	STD-8	Washer	5-1
LW-17161	Crankshaft & Plug Assy.	1-5	STD-8	Washer	5-2
LW-17162	Crankshaft & Plug Assy.	1-5	STD-8	Washer	6-1
LW-17166	Crankshaft & Plug Assy.	1-5	STD-8	Washer	6-3
LW-17173	Crankshaft & Plug Assy.	1-5	STD-8	Washer	6-10
LW-18023	Switch	5-5	STD-33	Washer	1-3
LW-18109	Impeller	2-5	STD-33	Washer	1-10
LW-18110	Impeller Assy.	2-5	STD-33	Washer	2-13
LW-18265	Nozzle	6-5	STD-33	Washer	5-1
LW-18639	Lockplate	1-5	STD-35	Washer	1-8
LW-18661	Seal	3-5	STD-35	Washer	2-5
LW-18667	Pin	1-5	STD-35	Washer	2-13
LW-18790	Rocker Assy.	3-7	STD-35	Washer	3-8
LW-18837	Camshaft Assy.	1-5	STD-35	Washer	5-1
LW-18840	Camshaft Assy.	1-5	STD-35	Washer	5-5
LW-18959-175-25	Clamp	4-3	STD-35	Washer	6-5
LW-18959-175-25	Clamp	6-11	STD-35	Washer	6-7
LW-18989	Starter	5-5	STD-36	Locknut	6-7
LW-19001	Valve	3-5	STD-68	Pin	5-1
LW-19046	Cylinder & Head Assy.	3-1	STD-82	Screw	6-5
LW-19332	Connecting Rod Assy.	3-3	STD-91	Plug	6-1
LW-25-0.94	Bolt	2-5	STD-111	Gasket	6-1
LW-25-1.50	Bolt	2-5	STD-148	Nipple	6-5
LW-31H-.75	Bolt	5-1	STD-160	Washer	1-10
LW-31H-.75	Bolt	5-2	STD-160	Washer	2-5
LW-38-.75	Bolt	2-13	STD-160	Washer	2-7
LW-51360-29	Magneto	4-1	STD-160	Washer	2-9
LW-51360-37	Magneto	4-1	STD-160	Washer	2-10
LW-52305-1	Kit Assy.	4-1	STD-160	Washer	3-7
LW-620029-6	Clamp	6-9	STD-160	Washer	4-3
LW-M-2375	Plate	4-3	STD-160	Washer	5-1
LW-M-2403	Harness Assy.	4-3	STD-160	Washer	5-2

NUMERICAL INDEX (Cont.)

PART NO.	PART NAME	PAGE NO.	PART NO.	PART NAME	PAGE NO.
STD-160	Washer	6-1	STD-1215	Bolt	5-1
STD-160	Washer	6-3	STD-1215	Bolt	5-2
STD-160	Washer	6-5	STD-1215	Bolt	6-1
STD-160	Washer	6-10	STD-1215	Bolt	6-3
STD-213	Seal	2-13	STD-1221	Ring	1-8
STD-251	Washer	3-10	STD-1339	Plug	2-5
STD-251	Washer	6-5	STD-1339	Plug	2-10
STD-294	Gasket	2-7	STD-1409	Nut	1-10
STD-294	Gasket	2-8	STD-1410	Nut	1-8
STD-425	Washer	1-1	STD-1410	Nut	2-13
STD-475	Washer	6-9	STD-1410	Nut	3-8
STD-475	Washer	1-8	STD-1410	Nut	4-1
STD-475	Washer	2-13	STD-1410	Nut	5-5
STD-475	Washer	3-8	STD-1410	Nut	6-5
STD-475	Washer	4-1	STD-1410	Nut	6-7
STD-475	Washer	5-5	STD-1411	Nut	1-10
STD-475	Washer	6-5	STD-1411	Nut	2-7
STD-488	Washer	6-10	STD-1411	Nut	2-9
STD-514	Dowel	1-1	STD-1411	Nut	2-10
STD-548	Seal	2-10	STD-1411	Nut	3-5
STD-551	Plug	6-3	STD-1411	Nut	3-7
STD-553	Screw	4-3	STD-1411	Nut	4-3
STD-553	Screw	6-11	STD-1411	Nut	5-1
STD-557	Dowel	1-1	STD-1411	Nut	5-2
STD-596	Nut	1-3	STD-1411	Nut	6-1
STD-670	Nut	3-10	STD-1414	Bolt	1-10
STD-670	Nut	6-9	STD-1414	Bolt	5-2
STD-678	Washer	1-3	STD-1416	Bolt	1-10
STD-678	Washer	2-13	STD-1419	Bolt	5-2
STD-684	Nipple	3-10	STD-1420	Nut	2-5
STD-692	Screw	3-10	STD-1420	Nut	5-1
STD-692	Screw	6-9	STD-1420	Nut	5-5
STD-696	Washer	2-10	STD-1592	Bolt	2-13
STD-705	Screw	1-7	STD-1623	Insert	1-1
STD-705	Screw	2-5	STD-1646	Bolt	1-10
STD-713	Pin	5-1	STD-1686	Screw	3-10
STD-783	Plug	1-8	STD-1727	Washer	4-1
STD-784	Plug	2-1	STD-1727	Washer	5-1
STD-784	Plug	2-8	STD-1774	Pin	1-8
STD-853	Tee	6-11	STD-1774	Pin	2-9
STD-860	Screw	6-9	STD-1774	Pin	2-13
STD-872	Nut	1-10	STD-1821	Hose	3-10
STD-872	Nut	5-1	STD-1834	Bolt	5-1
STD-921	Screw	6-9	STD-1835	Bolt	5-1
STD-938	Dowel	2-10	STD-1856	Screw	2-7
STD-1045	Gasket	1-1	STD-1861	Bolt	5-1
STD-1065	Dowel	1-5	STD-1862	Bolt	5-1
STD-1204	Bolt	6-1	STD-1864	Nut	5-1
STD-1211	Plug	1-5	STD-1868	Bolt	5-1
STD-1215	Bolt	2-10	STD-1872	Insert	3-1

NUMERICAL INDEX (Cont.)

PART NO.	PART NAME	PAGE NO.	PART NO.	PART NAME	PAGE NO.
STD-1882	Screw	2-13	1102	Plug	3-7
STD-1889	Bolt	5-5	1102	Plug	6-1
STD-1897	Screw	6-5	1102	Plug	6-5
STD-1907	Screw	6-5	1182-B3	Spark Plug	4-3
STD-1908	Washer	6-5	1182-J3	Spark Plug	4-3
STD-1916	Screw	3-7	1182-Q5	Spark Plug	4-3
STD-1925	Screw	3-7	1691-C	Gasket	2-13
STD-2072	"O" Ring	2-10	1691-C	Gasket	6-5
STD-2084	Bolt	1-10	8313	Gasket	2-9
STD-2084	Bolt	5-1	8313	Gasket	2-10
STD-2084	Bolt	5-2	60009	Key	3-5
STD-2156	Bolt	5-5	60096	Gasket	2-13
STD-2180	Hose	3-10	60430	Cover	2-9
STD-2213	Screw	1-5	60430	Cover	2-10
STD-2217	Oil Seal	2-9	60431	Cover	2-13
STD-2217	Seal	2-10	60733	Shim	5-1
25C-8	Stud	3-1	60803	Strap	1-3
25C-9	Stud	3-1	60828	Plug	3-3
25C-11	Stud	2-1	60886	Belt	5-4
25C-12	Stud	2-10	61084	Spring	1-1
25C-16	Stud	2-10	61098	Adapter Assy.	2-9
25C-22	Stud	2-1	61155	Gear	1-5
25C-29	Stud	2-10	61166	Thrust Button	2-10
25C-31	Stud	2-1	61166	Thrust Button	2-13
31C-12	Stud	1-1	61173	Gasket	2-7
31C-12	Stud	2-1	61174	Shaft	2-5
31C-12	Stud	3-1	61183	Gasket	2-9
31C-12	Stud	6-1	61183	Gasket	2-10
31C-13	Stud	1-1	61247	Cover	3-7
31C-13	Stud	2-1	61260	Flange	3-8
31C-14	Stud	1-8	61400	Stud	2-1
31C-14	Stud	6-1	61400	Stud	6-1
31C-15	Stud	6-1	61503	Sleeve	3-5
31C-16	Stud	1-8	61510	Plug	1-5
31C-17	Stud	6-1	61544	Plunger	1-7
31C-18	Stud	2-1	61665	Gear	4-1
31C-19	Stud	2-1	61681	Guide	3-1
31C-25	Stud	6-1	62224	Gasket	4-1
31C-27	Stud	6-1	62388	Cap	3-5
31CD-12	Stud	1-1	62415	Plunger	2-8
31CD-17	Stud	2-1	62417	Plug	2-8
38-13	Stud	1-1	62817	Screen Assy.	2-7
50-15	Stud	1-1	62922	Seal	3-5
1028-B	Ball	1-1	65007	Retainer	1-1
1102	Plug	1-1	65098	Cover	2-13
1102	Plug	1-5	65321	Gasket	3-8
1102	Plug	1-8	65441	Seat	3-5
1102	Plug	2-1	65614	Plug	3-10
1102	Plug	3-1	66145	Dowel	2-10
1102	Plug	3-5	66224	Gasket	6-5

NUMERICAL INDEX (Cont.)

PART NO.	PART NAME	PAGE NO.	PART NO.	PART NAME	PAGE NO.
66224	Gasket	6-7	71011	Tube Assy.	2-3
66610	Bushing	3-1	71023	Brace	2-10
66670	Bushing	3-1	71098	Carburetor	6-7
66713	Guide	3-1	71133	Nut	3-7
66728	Washer	3-5	71134	Nut	3-8
66732	Gasket	3-7	71140	Fitting	2-8
66734	Stud	1-1	71265	Rocker Assy.	3-7
66796	Insert	3-1	71266	Rocker Assy.	3-7
67114	Bushing	3-7	71481	Ring	3-7
67193	Gasket	3-7	71549	Washer	3-7
67453	Dowel	1-1	71579	Belt	5-4
68315	Gasket	1-8	71596	Washer	1-8
68317	Shaftgear	1-8	71596	Washer	2-9
68510	Stud	3-1	71596	Washer	2-10
68532	Tube Assy.	2-3	71600	Adapter	2-8
68593	Spacer	2-9	71610	Hook	3-10
68749	Shaft	1-7	71611	Retainer	3-10
68759	Tube Assy.	3-10	71612	Tube Assy.	2-3
68760	Tube Assy.	3-10	71620	Bolt	2-8
68761	Tube Assy.	3-10	71622	Tube Assy.	2-3
68795	Cover Assy.	3-7	71623	Washer	2-8
68870	Bracket	5-1	71710	Carburetor	6-7
69106	Cover	1-8	71712	Pipe	6-3
69113	Bracket	5-1	71713	Pipe	6-3
69159	Adapter Assy.	2-13	71894	Seat	3-1
69164	Gasket	2-13	71973	Gasket	6-3
69235	Seat	3-5	72000	Belt	5-4
69316	Gear	2-10	72050	Key	3-5
69318	Shaft	2-10	72053	Gasket	1-8
69319	Gear Assy.	2-10	72057	Seat	3-1
69335	Plug	6-1	72058	Seat	3-1
69436	Spring	2-8	72059	Gasket	1-3
69452	Bracket	5-1	72060	Bushing	1-5
69510	Housing	2-7	72061	Bushing	1-5
69531	Plate	3-7	72062	Bushing	1-5
69551	Gasket	1-8	72075	Seal	1-3
69602	Connection	6-1	72091	Ring	1-3
69603	Hose	6-3	72152	Baffle Assy.	3-10
69675	Connector	2-8	72198	Plug	3-3
69679	Stud	1-1	72212	Seat	3-1
69720	Gasket	2-10	72230	Shaft	2-5
69725	Adapter Assy.	2-10	72231	Gear Assy.	1-7
69730	Gear Assy.	2-10	72255	Shroud Tube Assy.	3-5
69731	Bushing	2-10	72270	Belt	5-4
69742	Cover Assy.	2-10	72304	Bracket	5-1
69951	Strut	5-1	72321	Strut	5-1
70310	Seal	3-5	72343	Stabilizer	3-1
70347	Dual Drive Assy.	2-10	72344	Stabilizer	3-1
70484	Screen	6-1	72351	Screw	4-3
70485	Pipe	6-3	72377	Elbow	6-8

NUMERICAL INDEX (Cont.)

PART NO.	PART NAME	PAGE NO.	PART NO.	PART NAME	PAGE NO.
72378	Cover	1-8	73998	Ring	3-3
72413	Fitting	2-8	74065	Ring	1-3
72495	Gear	4-1	74068	Ring	1-3
72566	Gear	1-3	74070	Elbow	2-3
72626	Shaft	3-7	74070	Elbow	6-8
72702	Tube Assy.	3-10	74139	Adapter Assy.	6-3
72703	Tube Assy.	3-10	74143	Nozzle	6-8
72710	Cover	3-7	74168	Tube	1-3
72829	Lockplate	2-5	74225	Nipple Assy.	6-11
72834	Cover	3-10	74230	Guide	3-1
72877	Body	1-3	74241	Ring	3-3
72970	Gear Assy.	2-9	74248	Bushing	1-5
73027	Tube Assy.	3-10	74249	Bushing	1-5
73032	Gasket	6-5	74323	Strut	5-2
73132	Carburetor	6-7	74325	Link	5-1
73136	Bracket	6-9	74326	Bracket	6-5
73152	Bracket	6-9	74327	Plate	3-7
73158	Shaftgear Assy.	2-13	74384	Sump Assy.	6-1
73161	Spacer	6-5	74428	Tube Assy.	3-10
73187	Hose	6-10	74556	Fuel Injector	6-5
73189	Gasket	6-10	74597	Bracket	6-5
73194	Shroud	6-10	74598	Bracket	6-5
73195	Shroud	6-10	74637	Bushing	3-7
73231	Gear Assy.	2-10	74673	Ring	3-3
73346	Flange	6-3	74711	Plug	1-5
73392	Carburetor	6-7	74718	Baffle Assy.	3-10
73434	Rod Assy.	3-7	74719	Baffle Assy.	3-10
73435	Rod Assy.	3-7	74753	Nipple Assy.	6-7
73436	Rod Assy.	3-7	74807	Tube Assy.	2-3
73455	Rod Assy.	3-7	74808	Tube Assy.	3-10
73456	Rod Assy.	3-7	74821	Bracket	6-5
73457	Rod Assy.	3-7	74842	Spacer	6-5
73458	Rod Assy.	3-7	74849	Elbow Assy.	6-5
73555	Rod Assy.	3-7	74989	Ring	3-3
73556	Rod Assy.	3-7	74996	Gear Assy.	1-7
73557	Rod Assy.	3-7	75030	Support Assy.	1-3
73558	Rod Assy.	3-7	75061	Bolt	3-3
73683	Gear	4-1	75072	Gear Assy.	1-7
73772	Nozzle Assy.	1-1	75084	Tube Assy.	3-10
73817	Lockplate	1-7	75089	Piston	3-3
73818	Gasket	2-1	75095	Divider	6-5
73839	Fuel Injector	6-5	75118	Gasket	3-8
73843	Clamp	6-9	75149	Tube Assy.	3-10
73857	Ring	3-3	75153	Adapter Assy.	1-8
73868	Hose	6-10	75221	Support Assy.	1-3
73937	Fuel Injector	6-5	75279	Manifold Assy.	6-5
73938	Valve	3-5	75280	Manifold Assy.	6-5
73966	Spacer	3-7	75282	Manifold Assy.	6-5
73966	Spacer	6-5	75302	Dowel	1-1
73975	Baffle Assy.	3-10	75413	Piston	3-3

NUMERICAL INDEX (Cont.)

PART NO.	PART NAME	PAGE NO.	PART NO.	PART NAME	PAGE NO.
75447	Nipple	6-5	76157	Belt	5-4
75545	Adapter Assy.	1-8	76165	Alternator Assy.	5-4
75686	Elbow	1-8	76273	Bracket	5-1
75686	Elbow	2-3	76503	Sump Assy.	6-1
75722	Adapter Assy.	1-8	76529	Plug	1-1
75735	Tube	1-3	76703	Fuel Injector	6-5
75736	Tube	1-3	76734	Zip Strap	4-3
75738	Nipple	2-3	76808	Sump Assy.	6-1
75758	Tube Assy.	2-3	76923-48S70-63	Lead Assy.	4-3
75767	Tube	1-3	76923-48S90-63	Lead Assy.	4-3
75838	Guide	3-1	76923-48S110-63	Lead Assy.	4-3
75888	Stud	2-1	77194	Fuel Injector	6-5
75906	Gasket	3-7	77309	Bushing	1-7
75924	Shaftgear Assy.	2-13	77416	Plug	1-5
75944	Valve Assy.	2-7	77510	Housing Assy.	2-1
76026	Belt	5-4	77569	Seal	6-3
76028	Link	5-1	78290	Plunger Assy.	3-5
76110	Housing Assy.	2-1	78524	Socket	3-5
76111	Housing Assy.	2-1	78528	Body Assy.	2-5
76118	Spacer	1-5	78741	Pipe	6-3
76121	Shaft Assy.	1-5	78742	Pipe	6-3
76137	Housing Assy.	2-1	78743	Pipe	6-3
76138	Housing Assy.	2-1	78744	Pipe	6-3
76139	Housing Assy.	2-1	78914	Connection	6-1
76140	Housing Assy.	2-1	78915	Sump Assy.	6-1
76141	Housing Assy.	2-1	78981	Pipe	6-3
76142	Housing Assy.	2-1	78982	Pipe	6-3
76143	Housing Assy.	2-1	78983	Pipe	6-3
76144	Housing Assy.	2-1	78984	Pipe	6-3